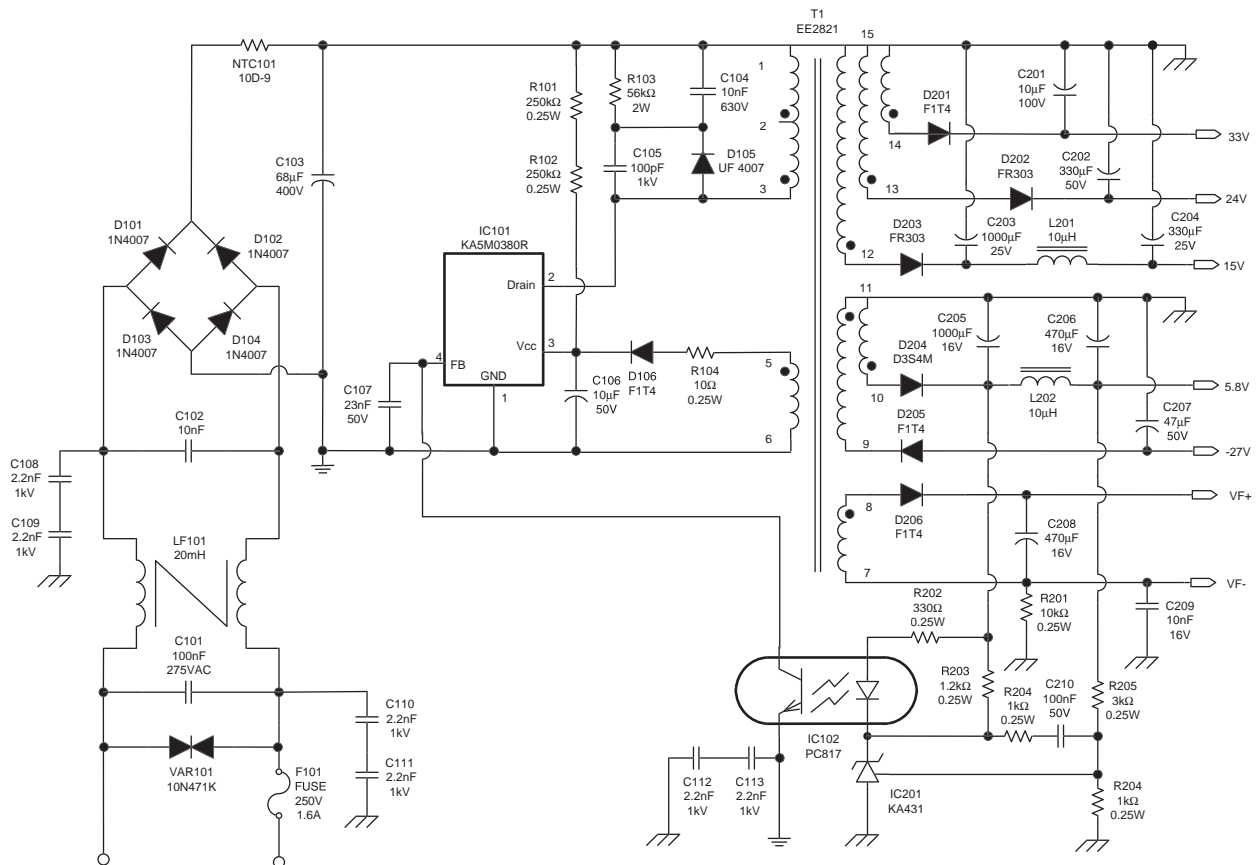


# AB-49 DVD Applications

## DV-30W-KA5M0380R – 30 Watts

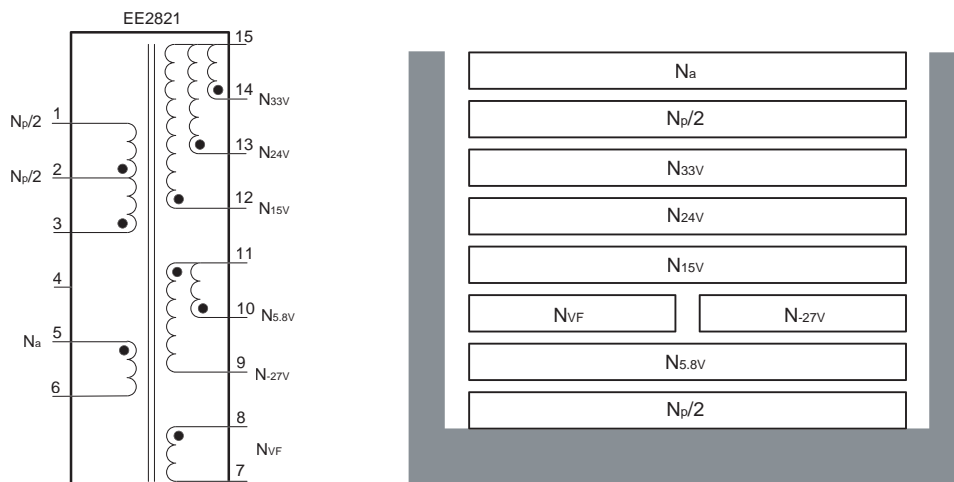
Application	FPS Device	Input Voltage Range	Rated Output Power	Output Voltage (Rated Current)
DVD Player	KA5M0380R	85–265 Vac	30W	+5.8V (0.1A) VFL +33V (0.01A) –27V (0.1A) +24V (0.5A) +15V (0.5A) +5.8V (1.2A)

### 1. Schematic Diagram



## 2. Transformer

### 2.1. Transformer Schematic Diagram



### 2.2. Winding Specification

	Pin (S → F)	Wire	Turns	Winding Method
$N_p/2$	3 → 2	0.25Φ x 1	22	Solenoid winding
Insulation: Polyester Tape t = 0.050mm, 3 Layers				
$N_{5.8V}$	10 → 11	0.4Φ x 2	3	Solenoid winding
Insulation: Polyester Tape t = 0.050mm, 1 Layers				
$N_{VF}$	7 → 8	0.3Φ x 1	3	Solenoid winding
$N_{-27V}$	9 → 11	0.3Φ x 1	14	Solenoid winding
Insulation: Polyester Tape t = 0.050mm, 1 Layers				
$N_{15V}$	12 → 15	0.4Φ x 1	7	Solenoid winding
Insulation: Polyester Tape t = 0.050mm, 1 Layers				
$N_{24V}$	13 → 15	0.4Φ x 1	12	Solenoid winding
Insulation: Polyester Tape t = 0.050mm, 1 Layers				
$N_{33V}$	14 → 15	0.3Φ x 1	15	Solenoid winding
Insulation: Polyester Tape t = 0.050mm, 3 Layers				
$N_p/2$	2 → 1	0.25Φ x 1	22	Solenoid winding
Insulation: Polyester Tape t = 0.050mm, 2 Layers				
$N_a$	5 → 6	0.3Φ x 1	10	Solenoid winding
Outer Insulation: Polyester Tape t = 0.050mm, 3 Layers				

Core: EE2821 ( $A_e = 97.5 \text{ mm}^2$ )

Bobbin: EE2821

### 2.3. Electrical Characteristics

	Pin	Spec.	Remark
Inductance	1-3	1 mH	1 kHz, 1V
Leakage	1-3	20 μH	Short all other pins

**TRADEMARKS**

The following are registered and unregistered trademarks Fairchild Semiconductor owns or is authorized to use and is not intended to be an exhaustive list of all such trademarks.

ACEx™	FAST®	IntelliMAX™	POP™	SPM™
ActiveArray™	FASTr™	ISOPLANAR™	Power247™	Stealth™
Bottomless™	FPS™	LittleFET™	PowerEdge™	SuperFET™
CoolFET™	FRFET™	MICROCOUPLER™	PowerSaver™	SuperSOT™-3
CROSSVOLT™	GlobalOptoisolator™	MicroFET™	PowerTrench®	SuperSOT™-6
DOME™	GTO™	MicroPak™	QFET®	SuperSOT™-8
EcoSPARK™	HiSeC™	MICROWIRE™	QS™	SyncFET™
E <sup>2</sup> C MOS™	PC™	MSX™	QT Optoelectronics™	TinyLogic®
EnSigna™	i-Lo™	MSXPro™	Quiet Series™	TINYOPTO™
FACT™	ImpliedDisconnect™	OCX™	RapidConfigure™	TruTranslation™
FACT Quiet Series™		OCXPro™	RapidConnect™	UHC™
Across the board. Around the world.™		OPTOLOGIC®	µSerDes™	UltraFET®
The Power Franchise®		OPTOPLANAR™	SILENT SWITCHER®	UniFET™
Programmable Active Droop™		PACMAN™	SMART START™	VCX™

**DISCLAIMER**

FAIRCHILD SEMICONDUCTOR RESERVES THE RIGHT TO MAKE CHANGES WITHOUT FURTHER NOTICE TO ANY PRODUCTS HEREIN TO IMPROVE RELIABILITY, FUNCTION OR DESIGN. FAIRCHILD DOES NOT ASSUME ANY LIABILITY ARISING OUT OF THE APPLICATION OR USE OF ANY PRODUCT OR CIRCUIT DESCRIBED HEREIN; NEITHER DOES IT CONVEY ANY LICENSE UNDER ITS PATENT RIGHTS, NOR THE RIGHTS OF OTHERS.

**LIFE SUPPORT POLICY**

FAIRCHILD'S PRODUCTS ARE NOT AUTHORIZED FOR USE AS CRITICAL COMPONENTS IN LIFE SUPPORT DEVICES OR SYSTEMS WITHOUT THE EXPRESS WRITTEN APPROVAL OF FAIRCHILD SEMICONDUCTOR CORPORATION. As used herein:

- |   |   |
|---|---|
| <p>1. Life support devices or systems are devices or systems which, (a) are intended for surgical implant into the body, or (b) support or sustain life, or (c) whose failure to perform when properly used in accordance with instructions for use provided in the labeling, can be reasonably expected to result in significant injury to the user.</p> | <p>2. A critical component is any component of a life support device or system whose failure to perform can be reasonably expected to cause the failure of the life support device or system, or to affect its safety or effectiveness.</p> |
|---|---|

**PRODUCT STATUS DEFINITIONS**

**Definition of Terms**

Datasheet Identification	Product Status	Definition
Advance Information	Formative or In Design	This datasheet contains the design specifications for product development. Specifications may change in any manner without notice.
Preliminary	First Production	This datasheet contains preliminary data, and supplementary data will be published at a later date. Fairchild Semiconductor reserves the right to make changes at any time without notice in order to improve design.
No Identification Needed	Full Production	This datasheet contains final specifications. Fairchild Semiconductor reserves the right to make changes at any time without notice in order to improve design.
Obsolete	Not In Production	This datasheet contains specifications on a product that has been discontinued by Fairchild semiconductor. The datasheet is printed for reference information only.

Rev. 115