

AB-50 LCD Monitor Applications

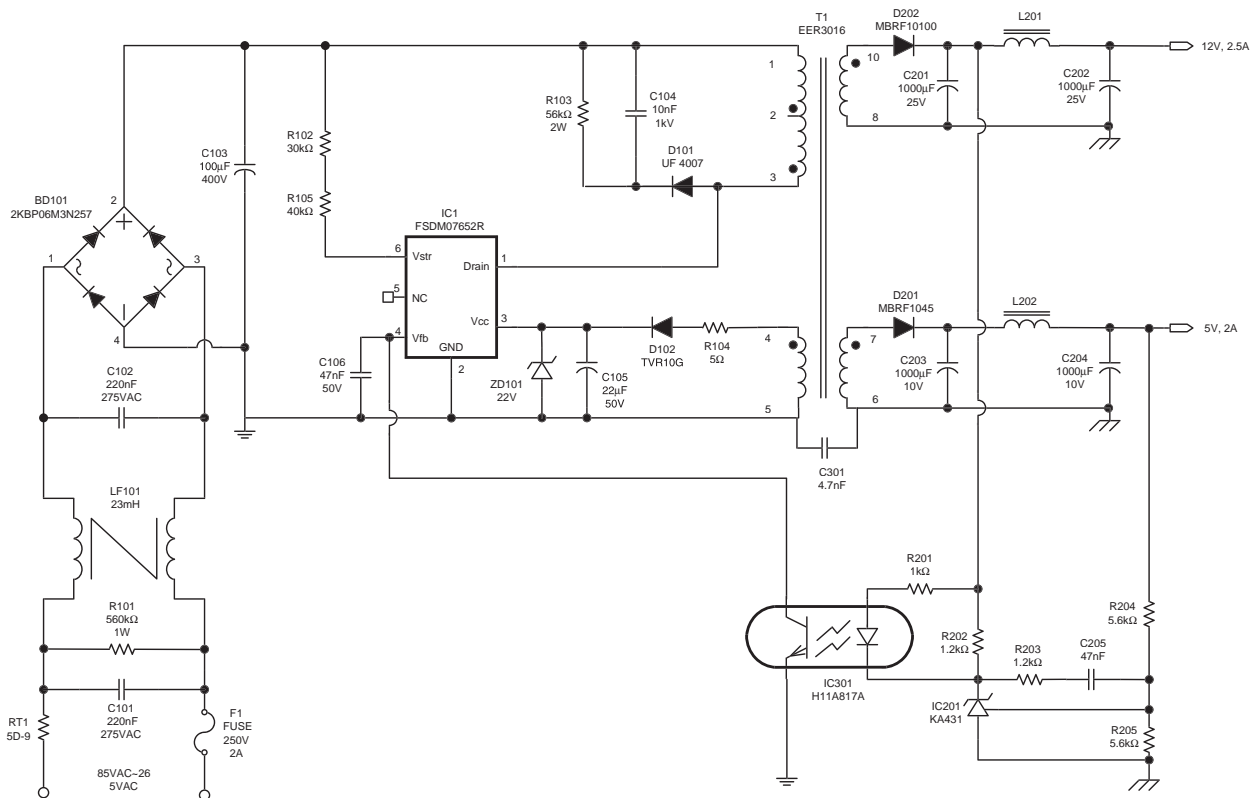
LC-40W-FSDM07652R – 40 Watts

Application	FPS Device	Input Voltage Range	Rated Output Power	Output Voltage (Rated Current)
LCD Monitor	FSDM07652R	85–265 Vac	40W	5V (2.0A) 12V (2.5A)

Features

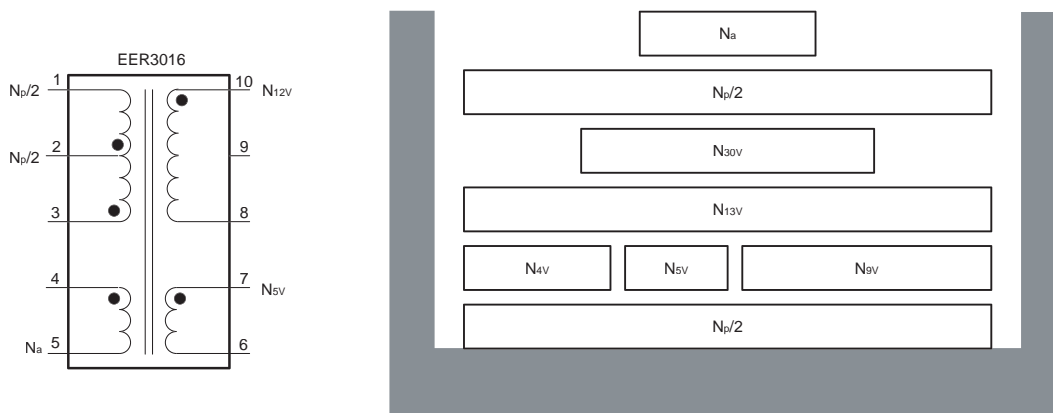
- Low power consumption in the standby (under 1W at 240Vac input and 5V/80mA output condition)
- High efficiency (>83%) with universal range input.
- Internal soft-start
- Various Protection functions against over load, over voltage, over current and over temperature.

1. Schematic Diagram



2. Transformer

2.1. Transformer Schematic Diagram



2.2. Winding Specification

	Pin (S → F)	Wire	Turns	Winding Method
N_a	4 → 5	0.2Φ x 1	8	Center Solenoid winding
Insulation: Polyester Tape t = 0.050mm, 2 Layers				
$N_{p/2}$	2 → 1	0.4Φ x 1	18	Solenoid winding
Insulation: Polyester Tape t = 0.050mm, 2 Layers				
N_{12V}	10 → 13	0.3Φ x 3 (TIW)	7	Center Solenoid winding
Insulation: Polyester Tape t = 0.050mm, 2 Layers				
N_{5V}	7 → 6	0.3Φ x 3 (TIW)	3	Center Solenoid winding
Insulation: Polyester Tape t = 0.050mm, 2 Layers				
$N_{p/2}$	3 → 2	0.4Φ x 1	18	Solenoid winding
Outer Insulation: Polyester Tape t = 0.050mm, 2 Layers				

Core: EER3016 ($A_e = 96 \text{ mm}^2$)

Bobbin: EER3016

2.3. Electrical Characteristics

	Pin	Spec.	Remark
Inductance	1–3	520 $\mu\text{H} \pm 10\%$	100 kHz, 1V
Leakage	1–3	10 μH Max.	Short all other pins

TRADEMARKS

The following are registered and unregistered trademarks Fairchild Semiconductor owns or is authorized to use and is not intended to be an exhaustive list of all such trademarks.

ACEx™	FAST®	IntelliMAX™	POP™	SPM™
ActiveArray™	FASTr™	ISOPLANAR™	Power247™	Stealth™
Bottomless™	FPS™	LittleFET™	PowerEdge™	SuperFET™
CoolFET™	FRFET™	MICROCOUPLER™	PowerSaver™	SuperSOT™-3
CROSSVOLT™	GlobalOptoisolator™	MicroFET™	PowerTrench®	SuperSOT™-6
DOME™	GTO™	MicroPak™	QFET®	SuperSOT™-8
EcoSPARK™	HiSeC™	MICROWIRE™	QS™	SyncFET™
E ² C MOS™	PC™	MSX™	QT Optoelectronics™	TinyLogic®
EnSigna™	i-Lo™	MSXPro™	Quiet Series™	TINYOPTO™
FACT™	ImpliedDisconnect™	OCX™	RapidConfigure™	TruTranslation™
FACT Quiet Series™		OCXPro™	RapidConnect™	UHC™
Across the board. Around the world.™		OPTOLOGIC®	µSerDes™	UltraFET®
The Power Franchise®		OPTOPLANAR™	SILENT SWITCHER®	UniFET™
Programmable Active Droop™		PACMAN™	SMART START™	VCX™

DISCLAIMER

FAIRCHILD SEMICONDUCTOR RESERVES THE RIGHT TO MAKE CHANGES WITHOUT FURTHER NOTICE TO ANY PRODUCTS HEREIN TO IMPROVE RELIABILITY, FUNCTION OR DESIGN. FAIRCHILD DOES NOT ASSUME ANY LIABILITY ARISING OUT OF THE APPLICATION OR USE OF ANY PRODUCT OR CIRCUIT DESCRIBED HEREIN; NEITHER DOES IT CONVEY ANY LICENSE UNDER ITS PATENT RIGHTS, NOR THE RIGHTS OF OTHERS.

LIFE SUPPORT POLICY

FAIRCHILD'S PRODUCTS ARE NOT AUTHORIZED FOR USE AS CRITICAL COMPONENTS IN LIFE SUPPORT DEVICES OR SYSTEMS WITHOUT THE EXPRESS WRITTEN APPROVAL OF FAIRCHILD SEMICONDUCTOR CORPORATION. As used herein:

1. Life support devices or systems are devices or systems which, (a) are intended for surgical implant into the body, or (b) support or sustain life, or (c) whose failure to perform when properly used in accordance with instructions for use provided in the labeling, can be reasonably expected to result in significant injury to the user.
2. A critical component is any component of a life support device or system whose failure to perform can be reasonably expected to cause the failure of the life support device or system, or to affect its safety or effectiveness.

PRODUCT STATUS DEFINITIONS

Definition of Terms

Datasheet Identification	Product Status	Definition
Advance Information	Formative or In Design	This datasheet contains the design specifications for product development. Specifications may change in any manner without notice.
Preliminary	First Production	This datasheet contains preliminary data, and supplementary data will be published at a later date. Fairchild Semiconductor reserves the right to make changes at any time without notice in order to improve design.
No Identification Needed	Full Production	This datasheet contains final specifications. Fairchild Semiconductor reserves the right to make changes at any time without notice in order to improve design.
Obsolete	Not In Production	This datasheet contains specifications on a product that has been discontinued by Fairchild semiconductor. The datasheet is printed for reference information only.

Rev. 115