

AN-8008

FMS6145 Evaluation Board Application Note

Description

The FMS6145 evaluation board provides a flexible base for evaluating the performance of the FMS6145. The board operates from a standard supply voltage of +5V ±5%.

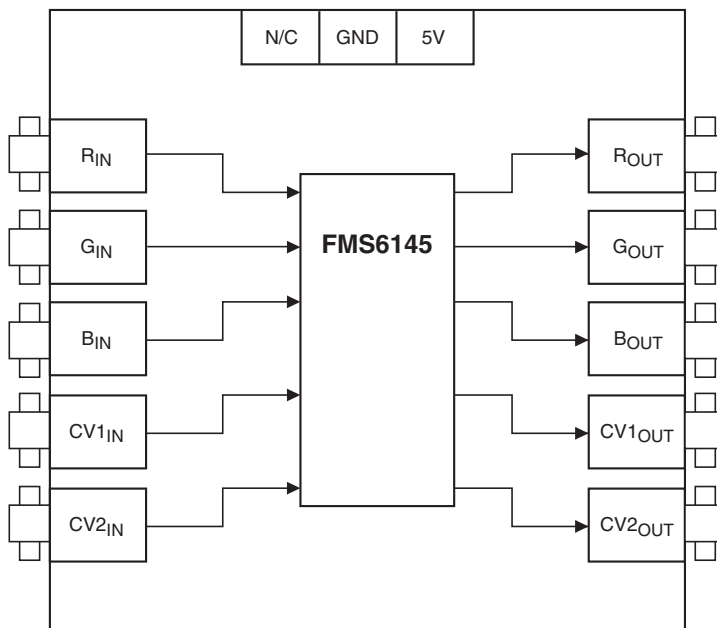
The FMS6145 Low Cost Video Filter (LCVF) is intended to replace passive LC filters and drivers with a low-cost integrated device. Five 4th order filters provide improved image quality compared to typical 2nd and 3rd order passive solutions.

Applications

- Cable set top boxes
- Satellite set top boxes
- DVD players
- Personal Video Recorders (PVR)
- Video On Demand (VOD)

For a complete description of the FMS6145 please refer to the FMS6145 data sheet.

Evaluation Board Block Diagram



Evaluation Kit Contents

The FMS6145 Evaluation Kit contains the following items:

- AN-8008 – FMS6145 Evaluation Board Application Note
- The latest revision of the FMS6145 data sheet, which also can be obtained from <http://www.fairchildsemi.com>.
- Fully functional FMS6145 eval board
- Female power connector

Board Setup and Test

Use the following procedure to verify that the FMS6145 eval board is functional. This only verifies functionality. These instructions do not test any parameters outlined in the datasheet. The following test equipment is necessary to test the FMS6145 eval board.

- One power supply +5V \pm 5%, 250mA
- One high resolution CRT monitor (2 channel with RGB)
- One NTSC or PAL video signal source capable of generating necessary outputs (RGB, Y, C & Composite)
- One video measurement set (VM700)
- Assorted video cables

DO NOT turn on power supply until all connections are completed.

1. Set the power supply to 5.0V. Connect the power supply to the input voltage terminals of the evaluation board.
2. Connect the R_{OUT} signal from the signal source to the R_{IN} connector on the FMS6145 eval board.
3. Connect the G_{OUT} signal from the signal source to the G_{IN} connector on the FMS6145 eval board.
4. Connect the B_{OUT} signal from the signal source to the B_{IN} connector on the FMS6145 eval board.
5. Connect R_{IN} of the monitor to the R_{OUT} connector on the FMS6145 eval board.
6. Connect G_{IN} of the monitor to the G_{OUT} connector on the FMS6145 eval board.
7. Connect B_{IN} of the monitor to the B_{OUT} connector on the FMS6145 eval board.
8. Turn on the power supply.
9. Verify monitor is setup to receive RGB signals.
10. Verify test pattern that is produced from the generator is the same as the pattern on the monitor screen.
11. Turn off the power supply
12. Connect CV_{OUT} of the monitor to the CV_{1IN} connector on the FMS6145 eval board.
13. Connect CV_{IN} of the monitor to the CV_{1OUT} connector on the FMS6145 eval board.
14. Turn on the power supply.
15. Verify monitor is setup to receive composite video.
16. Verify test pattern that is produced from the generator is the same as the pattern on the monitor screen.
17. Turn off the power supply.
18. Connect CV_{OUT} of the monitor to the CV_{2IN} connector on the FMS6145 eval board.
19. Connect CV_{IN} of the monitor to the CV_{2OUT} connector on the FMS6145 eval board.
20. Turn on the power supply.
21. Verify monitor is setup to receive composite video (if not done previously).
22. Verify test pattern that is produced from the generator is the same as the pattern on the monitor screen.
23. Functional test is now complete.

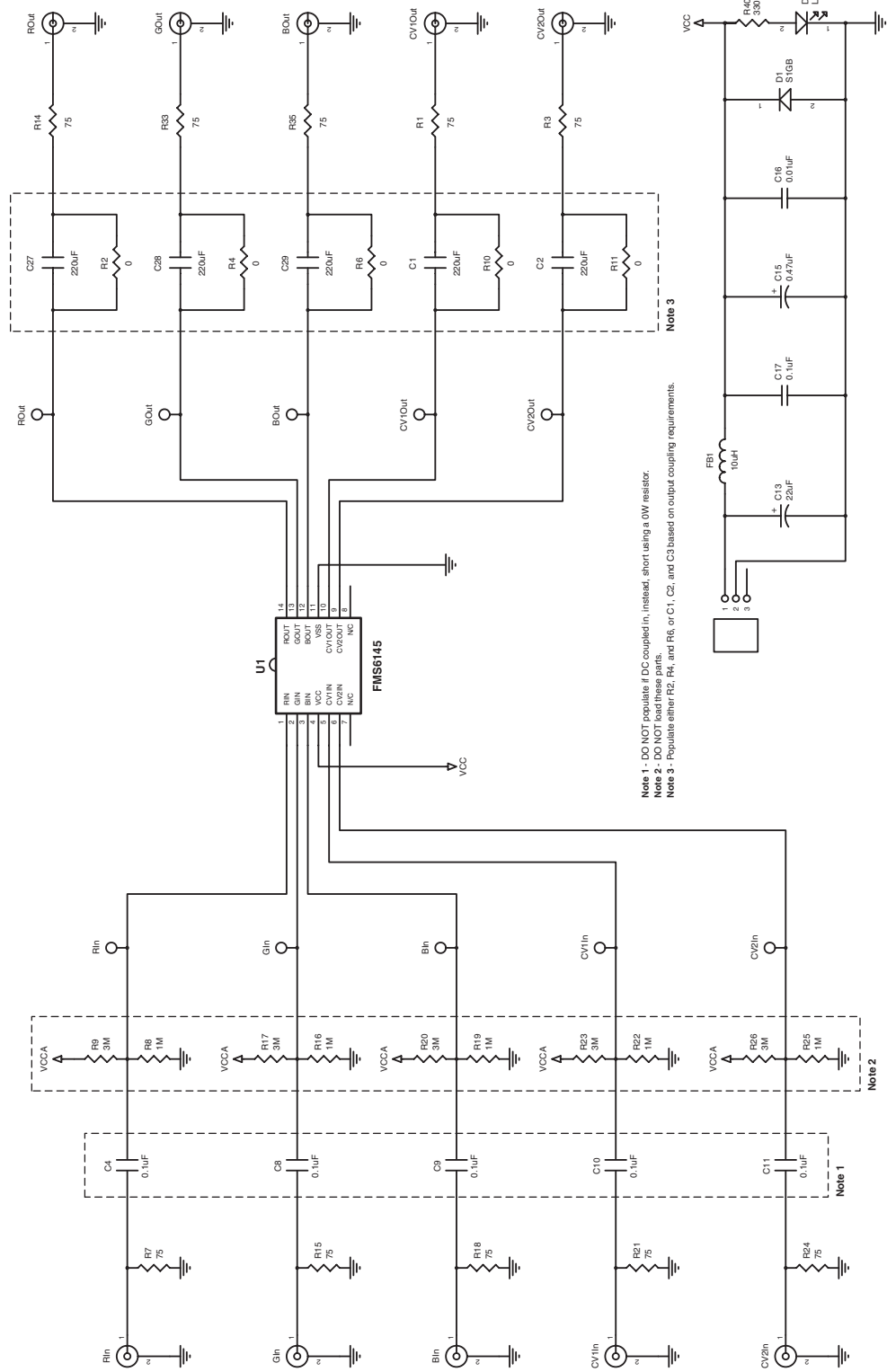


Figure 1. FMS6145 Schematic Diagram

Bill of Materials

Item	Quantity	Reference	Part
1	10	CV1OUT, CV1IN, CV2OUT, CV2IN, ROUT, RIN, GOUT, GIN, BOUT, BIN	BNC Connectors
2	5	C1, C2, C27, C28, C29	220 μ F
3	6	C4, C8, C9, C10, C11, C17	0.1 μ F
4	1	C13	22 μ F
5	1	C15	0.47 μ F
6	1	C16	0.01 μ F
7	1	D1	S1GB
8	1	D2	LED
9	1	FB1	10 μ H
10	1	JP1	PWRCON3
11	10	R1, R3, R7, R14, R15, R18, R21, R24, R33, R35	75 Ω
12	5	R2, R4, R6, R10, R11	0 Ω
13	5	R8, R16, R19, R22, R25	1M Ω
14	5	R9, R17, R20, R23, R26	3M Ω
15	1	R40	330 Ω
16	1	U1	FMS6145

Applications

The FMS6145 may be directly driven by a DC-coupled DAC output or an AC-coupled signal. Internal diode clamps and bias circuitry may be used if AC-coupled inputs are required. The outputs can drive AC or DC-coupled single (150 Ω) or dual (75 Ω) loads. DC-coupling the output removes the need for output coupling capacitors. The input DC levels will be offset approximately +280mV at the output. The FMS6145 Low Cost Video Filter (LCVF) provides 6dB gain from input to output. In addition, the input will be slightly offset to optimize the output driver performance. The FMS6145 provides an internal diode clamp to support AC-coupled input signals. If the input signal does not go below ground, the input clamp will not operate. This allows DAC outputs to directly drive the FMS6145 without an AC coupling capacitor (usually 220 μ F). The offset is held to the minimum required value to decrease the standing DC current into the load.

Layout Considerations

General layout and supply bypassing play major roles in high frequency performance and thermal characteristics. The FMS6145DEMO board is a 4-layer board with a full power and ground plane. Following this layout configuration will provide the optimum performance and thermal characteristics. For optimum results, follow the steps below as a basis for high frequency layout.

- Include 10 μ F and 0.1 μ F ceramic bypass capacitors
- Place the 10 μ F capacitor within 0.75 inches of the power pin
- Place the 0.1 μ F capacitor within 0.1 inches of the power pin
- For multi-layer boards, use a large ground plane to help dissipate heat
- For 2 layer boards, use a ground plane that extends beyond the device by at least 0.5 inches
- Minimize all trace lengths to reduce series inductance

TRADEMARKS

The following are registered and unregistered trademarks Fairchild Semiconductor owns or is authorized to use and is not intended to be an exhaustive list of all such trademarks.

ACEx™	FAST®	ISOPLANAR™	PowerSaver™	SuperSOT™-8
ActiveArray™	FASTr™	LittleFET™	PowerTrench®	SyncFET™
Bottomless™	FPST™	MICROCOUPLER™	QFET®	TinyLogic®
Build it Now™	FRFET™	MicroFET™	QS™	TINYOPTO™
CoolFET™	GlobalOptoisolator™	MicroPak™	QT Optoelectronics™	TruTranslation™
CROSSVOLT™	GTO™	MICROWIRE™	Quiet Series™	UHC™
DOMET™	HiSeC™	MSX™	RapidConfigure™	UltraFET®
EcoSPARK™	I ² C™	MSXPro™	RapidConnect™	UniFET™
E ² CMOS™	i-Lo™	OCX™	µSerDes™	VCX™
EnSigna™	ImpliedDisconnect™	OCXPro™	SILENT SWITCHER®	Wire™
FACT™	IntelliMAX™	OPTOLOGIC®	SMART START™	
FACT Quiet Series™		OPTOPLANAR™	SPM™	
Across the board. Around the world.™		PACMAN™	Stealth™	
The Power Franchise®		POP™	SuperFET™	
Programmable Active Droop™		Power247™	SuperSOT™-3	
		PowerEdge™	SuperSOT™-6	

DISCLAIMER

FAIRCHILD SEMICONDUCTOR RESERVES THE RIGHT TO MAKE CHANGES WITHOUT FURTHER NOTICE TO ANY PRODUCTS HEREIN TO IMPROVE RELIABILITY, FUNCTION OR DESIGN. FAIRCHILD DOES NOT ASSUME ANY LIABILITY ARISING OUT OF THE APPLICATION OR USE OF ANY PRODUCT OR CIRCUIT DESCRIBED HEREIN; NEITHER DOES IT CONVEY ANY LICENSE UNDER ITS PATENT RIGHTS, NOR THE RIGHTS OF OTHERS.

LIFE SUPPORT POLICY

FAIRCHILD'S PRODUCTS ARE NOT AUTHORIZED FOR USE AS CRITICAL COMPONENTS IN LIFE SUPPORT DEVICES OR SYSTEMS WITHOUT THE EXPRESS WRITTEN APPROVAL OF FAIRCHILD SEMICONDUCTOR CORPORATION. As used herein:

- | | |
|---|---|
| <p>1. Life support devices or systems are devices or systems which, (a) are intended for surgical implant into the body, or (b) support or sustain life, or (c) whose failure to perform when properly used in accordance with instructions for use provided in the labeling, can be reasonably expected to result in significant injury to the user.</p> | <p>2. A critical component is any component of a life support device or system whose failure to perform can be reasonably expected to cause the failure of the life support device or system, or to affect its safety or effectiveness.</p> |
|---|---|

PRODUCT STATUS DEFINITIONS

Definition of Terms

Datasheet Identification	Product Status	Definition
Advance Information	Formative or In Design	This datasheet contains the design specifications for product development. Specifications may change in any manner without notice.
Preliminary	First Production	This datasheet contains preliminary data, and supplementary data will be published at a later date. Fairchild Semiconductor reserves the right to make changes at any time without notice in order to improve design.
No Identification Needed	Full Production	This datasheet contains final specifications. Fairchild Semiconductor reserves the right to make changes at any time without notice in order to improve design.
Obsolete	Not In Production	This datasheet contains specifications on a product that has been discontinued by Fairchild semiconductor. The datasheet is printed for reference information only.

Rev. 116