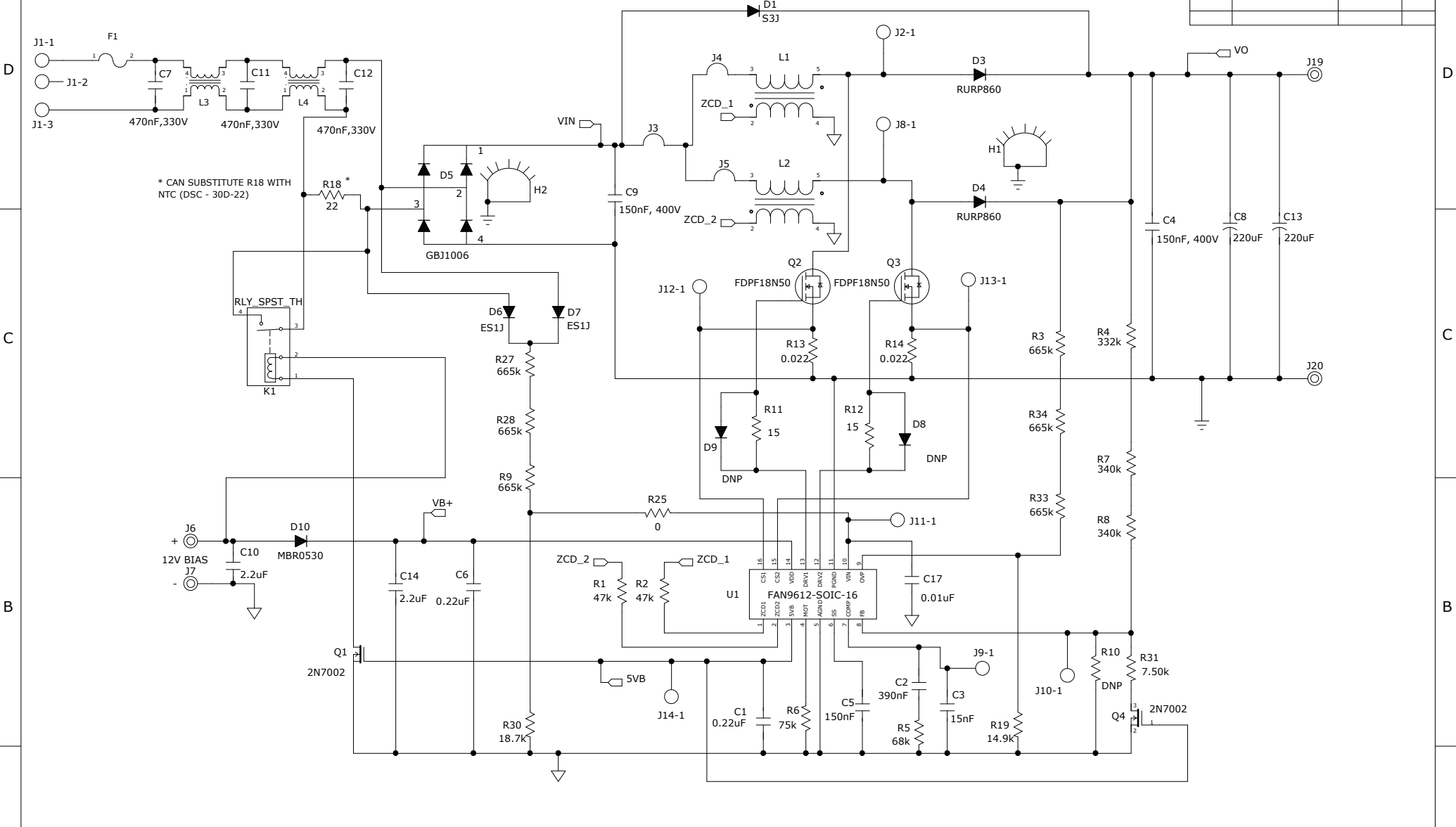


REVISION RECORD			
LTR	ECO NO:	APPROVED	DATE:



* CAN SUBSTITUTE R18 WITH NTC (DSC - 30D-22)

COMPANY: FAIRCHILD SEMICONDUCTOR			
TITLE: FAN9612 400W EVALUATION BOARD			
DATED: 3/6/09		SIZE: C	DRAWING NO: 9612 System Board.sch
SCALE: 1:1		REV: E	SHEET: 1 OF 1