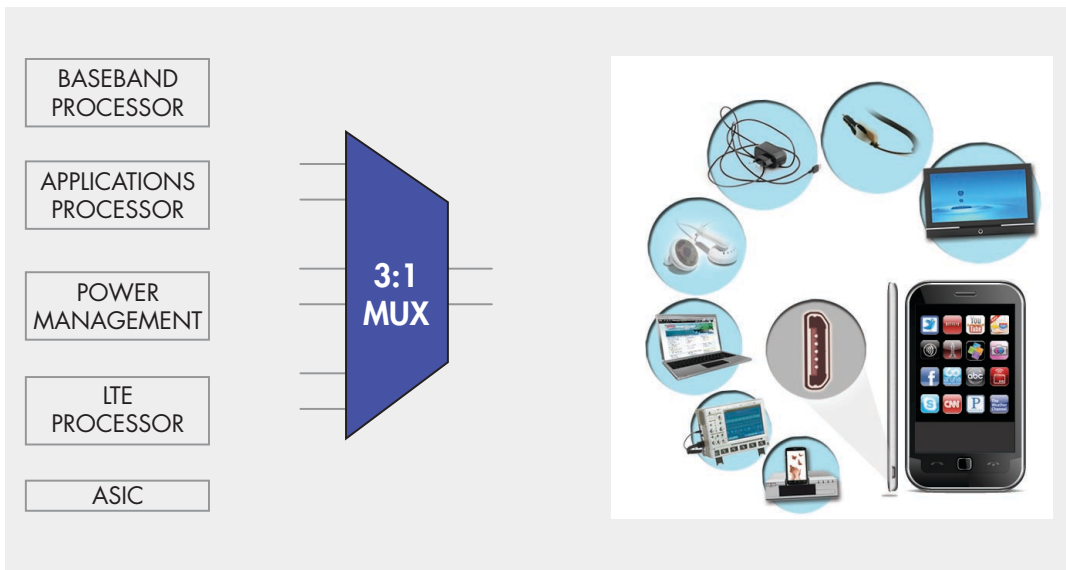


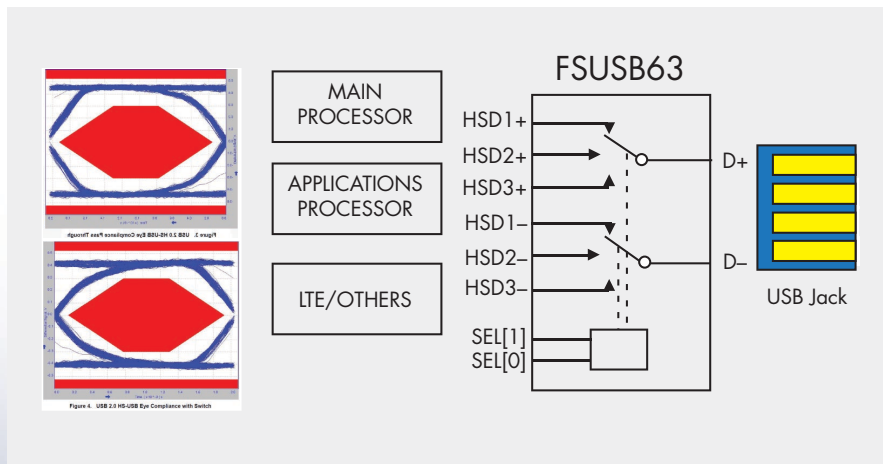
# 3:1 ANALOG SWITCH PRODUCTS

## Fairchild's Offering

Fairchild's new DP3T switches have been designed specifically for mobile devices. These 3:1 analog switches are ideal solutions for multiplexing one port with multiple data source inputs including HS USB data, FS USB data, UART and audio. Fairchild provides optimized solutions for various combinations of data and audio sources without losing the signal fidelity.



*Differentiate Mobile Designs with Fairchild's DP3T Switches*



*FSUSB63 is the First 3:1 HS USB Switch/Multiplexer  
6pF On Capacitance in a UMLP-12 1.8mm x 1.8mm Package*

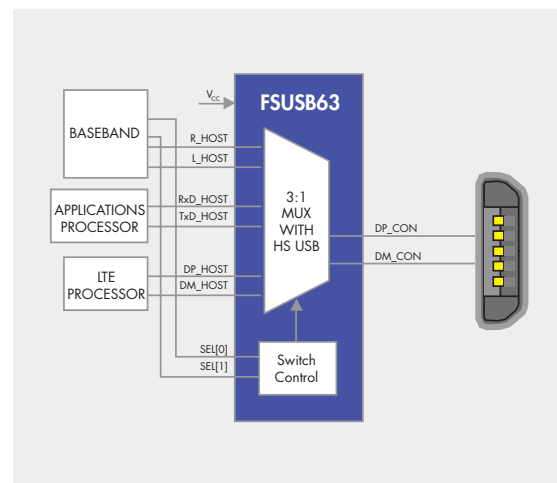
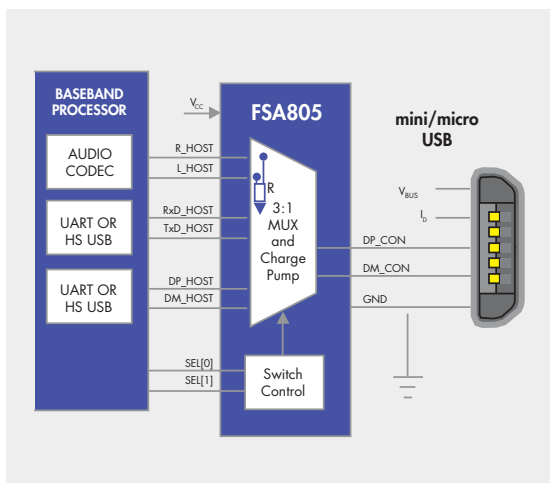
For data sheets, application notes, samples and more, please visit: [www.fairchildsemi.com](http://www.fairchildsemi.com)

### 3:1 Selection Guide

Product Number	FSUSB63	FSUSB63 FSA805	FSUSB63 FSA805	FSUSB63 FSA805	FSA805	FSA800 FSA805 FSA9280A	FSA800 FSA805 FSA9280A
Path 1	HS USB	HS USB	HS USB	FS USB/UART	HS USB	HS USB	FS USB/UART
Path 2	HS USB	FS USB/UART	HS USB	FS USB/UART	HS USB	FS USB/UART	FS USB/UART
Path 3	HS USB	FS USB/UART	FS USB/UART	FS USB/UART	Audio	Audio	Audio

\* FSA800 has included charger detect and OVT(Over Voltage Tolerance) on  $V_{BUS}$  line

\*\* FSA9280A has included charger and accessory detect and OVP, OCP functions



Functional Block Diagrams

Product Number	Function	$V_{CC}$ (V)	$R_{ON}$ ( $\Omega$ )	$C_{ON}$ (pf)	BW (MHz)	Package
FSA800UMX	Multimedia	2.7 to 4.4	3	7	720	UMLP-16 2.6mm x 1.8mm, 0.4mm pitch
FSA805UMX	Multimedia	2.7 to 4.4	3	7	720	UMLP-12 1.8mm x 1.8mm, 0.4mm pitch
FSA9280AUMX	Multimedia	3.3 to 4.4	3	8	720	UMLP-20 3mm x 4mm, 0.5mm pitch
FSUSB63UMX	Pure HS USB	2.7 to 4.3	6	6	830	UMLP-12 1.8mm x 1.8mm, 0.4mm pitch