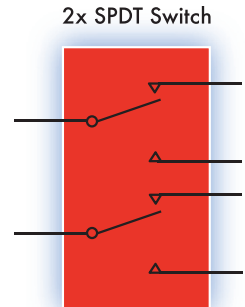




Fairchild's 2x SPDT, Low R_{ON} Audio Switches

High Performance Audio and Enhanced Noise Suppression Features

Fairchild's **2x SPDT, Low R_{ON} Audio Switches** have been developed to enhance the audio experience by lessening the probability of audio popping. They include some of the latest features available, including a termination resistor, providing a slow turn-on time and enabling negative swing capability.



Termination Resistors (T)

ensure that unselected ports are discharged to ground, to remove one source of audio pop. They also guarantee off-isolation of an unselected port regardless of input levels on other I/O ports.

Power Off Protection

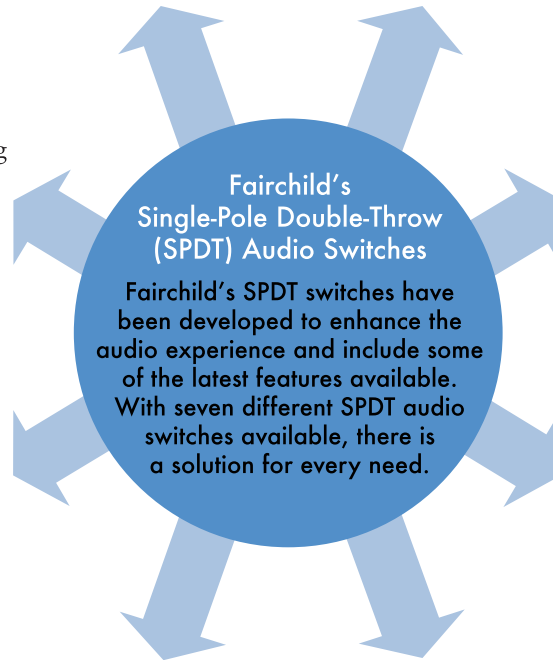
Fairchild's power off protection ensures power down off isolation. This feature is advantageous during system power-up and down sequencing when an input signal is powered on before the Analog switch and to power off the switch to protect against transient noise.

Negative Swing Capability

allows for direct connection of an OV bias audio amplifier to speakers, eliminating the need for AC coupling capacitors. In addition to improving audio performance, this feature also **saves money** on AC-coupling capacitors and **frees board space** that would otherwise be utilized by these capacitors.

Low ICCT

Fairchild's Low I_{CCT} features allows for a direct connection to low voltage control signals (1.8V), while maintaining the industries lowest power consumption (4X less than competition).



Superior ESD Protection

Often times switches are placed at the edge of the board and in direct contact with the audio connector. Switches with robust ESD characteristics help protect the system components from damage. Fairchild's Analog Switches lead the market with switches that perform at 13.5kV (I/O to GND) and 16kV (V_{CC} to GND).

Low R_{ON}

Fairchild's SPDT audio switches all provide a low R_{ON} feature, with some as low as 0.35 ohm.

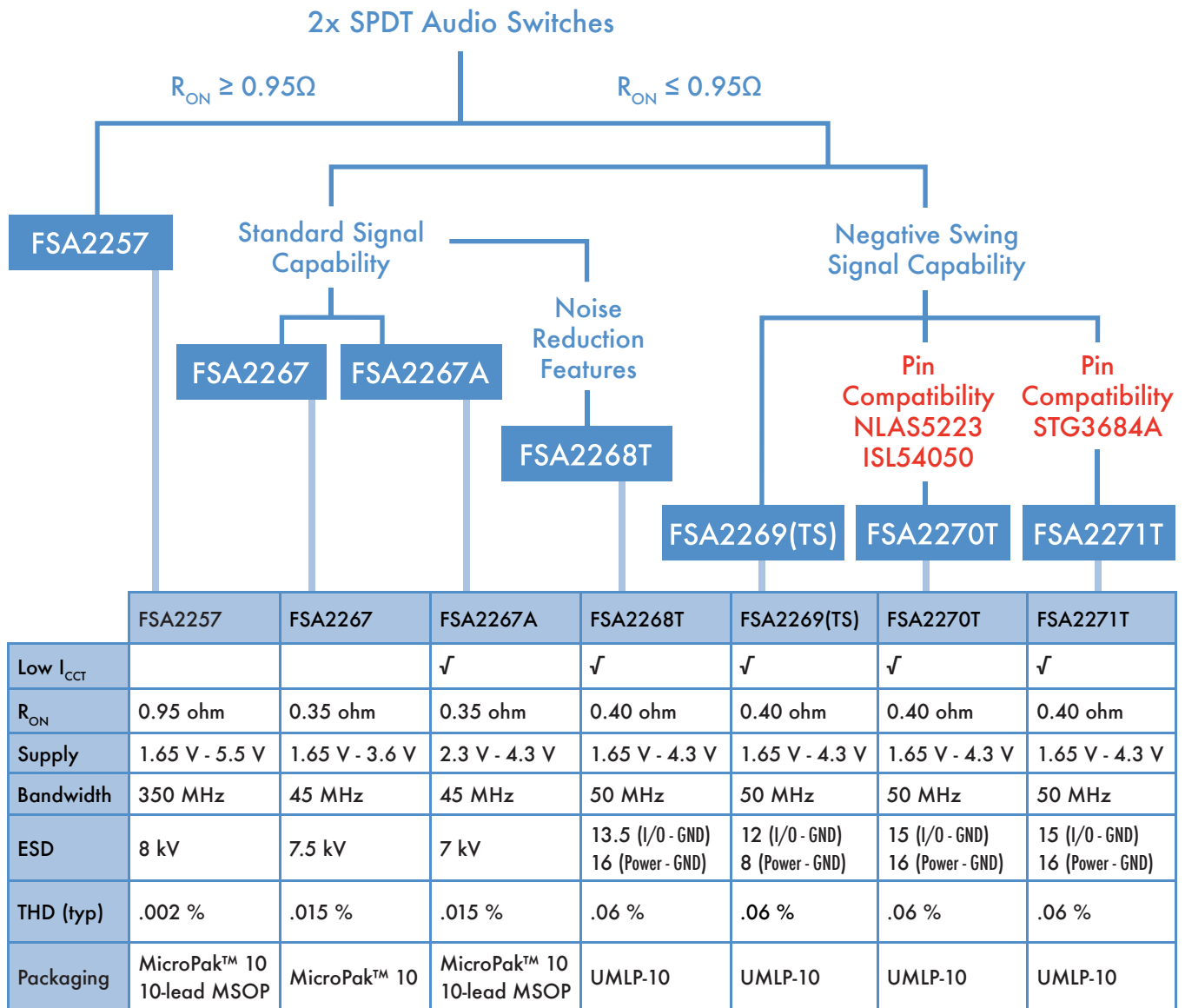
Slow Turn On (S)

helps reduce audio pop by limiting sudden voltage changes across the switch, allowing AC-coupling capacitors to slowly equalize. The "S" in a part number indicates the presence of a slow turn on feature.

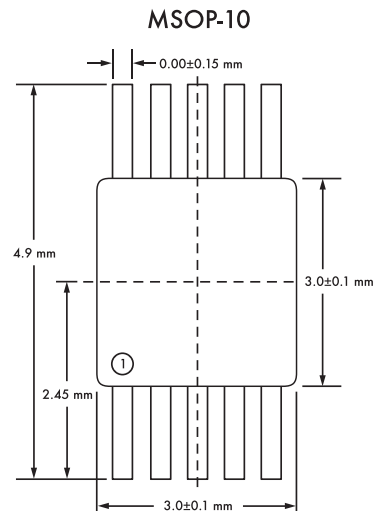
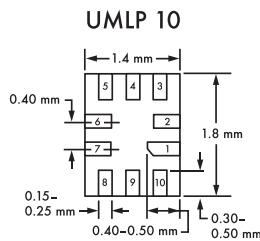
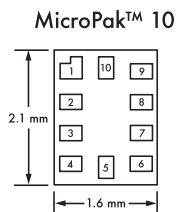
Packaging Choices

Fairchild's SPDT audio switches are available in a variety of 10-lead packaging options to accommodate a variety of designs and applications. Options include, MicroPak™, MSOP, and UMLP.

Which Fairchild 2x SPDT Audio Switch is right for your needs?



Packaging Information



Additional information available at:
www.fairchildsemi.com/analogswitch