

## FAN4800AU/CU PFC/ PWM Controller Combination

### Features

- Pin-to-Pin Compatible with ML4800, FAN4800, CM6800, and CM6800A
- PWM Configurable for Current-Mode or Feed-Forward Voltage-Mode Operation
- Internally Synchronized Leading-Edge PFC and Trailing-Edge PWM in One IC
- Low Operating Current
- Innovative Switching-Charge Multiplier Divider
- Average-Current-Mode for Input-Current Shaping
- PFC Over-Voltage and Under-Voltage Protections
- PFC Feedback Open-Loop Protection
- Cycle-by-Cycle Current Limiting for PFC/PWM
- Power-on Sequence Control and Soft-Start
- Line Sagging Protection
- $f_{RTCT}=4 \cdot f_{PFC}=4 \cdot f_{PWM}$  for FAN4800AU
- $f_{RTCT}=4 \cdot f_{PFC}=2 \cdot f_{PWM}$  for FAN4800CU

### Applications

- Desktop PC Power Supply
- Internet Server Power Supply
- LCD TV/ Monitor Power Supply
- UPS
- Battery Charger
- DC Motor Power Supply
- Monitor Power Supply
- Telecom System Power Supply
- Distributed Power

### Related Resources

- [AN-8027 — FAN480X PFC+PWM Combination Controller Application](#)

### Description

The highly integrated FAN4800AU/CU parts are specially designed for power supplies that consist of boost PFC and PWM. They require very few external components to achieve versatile protections and compensation. They are available in 16-pin DIP and SOP packages.

The PWM can be used in current or Voltage Mode. In Voltage Mode, feed-forward from the PFC output bus can reduce secondary output ripple.

To evaluate FAN4800AU/CU for replacing existing FAN4800A/C, FAN4800AS/CS, old version FAN4800 and ML4800 boards, six things must be completed before the fine-tuning procedure:

1. Change  $R_{AC}$  resistor from the old value to a higher resistor value:  $6M\Omega$  to  $8M\Omega$ .
2. Change RT/CT pin from the existing values to  $R_T=6.8K\Omega$  and  $C_T=1000pF$  to have  $f_{PFC}=64kHz$  and  $f_{PWM}=64kHz$ .
3. The VRMS pin needs to be 1.224V at  $V_{IN}=85V_{AC}$  for universal input application with line input from  $85V_{AC}$  to  $270 V_{AC}$ .
4. Change ISENSE pin filter from the exiting values to  $R_{Filter}=51\Omega$  and  $C_{Filter}=0.01\mu F$  for higher bandwidth.
5. At full load, the average  $V_{VEA}$  must be  $\sim 4.5V$  and ripple on  $V_{VEA}$  needs to be less than 400mV.
6. For the SS pin, the soft-start current has been reduced to half the FAN4800 capacitor.

There are two differences from FAN4800AS/CS to FAN4800AU/CU:

- Add Line Sagging Protection
- Fix Inductance Current Instability during AC Cycle Drop Test

### Ordering Information

Part Number	Operating Temperature Range	PFC:PWM Frequency Ratio	Package	Packing Method
FAN4800AUN	-40°C to +105°C	1:1	16-Pin Dual Inline Package (DIP)	Tube
FAN4800CUN		1:2		
FAN4800AUM		1:1	16-Pin Small Outline Package (SOP)	Tape & Reel
FAN4800CUM		1:2		

### Block Diagram

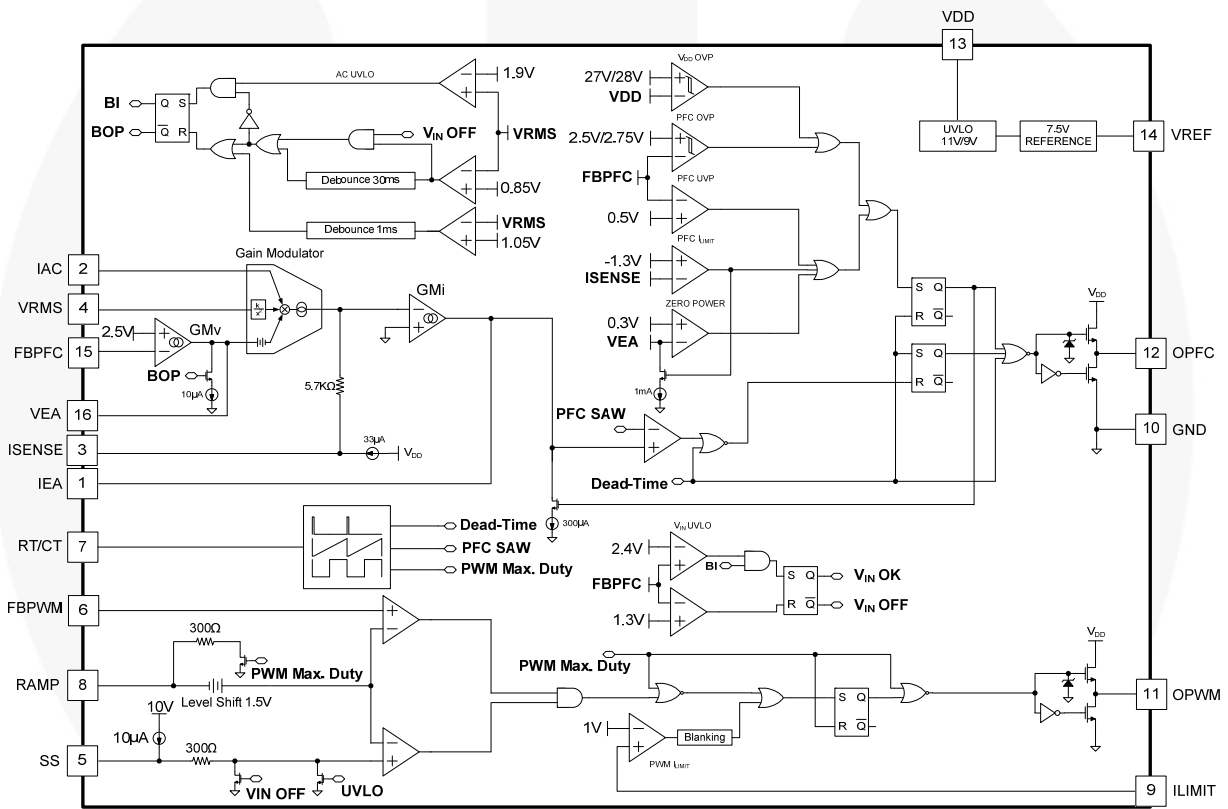


Figure 1. Function Block Diagram

Application Diagrams

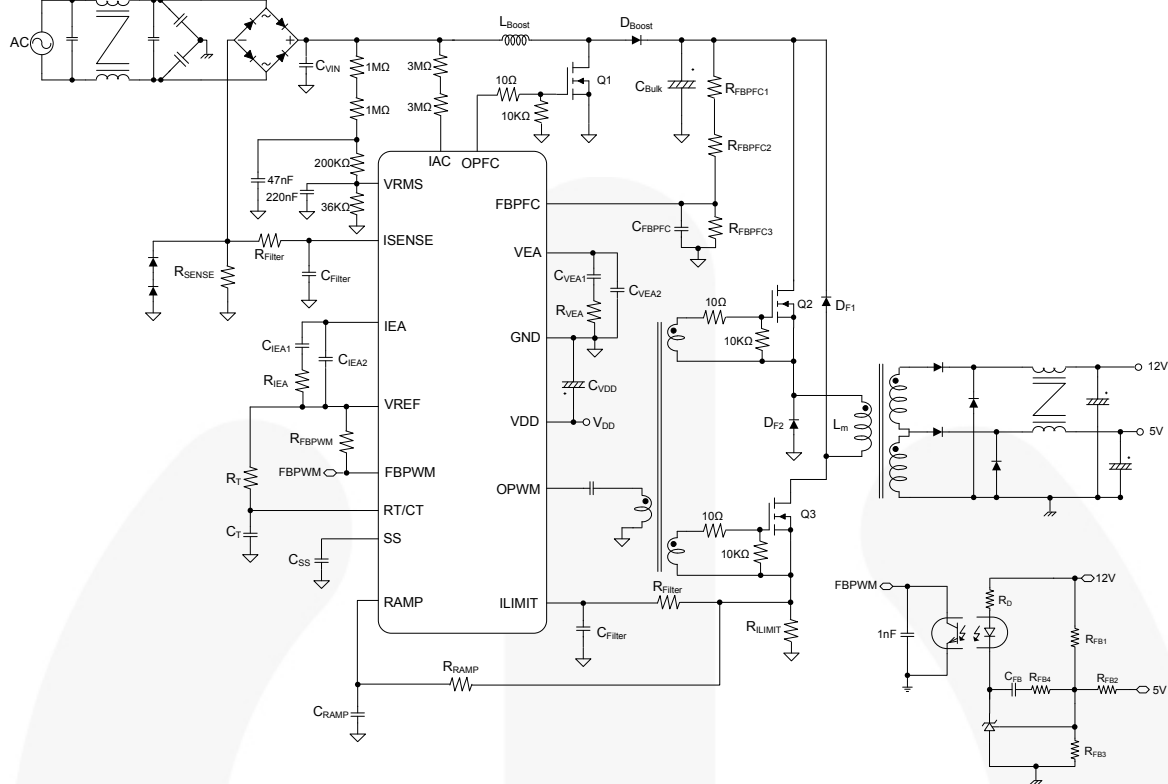


Figure 2. Current Mode

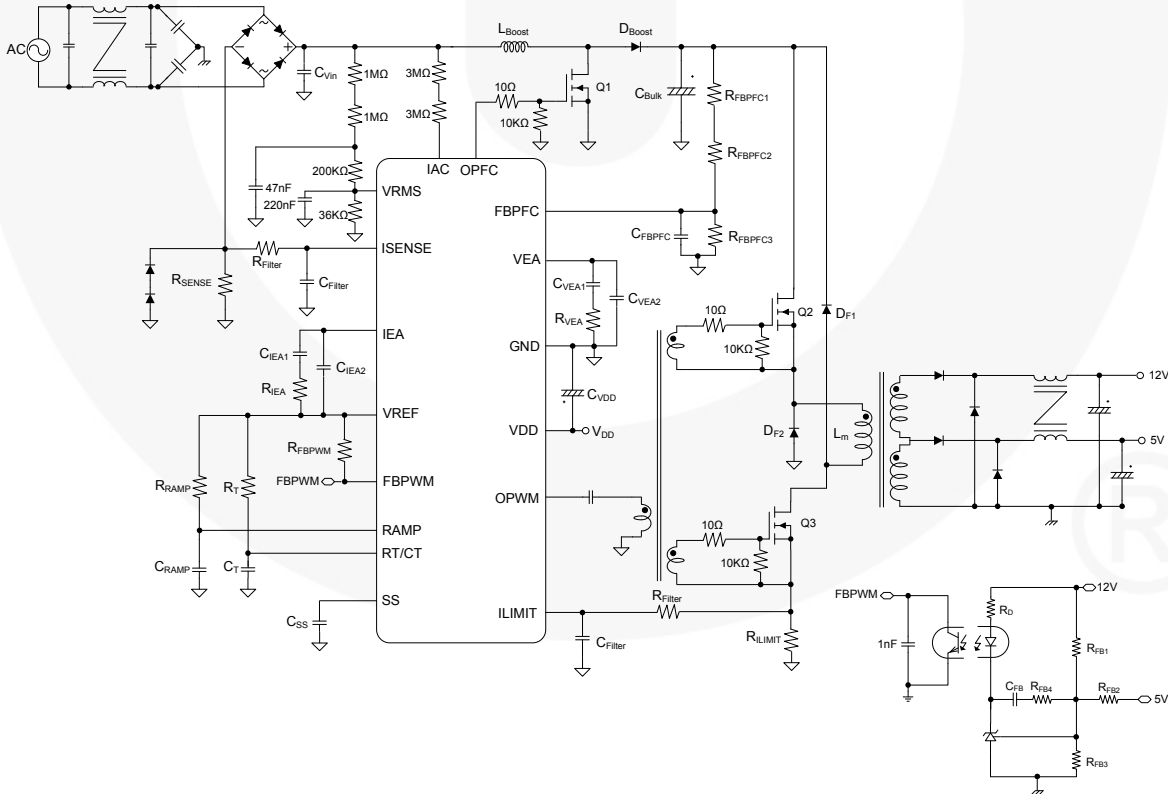


Figure 3. Voltage Mode

## Marking Information

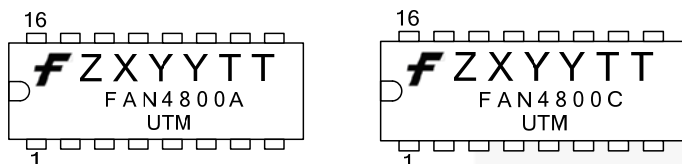


Figure 4. DIP Top Mark

- F – Fairchild Logo
- Z – Plant Code
- X – 1-Digit Year Code
- YY – 2-Digit Week Code
- TT – 2-Digit Die-Run Code
- T – Package Type (N:DIP)
- M – Manufacture Flow Code

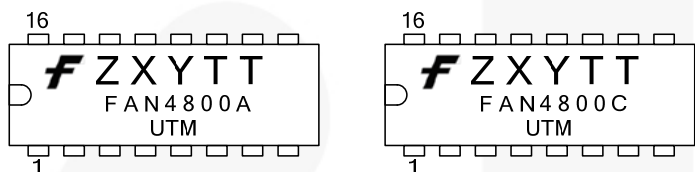


Figure 5. SOP Top Mark

- F – Fairchild Logo
- Z – Plant Code
- X – 1-Digit Year Code
- Y – 1-Digit Week Code
- TT – 2-Digit Die-Run Code
- T – Package Type (M:SOP)
- M – Manufacture Flow Code

## Pin Configuration

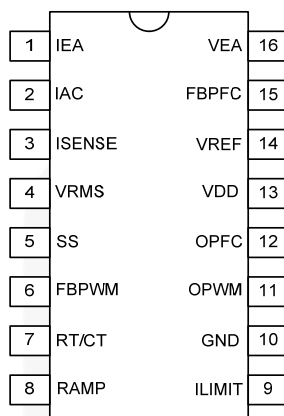


Figure 6. Pin Configuration (Top View)

## Pin Definitions

Pin #	Name	Description
1	IEA	<b>Output of PFC Current Amplifier.</b> The signal from this pin is compared with an internal sawtooth to determine the pulse width for the PFC gate drive.
2	IAC	<b>Input AC Current.</b> For normal operation, this input provides a current reference for the multiplier. The suggested maximum $I_{AC}$ is 65 $\mu$ A.
3	ISENSE	<b>PFC Current Sense.</b> The inverting input of the PFC current amplifier and the output of multiplier and PFC $I_{LIMIT}$ comparator.
4	VRMS	<b>Line-Voltage Detection.</b> The pin is used for the PFC multiplier.
5	SS	<b>PWM Soft-Start.</b> During startup, the SS pin charges an external capacitor with a 10 $\mu$ A constant current source. The voltage on FBPWM is clamped by SS during startup. If a protection condition occurs and/or PWM is disabled, the SS pin is quickly discharged.
6	FBPWM	<b>PWM Feedback Input.</b> The control input for voltage-loop feedback of PWM stage.
7	RT/CT	<b>Oscillator RC Timing Connection.</b> Oscillator timing node; timing set by $R_T$ and $C_T$ .
8	RAMP	<b>PWM RAMP Input.</b> In Current Mode, this pin functions as the current-sense input. In Voltage Mode, it is the feed-forward sense input from PFC output 380V (feed-forward ramp).
9	ILIMIT	<b>Peak Current Limit Setting for PWM.</b> The peak current limit setting for PWM.
10	GND	<b>Ground</b>
11	OPWM	<b>PWM Gate Drive.</b> The totem-pole output drive for the PWM MOSFET. This pin is internally clamped under 19V to protect the MOSFET.
12	OPFC	<b>PFC Gate Drive.</b> The totem-pole output drive for PFC MOSFET. This pin is internally clamped under 15V to protect the MOSFET.
13	VDD	<b>Supply.</b> The power supply pin. The threshold voltages for startup and turn-off are 11V and 9.3V, respectively. The operating current is lower than 10mA.
14	VREF	<b>Reference Voltage.</b> Buffered output for the internal 7.5V reference.
15	FBPFC	<b>Voltage Feedback Input for PFC.</b> The feedback input for PFC voltage loop. The inverting input of PFC error amplifier. This pin is connected to the PFC output through a divider network.
16	VEA	<b>Output of PFC Voltage Amplifier.</b> The error amplifier output for PFC voltage feedback loop. A compensation network is connected between this pin and ground.

## Absolute Maximum Ratings

Stresses exceeding the absolute maximum ratings may damage the device. The device may not function or be operable above the recommended operating conditions and stressing the parts to these levels is not recommended. In addition, extended exposure to stresses above the recommended operating conditions may affect device reliability. The absolute maximum ratings are stress ratings only.

Symbol	Parameter	Min.	Max.	Unit
V <sub>DD</sub>	DC Supply Voltage		30	V
V <sub>H</sub>	Voltage on SS, FBPWM, RAMP, VREF Pins	-0.3	30.0	V
V <sub>PFC-OUT</sub>	Voltage on OPFC Pin		V <sub>DD</sub> +0.3V	V
V <sub>PWM-OUT</sub>	Voltage on OPWM Pin		V <sub>DD</sub> +0.3V	V
V <sub>L</sub>	Voltage on IAC, VRMS, RT/CT, ILIMIT, FBPFC, VEA Pins	-0.3	7.0	V
V <sub>IEA</sub>	Voltage on IEA Pin	0	V <sub>VREF</sub> +0.3	V
V <sub>N</sub>	Voltage on ISENSE Pin	-5.0	0.7	V
I <sub>AC</sub>	Input AC Current		1	mA
I <sub>REF</sub>	VREF Output Current		5	mA
I <sub>PFC-OUT</sub>	Peak PFC OUT Current, Source or Sink		0.5	A
I <sub>PWM-OUT</sub>	Peak PWM OUT Current, Source or Sink		0.5	A
P <sub>D</sub>	Power Dissipation T <sub>A</sub> < 50°C		800	mW
Θ <sub>JA</sub>	Thermal Resistance (Junction to Air)	DIP	80.80	°C/W
		SOP	104.10	
Θ <sub>JC</sub>	Thermal Resistance (Junction to Case)	DIP	35.38	°C/W
		SOP	40.41	
T <sub>J</sub>	Operating Junction Temperature	-40	+125	°C
T <sub>STG</sub>	Storage Temperature Range	-55	+150	°C
T <sub>L</sub>	Lead Temperature(Soldering)		+260	°C
ESD	Electrostatic Discharge Capability	Human Body Model, JESD22-A114	6.0	kV
		Charged Device Model, JESD22-C101	2.0	

### Notes:

- All voltage values, except differential voltage, are given with respect to GND pin.
- Stresses beyond those listed under Absolute Maximum Ratings may cause permanent damage to the device.

## Recommended Operating Conditions

The Recommended Operating Conditions table defines the conditions for actual device operation. Recommended operating conditions are specified to ensure optimal performance to the datasheet specifications. Fairchild does not recommend exceeding them or designing to Absolute Maximum Ratings.

Symbol	Parameter	Min.	Max.	Unit
T <sub>A</sub>	Operating Ambient Temperature	-40	+105	°C

## Electrical Characteristics

Unless otherwise noted,  $V_{DD}=15V$ ,  $T_A=25^\circ C$ ,  $T_A=T_J$ ,  $R_T=6.8k\Omega$ , and  $C_T=1000pF$ .

Symbol	Parameter	Condition	Min.	Typ.	Max.	Unit
<b>V<sub>DD</sub> Section</b>						
$I_{DD-ST}$	Startup Current	$V_{DD}=V_{TH-ON}-0.1V$ , OPFC OPWM Open		30	80	$\mu A$
$I_{DD-OP}$	Operating Current	$V_{DD}=13V$ , OPFC OPWM Open	2.0	2.6	5.0	mA
$V_{TH-ON}$	Turn-on Threshold Voltage		10	11	12	V
$\Delta V_{TH}$	Hysteresis		1.3		1.9	V
$V_{DD-OVP}$	$V_{DD}$ OVP		27	28	29	V
$\Delta V_{DD-OVP}$	$V_{DD}$ OVP Hysteresis			1		V
<b>Oscillator</b>						
$f_{OSC-RT/CT}$	RT/CT Frequency		240	256	268	kHz
$f_{OSC}$	PFC & PWM Frequency	$R_T=6.8k\Omega$ , $C_T=1000pF$	60	64	67	kHz
	FAN4800CU PWM Frequency		120	128	134	
$f_{DV}$	Voltage Stability <sup>(3)</sup>	$11V \leq V_{DD} \leq 22V$			2	%
$f_{DT}$	Temperature Stability <sup>(3)</sup>	$-40^\circ C \sim +105^\circ C$			2	%
$f_{TV}$	Total Variation (PFC & PWM) <sup>(3)</sup>	Line, Temperature	58		70	kHz
$f_{RV}$	Ramp Voltage	Valley to Peak		2.8		V
$I_{OSC-DIS}$	Discharge Current	$V_{RAMP}=0V$ , $V_{RT/CT}=2.5V$	6.5		15.0	mA
$f_{RANGE}$	Frequency Range		50		75	kHz
$t_{PFC-DEAD}$	PFC Dead Time	$R_T=6.8k\Omega$ , $C_T=1000pF$	400	600	800	ns
<b>V<sub>VREF</sub></b>						
$V_{VREF}$	Reference Voltage	$I_{VREF}=0mA$ , $C_{VREF}=0.1\mu F$	7.4	7.5	7.6	V
$\Delta V_{VREF1}$	Load Regulation of Reference Voltage	$C_{VREF}=0.1\mu F$ , $I_{VREF}=0mA$ to 3.5mA $V_{DD}=14V$ , Rise/Fall Time > 20 $\mu s$		30	50	mV
$\Delta V_{VREF2}$	Line Regulation of Reference Voltage	$C_{VREF}=0.1\mu F$ , $V_{DD}=11V$ to 22V			25	mV
$\Delta V_{VREF-DT}$	Temperature Stability <sup>(3)</sup>	$-40^\circ C \sim +105^\circ C$		0.4	0.5	%
$\Delta V_{VREF-TV}$	Total Variation <sup>(3)</sup>	Line, Load, Temperature	7.35		7.65	V
$\Delta V_{VREF-LS}$	Long-Term Stability <sup>(3)</sup>	$T_J=125^\circ C$ , 0 ~ 1000 Hours	5		25	mV
$I_{VREF-MAX.}$	Maximum Current	$V_{VREF} > 7.35V$	5			mA
<b>PFC OVP Comparator</b>						
$V_{PFC-OVP}$	Over-Voltage Protection		2.70	2.75	2.80	V
$\Delta V_{PFC-OVP}$	PFC OVP Hysteresis		200	250	300	mV
<b>Low-Power Detect Comparator</b>						
$V_{VEAOFF}$	VEA Voltage OFF OPFC		0.2	0.3	0.4	V
<b>V<sub>IN</sub> OK Comparator</b>						
$V_{RD-FBPFC}$	Voltage Level on FBPFC to Enable OPWM During Startup		2.3	2.4	2.5	V
$\Delta V_{RD-FBPFC}$	Hysteresis		1.0	1.1	1.2	V

Continued on the following page...

**Electrical Characteristics** (Continued)Unless otherwise noted,  $V_{DD}=15V$ ,  $T_A=25^\circ C$ ,  $T_A=T_J$ ,  $R_T=6.8k\Omega$ , and  $C_T=1000pF$ .

Symbol	Parameter	Condition	Min.	Typ.	Max.	Unit
<b>Voltage Error Amplifier</b>						
$V_{REF}$	Reference Voltage		2.45	2.50	2.55	V
$A_V$	Open-Loop Gain <sup>(3)</sup>		35	42		dB
$G_{m_V}$	Transconductance	$V_{NONINV}=V_{INV}$ , $V_{VEA}=3.75V$	50	70	90	$\mu mho$
$I_{FBPFC-L}$	Maximum Source Current	$V_{FBPFC}=2V$ , $V_{VEA}=1.5V$	40	50		$\mu A$
$I_{FBPFC-H}$	Maximum Sink Current	$V_{FBPFC}=3V$ , $V_{VEA}=6V$		-50	-40	$\mu A$
$I_{BS}$	Input Bias Current		-1		1	$\mu A$
$V_{VEA-H}$	Output High Voltage on $V_{VEA}$		5.8	6.0		V
$V_{VEA-L}$	Output Low Voltage on $V_{VEA}$			0.1	0.4	V
<b>Current Error Amplifier</b>						
$G_{m_I}$	Transconductance	$V_{NONINV}=V_{INV}$ , $V_{IEA}=3.75V$	70	88	105	$\mu mho$
$V_{OFFSET}$	Input Offset voltage	$V_{VEA}=0V$ , IAC Open	-10		10	mV
$V_{IEA-H}$	Output High Voltage		6.8	7.4	7.8	V
$V_{IEA-L}$	Output Low Voltage			0.1	0.4	V
$I_L$	Source Current	$V_{ISENSE} = -0.6V$ , $V_{IEA}=1.5V$	35	50		$\mu A$
$I_H$	Sink Current	$V_{ISENSE} = +0.6V$ , $V_{IEA}=4.0V$		-50	-35	$\mu A$
$A_I$	Open-Loop Gain <sup>(3)</sup>		40	50		dB
<b>TriFault Detect™</b>						
$t_{FBPFC-OPEN}$	Time to FBPFC Open	$V_{FBPFC}=V_{PFC-UVP}$ to FBPFC OPEN, 470pF from FBPFC to GND		2	4	ms
$V_{PFC-UVP}$	PFC Feedback Under-Voltage Protection		0.4	0.5	0.6	V
<b>Gain Modulator</b>						
$I_{AC}$	Input for AC Current <sup>(3)</sup>	Multiplier Linear Range	0		65	$\mu A$
GAIN	Gain Modulator <sup>(4)</sup>	$I_{AC}=17.67\mu A$ , $V_{RMS}=1.080V$ $V_{FBPFC}=2.25V$		7.94		
		$I_{AC}=20\mu A$ , $V_{RMS}=1.224V$ $V_{FBPFC}=2.25V$		7.02		
		$I_{AC}=25.69\mu A$ , $V_{RMS}=1.585V$ $V_{FBPFC}=2.25V$		4.18		
		$I_{AC}=51.62\mu A$ , $V_{RMS}=3.169V$ $V_{FBPFC}=2.25V$		1.05		
		$I_{AC}=62.23\mu A$ , $V_{RMS}=3.803V$ $V_{FBPFC}=2.25V$		0.73		
BW	Bandwidth <sup>(3)</sup>	$I_{AC}=40\mu A$			2	kHz
$V_{O(gm)}$	Output Voltage=5.7k $\Omega$ $\times$ ( $I_{SENSE}-I_{OFFSET}$ )	$I_{AC}=50\mu A$ , $V_{RMS}=1.224V$ $V_{FBPFC}=2.25V$	0.76	0.80	0.84	V
<b>PFC <math>I_{LIMIT}</math> Comparator</b>						
$V_{PFC-ILIMIT}$	Peak Current Limit Threshold Voltage, Cycle-by-Cycle Limit		-1.2	-1.3	-1.4	V
$\Delta V_{PK}$	PFC $I_{LIMIT}$ -Gain Modulator Output	$I_{AC}=17.67\mu A$ , $V_{RMS}=1.08V$ $V_{FBPFC}=2.25V$	400			mV

Continued on the following page...

**Electrical Characteristics** (Continued)Unless otherwise noted,  $V_{DD}=15V$ ,  $T_A=25^{\circ}C$ ,  $T_A=T_J$ ,  $R_T=6.8k\Omega$ , and  $C_T=1000pF$ .

Symbol	Parameter	Condition	Min.	Typ.	Max.	Unit
<b>PFC Output Driver</b>						
$V_{GATE-CLAMP}$	Gate Output Clamping Voltage	$V_{DD}=22V$	13	15	17	V
$V_{GATE-L}$	Gate Low Voltage	$V_{DD}=15V$ , $I_O=100mA$			1.5	V
$V_{GATE-H}$	Gate High Voltage	$V_{DD}=13V$ , $I_O=100mA$	8			V
$t_R$	Gate Rising Time	$V_{DD}=15V$ , $C_L=4.7nF$ , O/P= 2V to 9V	40	70	120	ns
$t_F$	Gate Falling Time	$V_{DD}=15V$ , $C_L=4.7nF$ , O/P=9V to 2V	40	60	110	ns
$D_{PFC-MAX}$	Maximum Duty Cycle	$V_{IEA}<1.2V$	94	97		%
$D_{PFC-MIN}$	Minimum Duty Cycle	$V_{IEA}>4.5V$			0	%
<b>PWM <math>I_{LIMIT}</math> Comparator</b>						
$V_{PWM-ILIMIT}$	Threshold Voltage		0.95	1.00	1.05	V
$t_{PD}$	Propagation Delay to Output			250		ns
$t_{PWM-BNK}$	Leading-Edge Blanking Time		170	250	350	ns
<b>PWM Output Driver</b>						
$V_{GATE-CLAMP}$	Gate Output Clamping Voltage	$V_{DD}=22V$	18	19	20	V
$V_{GATE-L}$	Gate Low Voltage	$V_{DD}=15V$ , $I_O=100mA$			1.5	V
$V_{GATE-H}$	Gate High Voltage	$V_{DD}=13V$ , $I_O=100mA$	8			V
$t_R$	Gate Rising Time	$V_{DD}=15V$ , $C_L=4.7nF$ , O/P=2V to 9V	30	60	120	ns
$t_F$	Gate Falling Time	$V_{DD}=15V$ , $C_L=4.7nF$ , O/P=9V to 2V	30	50	110	ns
$D_{PWM-MAX}$	Maximum Duty Cycle		49.0	49.5	50.0	%
$V_{PWM-LS}$	PWM Comparator Level Shift		1.3	1.5	1.8	V
<b>Soft-Start</b>						
$V_{SS-MAX}$	Maximum Voltage	$V_{DD}=15V$	9.5	10.0	10.5	V
$I_{SS}$	Soft-Start Current			10		$\mu A$
<b>Brownout</b>						
$V_{RMS-UVL}$	VRMS Threshold LOW		1.00	1.05	1.10	V
$V_{RMS-UVH}$	VRMS Threshold HIGH		1.85	1.90	1.95	V
$\Delta V_{RMS-UVP}$	Hysteresis		750	850	950	mV
$t_{UVP}$	Under- Voltage Protection Delay		750	1000	1250	ms
<b>Sagging Protection</b>						
$V_{RMS-SAG}$	VRMS Threshold SAG LOW		0.80	0.85	0.90	V
$t_{SAG}$	SAG Protection Delay		28	33	38	ms

**Notes:**

- This parameter, although guaranteed by design, is not 100% production tested.
- This gain is the maximum gain of modulation with a given  $V_{RMS}$  voltage when  $V_{VEA}$  is saturated to HIGH.

## Typical Characteristics

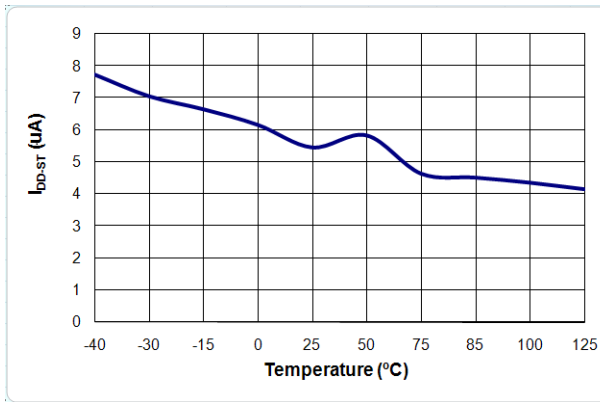


Figure 7. I<sub>DD-ST</sub> vs. Temperature

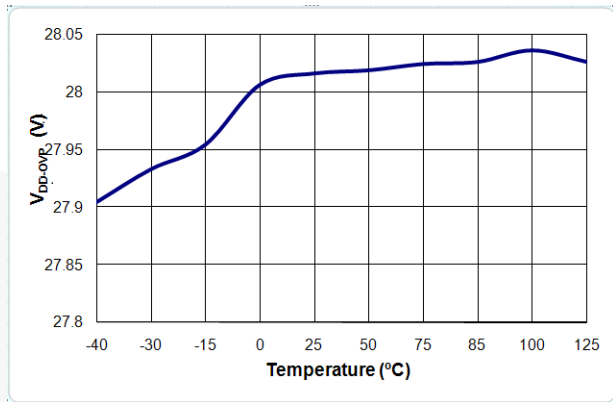


Figure 8. V<sub>DD-OVP</sub> vs. Temperature

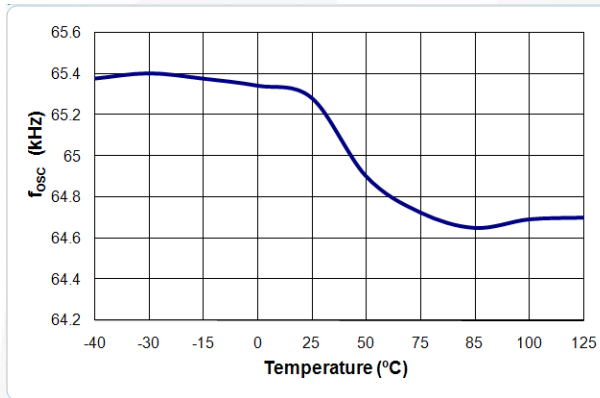


Figure 9. f<sub>osc</sub> vs. Temperature

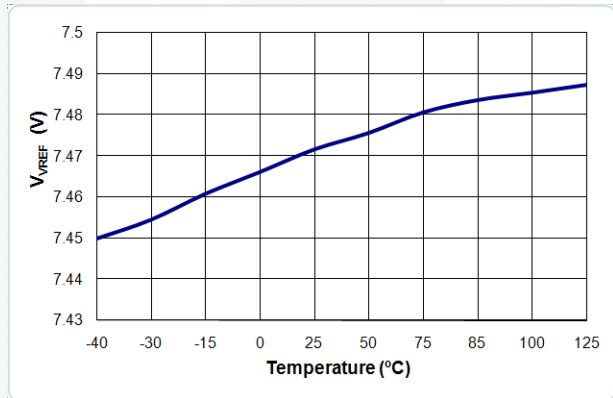


Figure 10. V<sub>VREF</sub> vs. Temperature

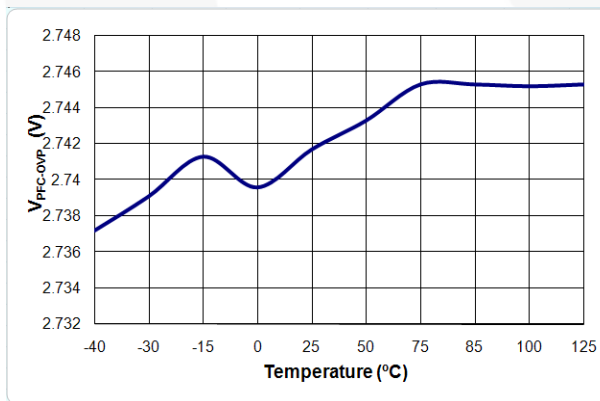


Figure 11. V<sub>PFC-OVP</sub> vs. Temperature

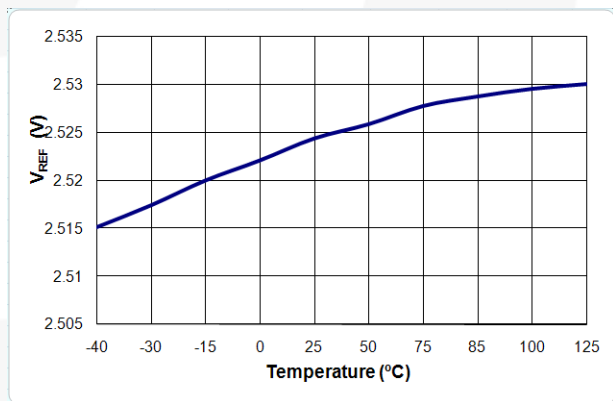


Figure 12. V<sub>REF</sub> vs. Temperature

## Typical Characteristics

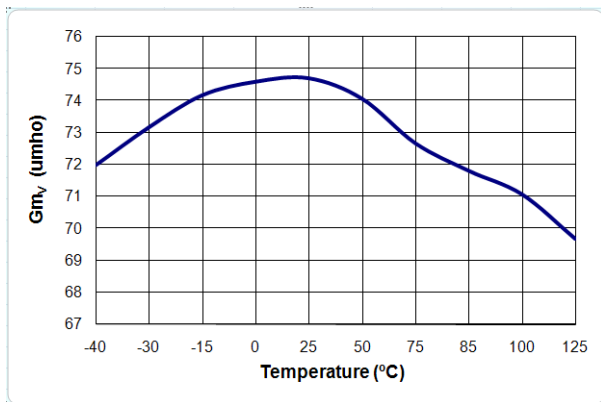


Figure 13. Gm<sub>V</sub> vs. Temperature

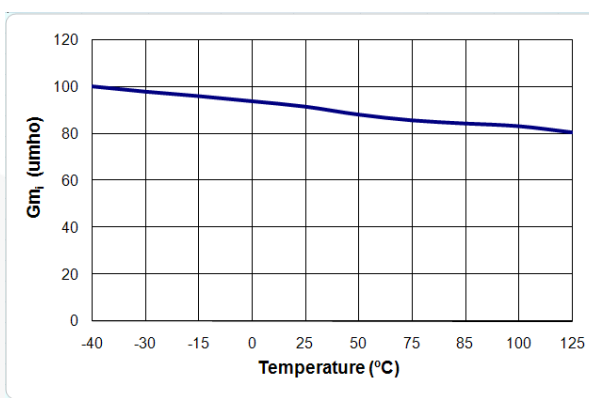


Figure 14. Gm<sub>I</sub> vs. Temperature

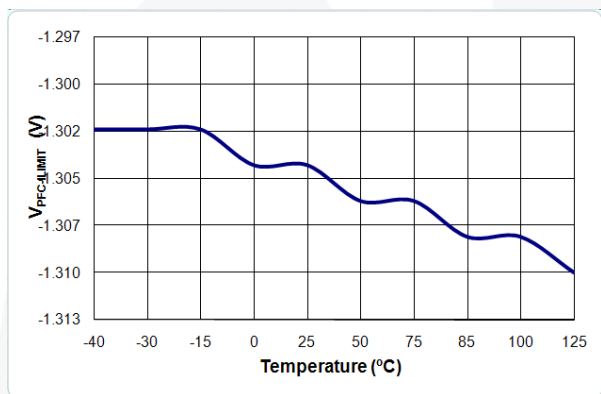


Figure 15. V<sub>PFC-ILIMIT</sub> vs. Temperature

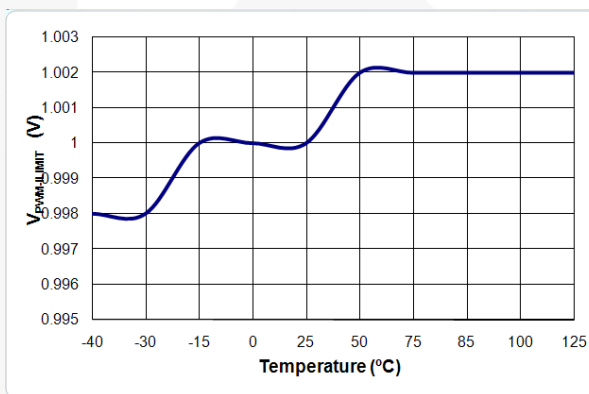


Figure 16. V<sub>PWM-ILIMIT</sub> vs. Temperature

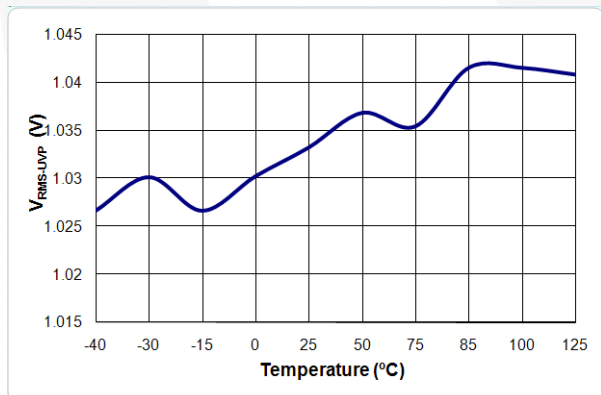


Figure 17. V<sub>RMS-UVP</sub> vs. Temperature

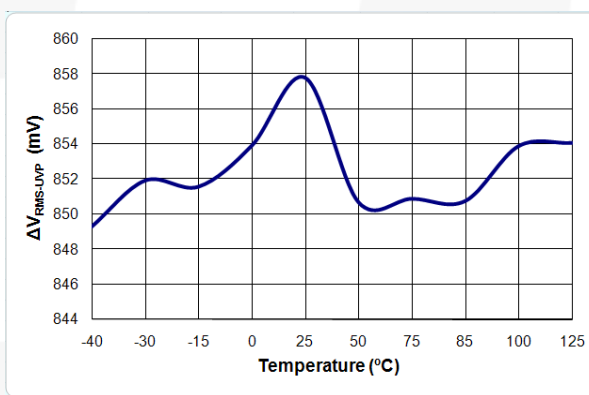


Figure 18. ΔV<sub>RMS-UVP</sub> vs. Temperature

## Typical Characteristics

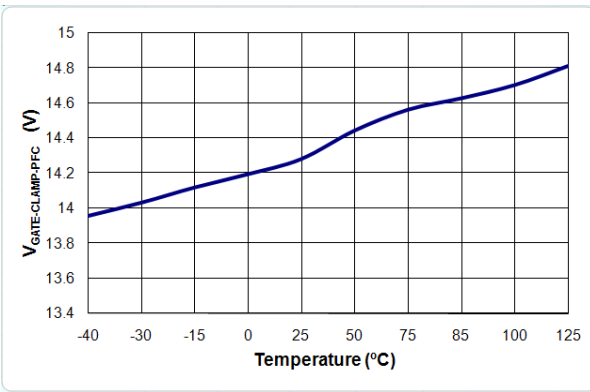


Figure 19.  $V_{GATE-CLAMP-PFC}$  vs. Temperature

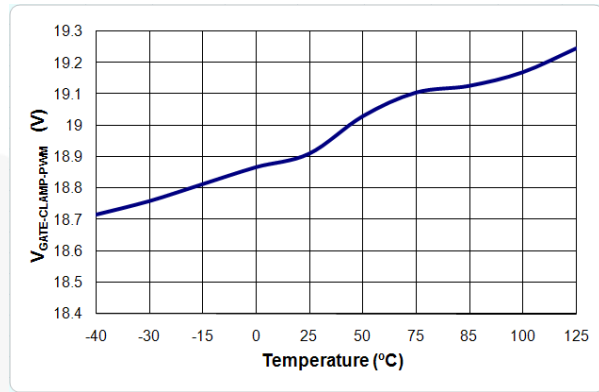


Figure 20.  $V_{GATE-CLAMP-PWM}$  vs. Temperature

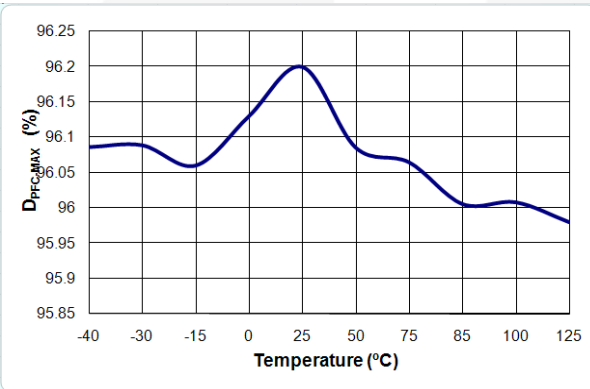


Figure 21.  $D_{PFC-MAX}$  vs. Temperature

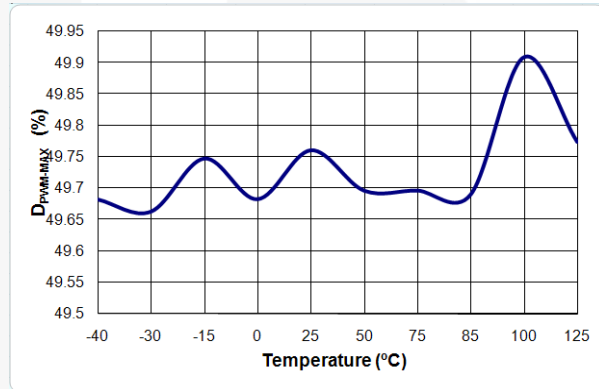


Figure 22.  $D_{PWM-MAX}$  vs. Temperature

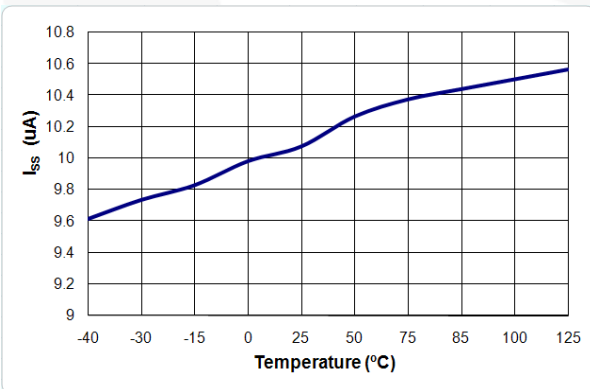


Figure 23.  $I_{SS}$  vs. Temperature

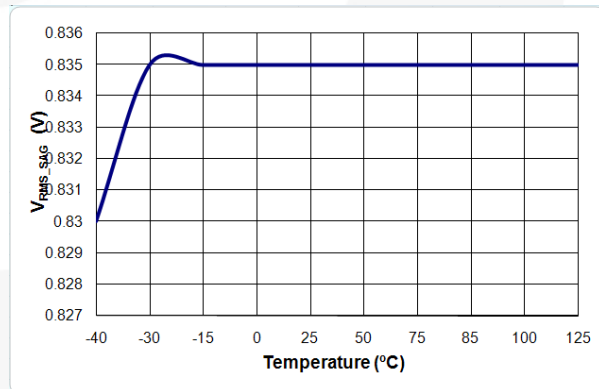


Figure 24.  $V_{RMS-SAG}$  vs. Temperature

## Functional Description

### Oscillator

The internal oscillator frequency is determined by the timing resistor and capacitor on the RT/CT pins as shown in Figure 25. The frequency of the internal oscillator is given:

$$f_{osc} = \frac{1}{0.56 \cdot R_T \cdot C_T + 360C_T} \quad (1)$$

Because the PWM stage generally uses a forward converter, it is necessary to limit the maximum duty cycle at 50%. To have a small tolerance of the maximum duty cycle, a frequency divider with toggle flip-flops is used, as illustrated in Figure 25. The operation frequency of PFC and PWM stage is 1/4 of oscillator frequency. (For FAN4800CU, the operation frequencies for PFC and PWM stages are 1/4 and 1/2 of oscillator frequency, respectively).

The dead time for the PFC gate drive signal is determined by:

$$t_{DEAD} = 360C_T \quad (2)$$

The dead time should be smaller than 2% of the switching period to minimize line current distortion around the line zero crossing.

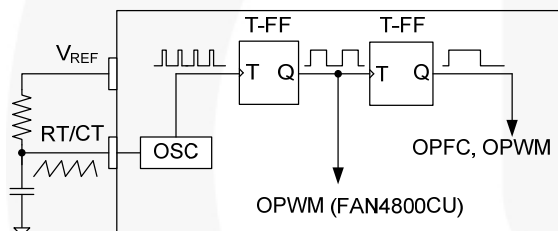


Figure 25. Oscillator Configuration

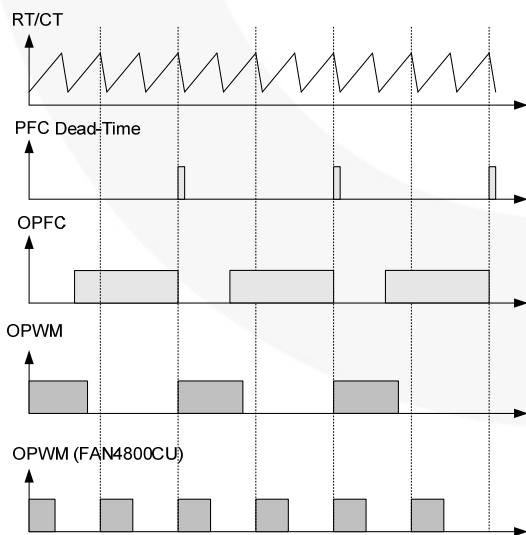


Figure 26. Timing Diagram

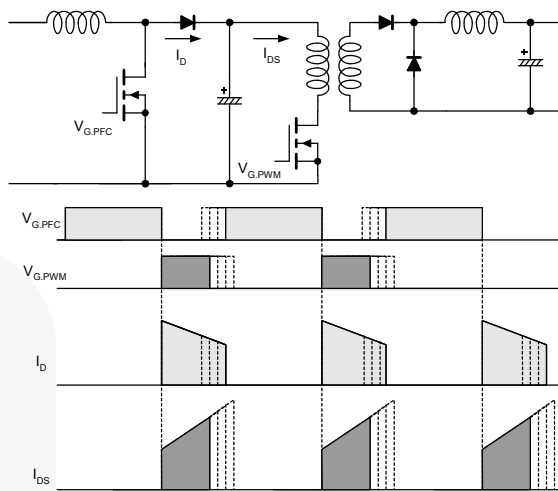


Figure 27. Interleaved Leading / Trailing Edge Modulation

Figure 27 shows the interleaved leading / trailing edge modulation, where the turn-off of the PFC drive signal is synchronized to the turn-on of the PWM drive signal. This technique allows the PFC output diode current to flow directly into the downstream DC/DC converter, minimizing the current ripple of PFC output capacitor.

### Gain Modulator

Gain modulator is the key block for the PFC stage because it provides the reference to the current control error amplifier for the input current shaping, as shown in Figure 28. The output current of the gain modulator is a function of  $V_{EA}$ ,  $I_{AC}$ , and  $V_{RMS}$ . The gain of the gain modulator is given as a ratio between  $I_{MO}$  and  $I_{AC}$  with a given  $V_{RMS}$  when  $V_{EA}$  is saturated to HIGH. The gain is inversely proportional to  $V_{RMS}^2$ , as shown in Figure 29, to implement line feed-forward. This automatically adjusts the reference of current control error amplifier according to the line voltage, such that the input power of PFC converter is not changed with line voltage (as shown in Figure 30).

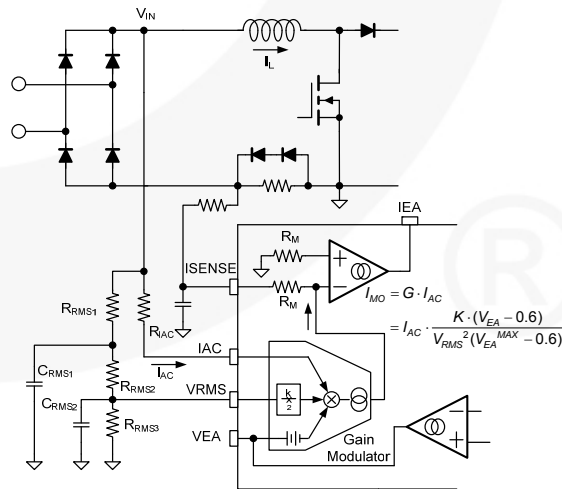
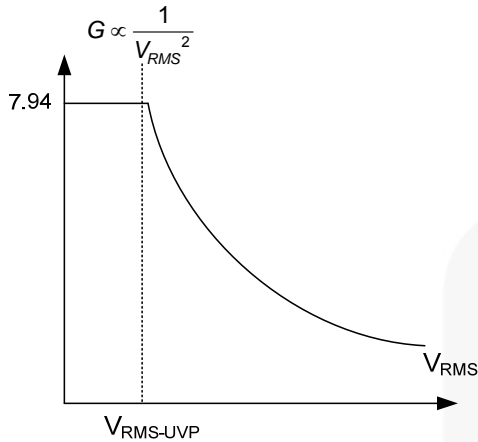
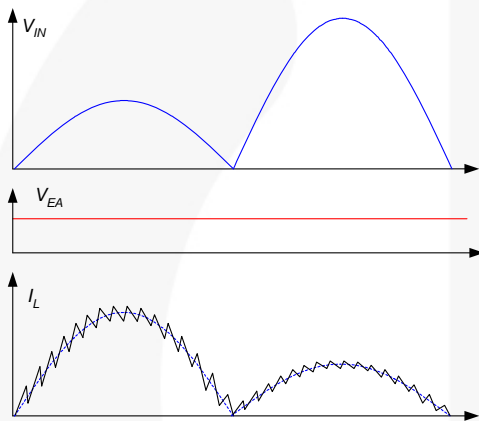


Figure 28. Gain Modulator Block

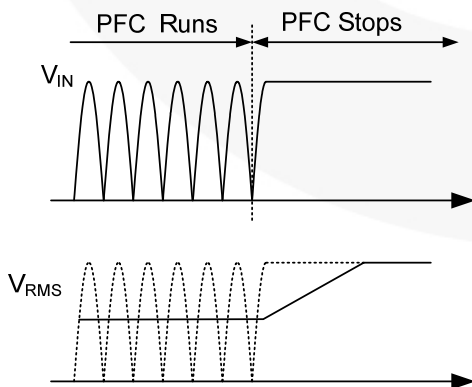


**Figure 29. Modulation Gain Characteristics**



**Figure 30. Line Feed-Forward Operation**

To sense the RMS value of the line voltage, averaging circuit with two poles is typically employed, as shown in Figure 28. Notice that the input voltage of the PFC is clamped at the peak of the line voltage once the PFC stops switching because the junction capacitance of the bridge diode is not discharged, as shown in Figure 31. Therefore, the voltage divider for  $V_{RMS}$  should be designed considering the brownout protection trip-point and minimum operation line voltage.



**Figure 31.  $V_{RMS}$  According to the PFC Operation**

The rectified sinusoidal signal is obtained by the current flowing into the IAC pin. The resistor  $R_{IAC}$  should be large enough to prevent saturation of the gain modulator, calculating as:

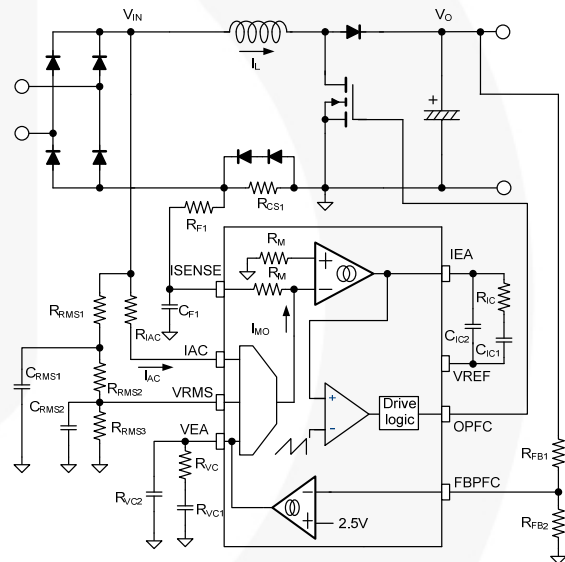
$$\frac{\sqrt{2}V_{LINE}^{MIN}}{R_{IAC}} \cdot G^{MAX} < 140\mu A \quad (3)$$

where  $V_{LINE}^{MIN}$  is the line voltage that trips brownout protection,  $G^{MAX}$  is the maximum modulator gain when  $V_{RMS}$  is 1.08V (which can be found in the datasheet), and 140 $\mu$ A is the maximum output current of the gain modulator.

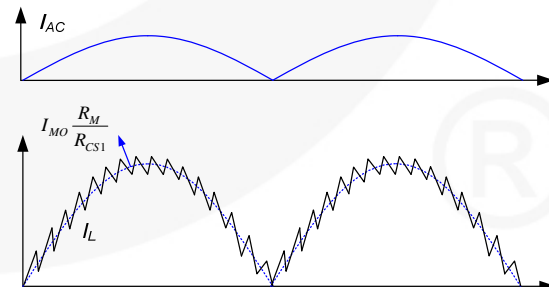
**Current Control of Boost Stage**

The FAN4800AU/CU employs two control loops for power factor correction, as shown in Figure 32: a current-control loop and a voltage-control loop. The current-control loop shapes inductor current as shown in Figure 33 based on the reference signal obtained at the IAC pin calculated as:

$$I_L \cdot R_{CS1} = I_{MO} \cdot R_M = I_{AC} \cdot G \cdot R_M \quad (4)$$



**Figure 32. Gain Modulation Block**



**Figure 33. Inductor Current Shaping**

The current-control feedback loop also has a pulse-by-pulse current limit comparator that forces the PFC switch to turn off until the next switching cycle if the ISENSE pin voltage drops below -1.3V.

### Voltage Control of Boost Stage

The voltage-control loop regulates PFC output voltage using an internal error amplifier such that the FB voltage is the same as the internal reference of 2.5V.

### Brownout Protection

The built-in internal brownout protection comparator monitors the voltage of the VRMS pin. Once VRMS pin voltage is lower than 1.05V, the PFC stage is shut down to protect the system from over current. FAN4800AU/CU starts up the boost stage once VRMS voltage increases above 1.9V.

### TriFault Detect™

To improve power supply reliability, reduce system component count, and simplify compliance to UL 1950 safety standards, the FAN4800AU/CU includes Fairchild's TriFault Detect technology.

In a feedback path failure, the output voltage of the PFC can exceed safe operating limits. TriFaultDetect protects the power supply from a failure related to the output feedback by monitoring the FBPFC voltage.

TriFaultDetect is an entirely internal circuit. It requires no external components to serve its protective function.

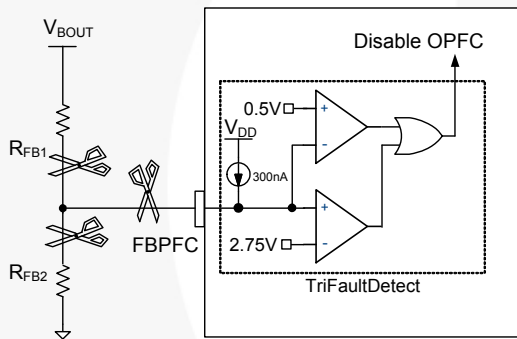


Figure 34. TriFault Detect™

### PWM Stage

The PWM stage is capable of Current Mode or Voltage Mode operation. In Current-Mode, the PWM ramp (RAMP) is usually derived directly from a current-sensing resistor or current transformer in the primary side of the output stage, and is thereby representative of the current flowing in the converter's output stage.  $I_{LIMIT}$ , which provides cycle-by-cycle current limiting, is typically connected to RAMP in such applications.

For Voltage-Mode operation, RAMP can be connected to a separate RC timing network to generate a voltage ramp against which the FBPWM voltage is compared. Under these conditions, the voltage feed-forward from the PFC bus can be used for better line transient response.

No voltage error amplifier is included in the PWM stage, as this function is generally performed by KA431, in the secondary side. To facilitate the design of opto-coupler feedback circuitry, an offset voltage is built into the inverting input of PWM comparator. This allows FBPWM to command a zero percent duty cycle when its pin voltage is below 1.5V.

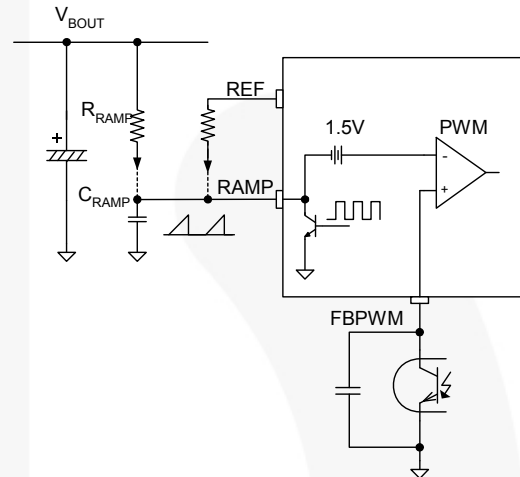


Figure 35. PWM Ramp Generation Circuit

### PWM Current Limit

The  $I_{LIMIT}$  pin is a direct input to the cycle-by-cycle current limiter for the PWM section. If the input voltage at this pin exceeds 1V, the output of the PWM is disabled for until the start of the next PWM clock cycle.

### $V_{IN}$ OK Comparator

The  $V_{IN}$  OK comparator monitors the output of the PFC stage and inhibits the PWM stage if this voltage is less than 2.4V (96% of its nominal value). Once this voltage goes above 2.4V, the PWM stage begins soft-start. The PWM stage is shut down when FBPFC voltage drops below 1.3V.

### PWM Soft-Start (SS)

PWM startup is controlled by the soft-start capacitor. A current source of  $10\mu A$  supplies the charging current for the soft-start capacitor. PWM startup is prohibited until the soft-start capacitor voltage reaches 1.5V.

## AC Line Drops Out

FAN4800AU/CU is designed such that the operation of PFC part is not perturbed by AC line dropout. Once line voltage disappears, the error amplifier can be saturated, resulting in abnormal current waveforms when the line voltage is recovered if proper preventive measures are not employed.

With a limited gain modulator operation, FAN4800AU/CU guarantees stable PFC operation even when AC line is recovered from dropout, as shown in Figure 36.

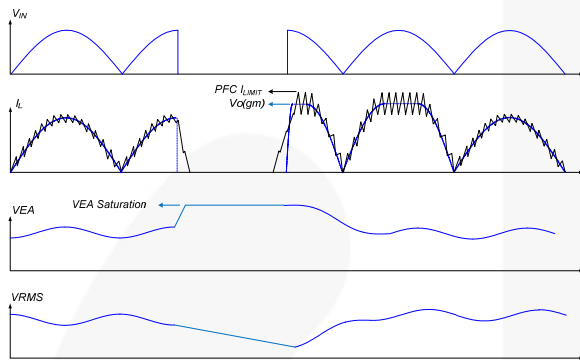


Figure 36. AC Cycle Drop

## Line Sag Protection

When the line sags below its normal operational range, the PFC part keeps operating until the brownout protection is triggered, which has 1s debounce time. Due to the low line voltage, the gain modulator for current loop is saturated and input current of PFC is limited, resulting in a drop of the PFC output voltage at heavy-load condition. Since the PWM part has a  $V_{IN}$  OK comparator that shuts down PWM operation when the FBPF voltage drops below 1.3V, the downstream DC/DC converter can stop operation while the PFC output voltage drops during line sag. Once the downstream converter stops operation, even the limited PFC input current can charge up the PFC output since the PFC part has no load current. Because this can cause repeated startup and shutdown of downstream converter during line sag, FAN4800AU/CU has line sag protection.

There are two conditions that trigger line sag protection, as shown in Figure 37 and Figure 38. The first condition is when  $V_{RMS}$  is lower than  $V_{RMS-SAG}$  (0.85V) for longer than  $t_{SAG}$  (33ms), as shown in Figure 37. The second condition is when  $V_{RMS}$  is lower than  $V_{RMS-SAG}$  (0.85V) and  $V_{FBPFC}$  is lower than  $V_{IN-OFF}$  (1.3V), as shown in Figure 38. Once line sag protection is triggered, the PWM and the PFC stop operation until  $V_{RMS}$  increases above 1.9V.

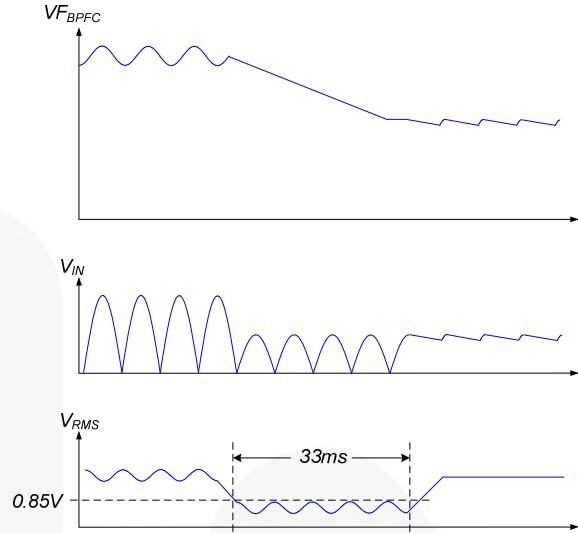


Figure 37. The First Condition of Sag Protection

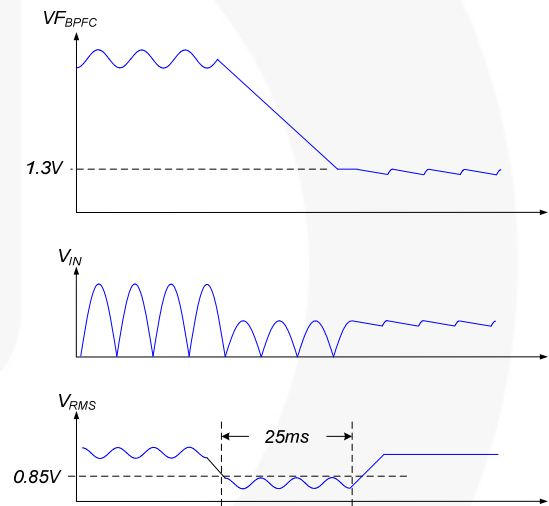
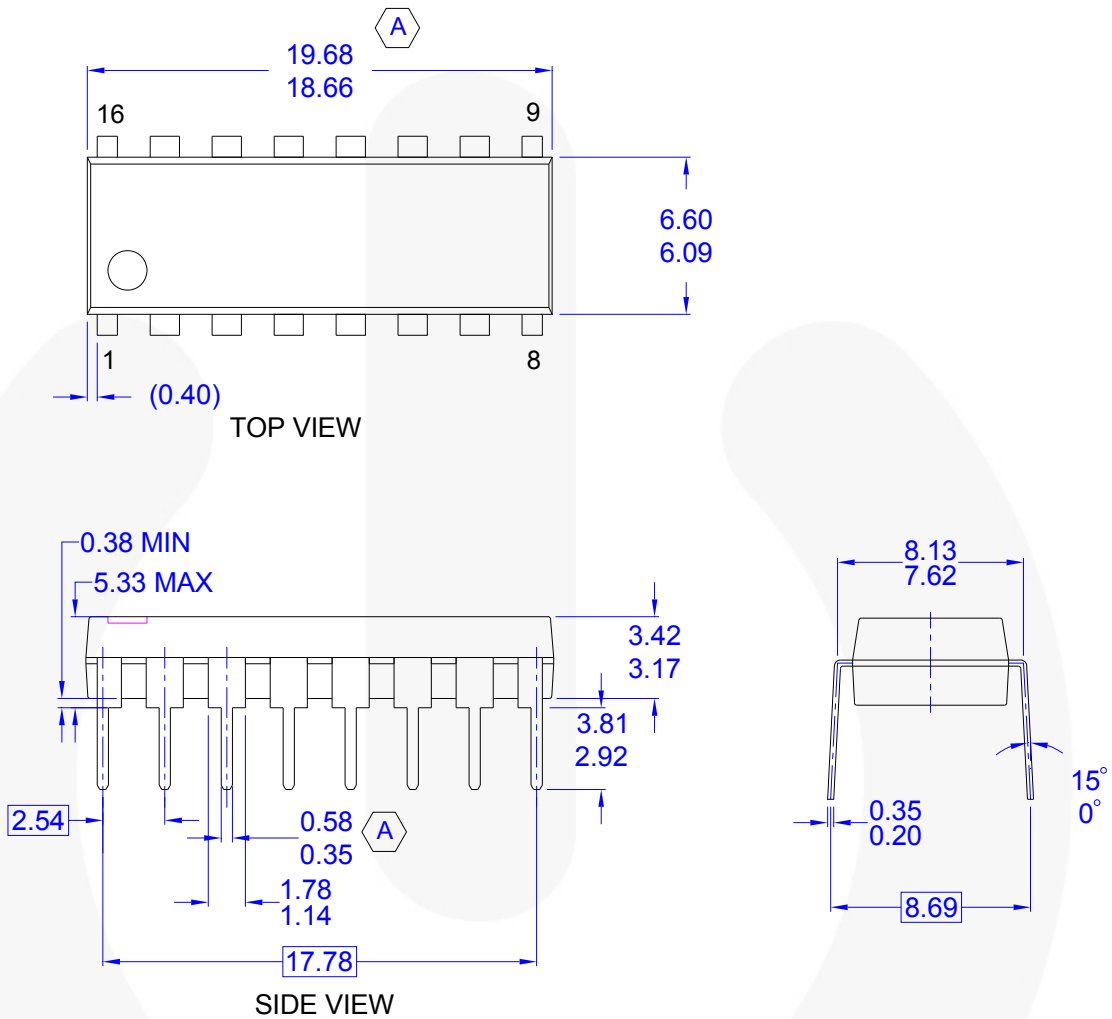


Figure 38. The Second condition of Sag Protection

Physical Dimensions



NOTES: UNLESS OTHERWISE SPECIFIED

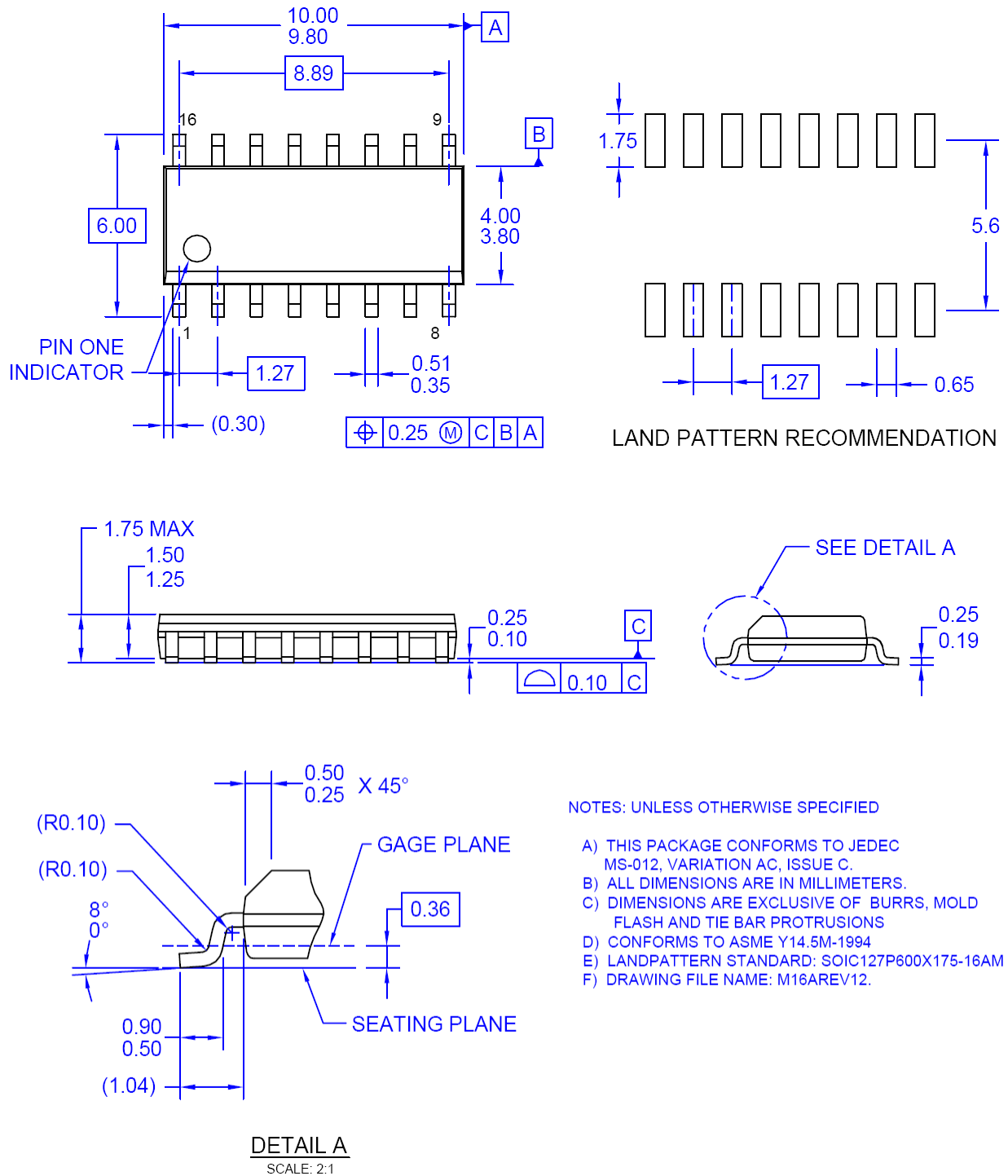
- A) THIS PACKAGE CONFORMS TO JEDEC MS-001 VARIATION BB
- B) ALL DIMENSIONS ARE IN MILLIMETERS.
- C) DIMENSIONS ARE EXCLUSIVE OF BURRS, MOLD FLASH, AND TIE BAR PROTRUSIONS
- D) CONFORMS TO ASME Y14.5M-1994
- E) DRAWING FILE NAME: N16EREV1

**Figure 39. 16-Pin, Dual Inline Package (DIP), JEDEC MS-001, .300" Wide**

Package drawings are provided as a service to customers considering Fairchild components. Drawings may change in any manner without notice. Please note the revision and/or date on the drawing and contact a Fairchild Semiconductor representative to verify or obtain the most recent revision. Package specifications do not expand the terms of Fairchild's worldwide terms and conditions, specifically the warranty therein, which covers Fairchild products.

Always visit Fairchild Semiconductor's online packaging area for the most recent package drawings:  
<http://www.fairchildsemi.com/packaging/>.

### Physical Dimensions



**Figure 40. 16-Pin, Small-Outline Integrated Circuit (SOIC), JEDEC MS-012, .150", Narrow Body**

Package drawings are provided as a service to customers considering Fairchild components. Drawings may change in any manner without notice. Please note the revision and/or date on the drawing and contact a Fairchild Semiconductor representative to verify or obtain the most recent revision. Package specifications do not expand the terms of Fairchild's worldwide terms and conditions, specifically the warranty therein, which covers Fairchild products.

Always visit Fairchild Semiconductor's online packaging area for the most recent package drawings:  
<http://www.fairchildsemi.com/packaging/>




**TRADEMARKS**

The following includes registered and unregistered trademarks and service marks, owned by Fairchild Semiconductor and/or its global subsidiaries, and is not intended to be an exhaustive list of all such trademarks.

2Cool™  
AccuPower™  
Auto-SPM™  
AX-CAP™  
BitSiC™  
Build it Now™  
CorePLUS™  
CorePOWER™  
CROSSVOLT™  
CTL™  
Current Transfer Logic™  
DEUXPEED®  
Dual Cool™  
EcoSPARK®  
EfficientMax™  
ESBC™  
**F**®  
Fairchild®  
Fairchild Semiconductor®  
FACT Quiet Series™  
FACT®  
FAST®  
FastvCore™  
FETBench™  
FlashWriter®

FPS™  
F-PFST™  
FRFET®  
Global Power Resource<sup>SM</sup>  
Green FPS™  
Green FPS™ e-Series™  
Gmax™  
GTO™  
IntelliMAX™  
ISOPLANAR™  
Making Small Speakers Sound Louder and Better™  
MegaBuck™  
MICROCOUPLER™  
MicroFET™  
MicroPak™  
MicroPak2™  
MillerDrive™  
MotionMax™  
Motion-SPM™  
mVMSaver™  
OptoHiT™  
OPTOLOGIC®  
OPTOPLANAR®

PDP SPM™  
Power-SPM™  
PowerTrench®  
PowerXS™  
Programmable Active Droop™  
QFET®  
QST™  
Quiet Series™  
RapidConfigure™  
™  
Saving our world, 1mW/WkW at a time™  
SignalWise™  
SmartMax™  
SMART START™  
Solutions for Your Success™  
SPM®  
STEALTH™  
SuperFET®  
SuperSOT™.3  
SuperSOT™.6  
SuperSOT™.8  
SupreMOS®  
SyncFET™  
Sync-Lock™  
**SYSTEM GENERAL**®

The Power Franchise®  
**the power franchise**  
TinyBoost™  
TinyBuck™  
TinyCalc™  
TinyLogic®  
TINYOPTO™  
TinyPower™  
TinyPWM™  
TinyWire™  
TranSiC™  
TriFault Detect™  
TRUECURRENT®  
µSerDes™  
  
UHC®  
Ultra FRFET™  
UniFET™  
VCX™  
VisualMax™  
VoltagePlus™  
XS™

\* Trademarks of System General Corporation, used under license by Fairchild Semiconductor.

**DISCLAIMER**

FAIRCHILD SEMICONDUCTOR RESERVES THE RIGHT TO MAKE CHANGES WITHOUT FURTHER NOTICE TO ANY PRODUCTS HEREIN TO IMPROVE RELIABILITY, FUNCTION, OR DESIGN. FAIRCHILD DOES NOT ASSUME ANY LIABILITY ARISING OUT OF THE APPLICATION OR USE OF ANY PRODUCT OR CIRCUIT DESCRIBED HEREIN; NEITHER DOES IT CONVEY ANY LICENSE UNDER ITS PATENT RIGHTS, NOR THE RIGHTS OF OTHERS. THESE SPECIFICATIONS DO NOT EXPAND THE TERMS OF FAIRCHILD'S WORLDWIDE TERMS AND CONDITIONS, SPECIFICALLY THE WARRANTY THEREIN, WHICH COVERS THESE PRODUCTS.

**LIFE SUPPORT POLICY**

FAIRCHILD'S PRODUCTS ARE NOT AUTHORIZED FOR USE AS CRITICAL COMPONENTS IN LIFE SUPPORT DEVICES OR SYSTEMS WITHOUT THE EXPRESS WRITTEN APPROVAL OF FAIRCHILD SEMICONDUCTOR CORPORATION.

As used herein:

1. Life support devices or systems are devices or systems which, (a) are intended for surgical implant into the body or (b) support or sustain life, and (c) whose failure to perform when properly used in accordance with instructions for use provided in the labeling, can be reasonably expected to result in a significant injury of the user.
2. A critical component in any component of a life support, device, or system whose failure to perform can be reasonably expected to cause the failure of the life support device or system, or to affect its safety or effectiveness.

**ANTI-COUNTERFEITING POLICY**

Fairchild Semiconductor Corporation's Anti-Counterfeiting Policy. Fairchild's Anti-Counterfeiting Policy is also stated on our external website, [www.fairchildsemi.com](http://www.fairchildsemi.com), under Sales Support.

Counterfeiting of semiconductor parts is a growing problem in the industry. All manufacturers of semiconductor products are experiencing counterfeiting of their parts. Customers who inadvertently purchase counterfeit parts experience many problems such as loss of brand reputation, substandard performance, failed applications, and increased cost of production and manufacturing delays. Fairchild is taking strong measures to protect ourselves and our customers from the proliferation of counterfeit parts. Fairchild strongly encourages customers to purchase Fairchild parts either directly from Fairchild or from Authorized Fairchild Distributors who are listed by country on our web page cited above. Products customers buy either from Fairchild directly or from Authorized Fairchild Distributors are genuine parts, have full traceability, meet Fairchild's quality standards for handling and storage and provide access to Fairchild's full range of up-to-date technical and product information. Fairchild and our Authorized Distributors will stand behind all warranties and will appropriately address any warranty issues that may arise. Fairchild will not provide any warranty coverage or other assistance for parts bought from Unauthorized Sources. Fairchild is committed to combat this global problem and encourage our customers to do their part in stopping this practice by buying direct or from authorized distributors.

**PRODUCT STATUS DEFINITIONS**

**Definition of Terms**

Datasheet Identification	Product Status	Definition
Advance Information	Formative / In Design	Datasheet contains the design specifications for product development. Specifications may change in any manner without notice.
Preliminary	First Production	Datasheet contains preliminary data; supplementary data will be published at a later date. Fairchild Semiconductor reserves the right to make changes at any time without notice to improve design.
No Identification Needed	Full Production	Datasheet contains final specifications. Fairchild Semiconductor reserves the right to make changes at any time without notice to improve the design.
Obsolete	Not In Production	Datasheet contains specifications on a product that is discontinued by Fairchild Semiconductor. The datasheet is for reference information only.

Rev. I58

