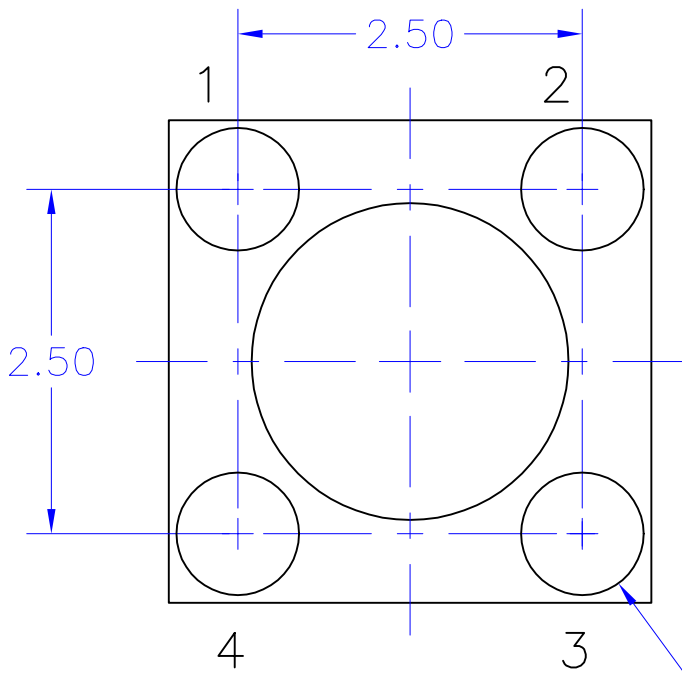


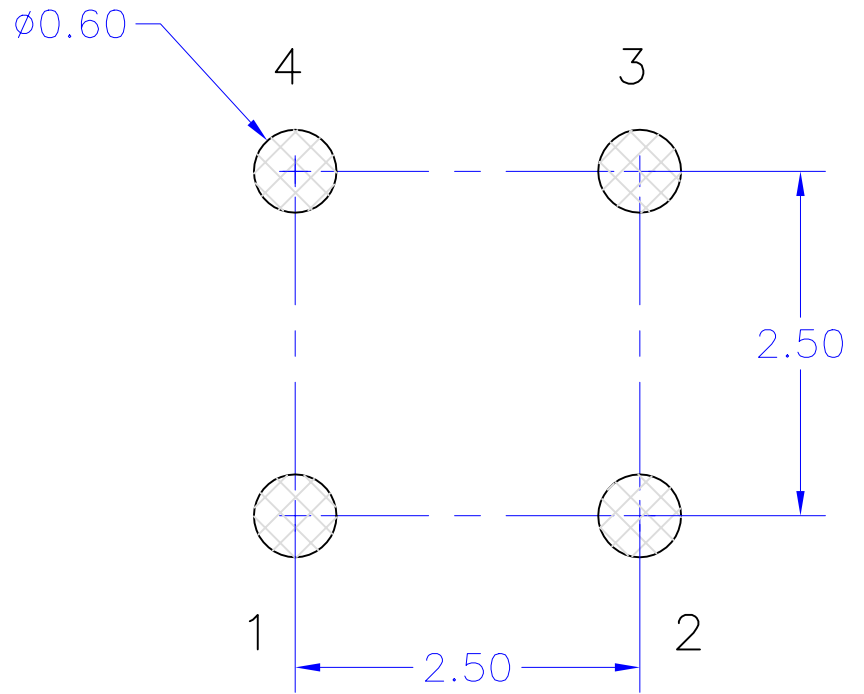
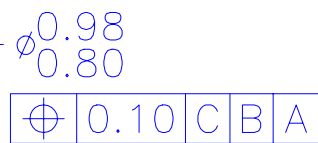
THIS DRAWING IS THE PROPERTY OF FAIRCHILD SEMICONDUCTOR CORPORATION. NO USE THEREOF SHALL BE MADE OTHER THAN AS A REFERENCE FOR PROPOSALS AS SUBMITTED TO FAIRCHILD SEMICONDUCTOR CORPORATION FOR JOBS TO BE EXECUTED IN CONFORMITY WITH SUCH PROPOSALS UNLESS THE CONSENT OF SAID FAIRCHILD SEMICONDUCTOR CORPORATION HAS PREVIOUSLY BEEN OBTAINED. NO PART OF THIS DRAWING SHALL BE COPIED OR DUPLICATED OR ITS CONTENTS DISCLOSED. THE INFORMATION CONTAINED ON THIS DRAWING IS CONFIDENTIAL AND PROPRIETARY.

REVISIONS

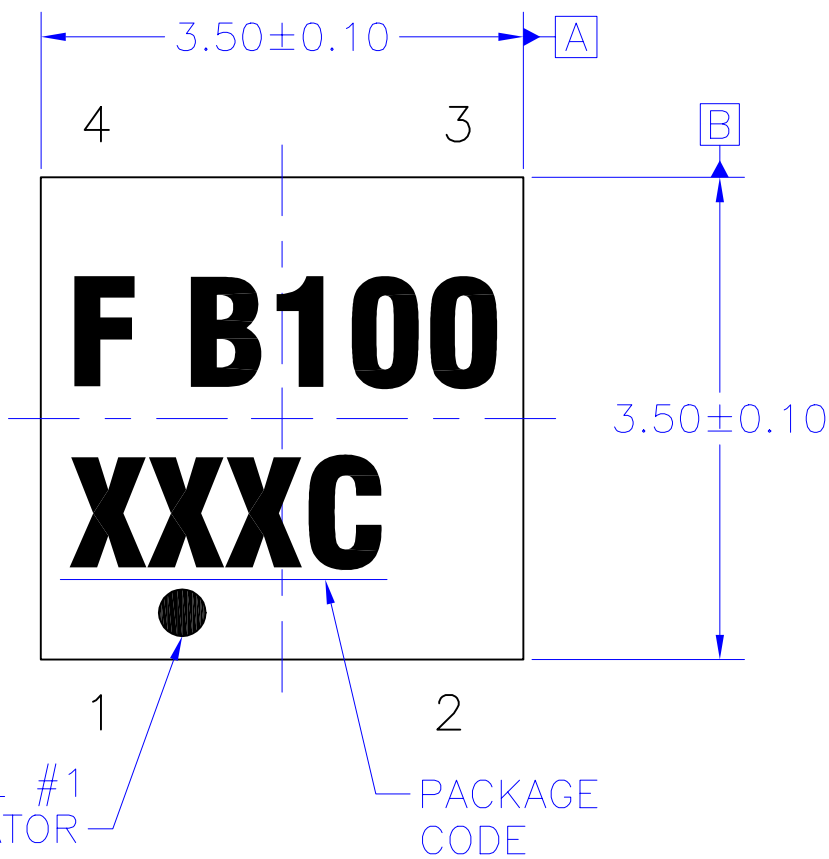
LTR	DESCRIPTION	E.C.N.	DATE	BY/APP'D
A	RELEASE TO DOCUMENT CONTROL	CB/136/03	29APR2003	CBE



BOTTOM VIEW

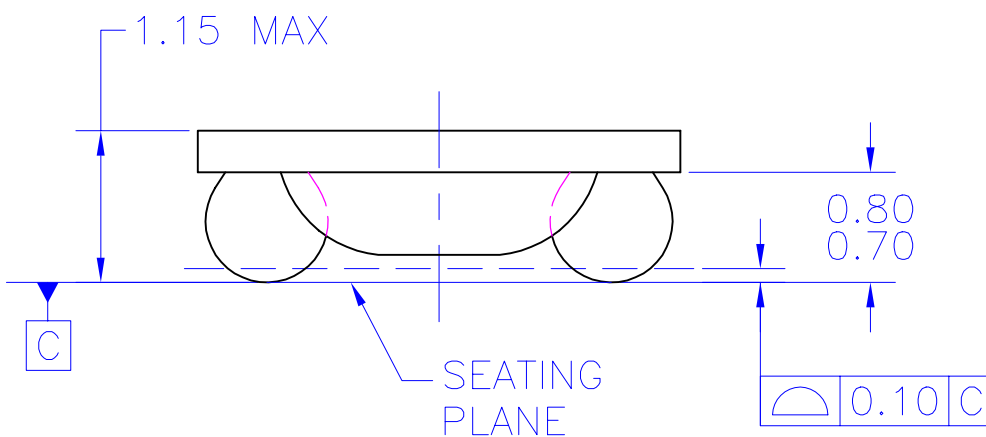
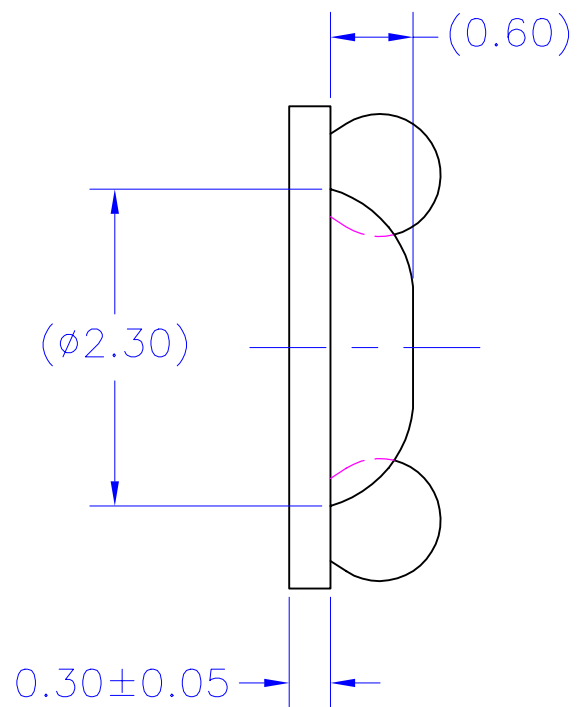


LAND PATTERN RECOMMENDATION



BALL #1 INDICATOR

PACKAGE CODE



SEATING PLANE

NOTES: UNLESS OTHERWISE SPECIFIED
 A) ALL DIMENSIONS ARE IN MILLIMETERS.
 B) NO JEDEC REGISTRATION REFERENCE AS OF NOVEMBER 2002.

BGA04AREVA

APPROVALS		DATE	FAIRCHILD SEMICONDUCTOR™		CEBU PHILIPPINES
DRAWN: J.P. GOMEZ		29APR2003			4BALL, OPTOCOUPLER BGA, 3.50X3.50MM BODY
CHECKED: C.B. ESTACIO					
APPROVED: M.R. GESTOLE					
G.S. BAJE			SCALE 20:1	SIZE A3	DRAWING NUMBER MKT-BGA04A
		FORMERLY: N/A	REV A		SHEET : 1 OF 1