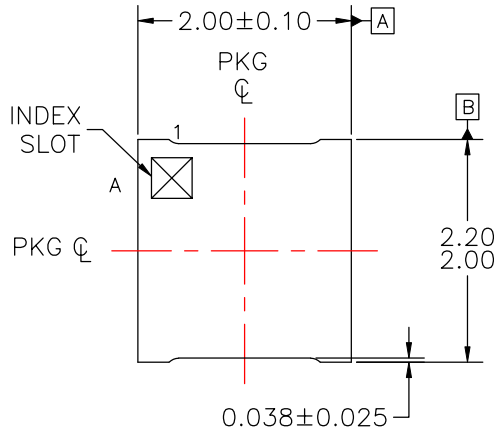


THIS DRAWING IS THE PROPERTY OF FAIRCHILD SEMICONDUCTOR CORPORATION. NO USE THEREOF SHALL BE MADE OTHER THAN AS A REFERENCE FOR PROPOSALS AS SUBMITTED TO FAIRCHILD SEMICONDUCTOR CORPORATION FOR JOBS TO BE EXECUTED IN CONFORMITY WITH SUCH PROPOSALS UNLESS THE CONSENT OF SAID FAIRCHILD SEMICONDUCTOR CORPORATION HAS PREVIOUSLY BEEN OBTAINED. NO PART OF THIS DRAWING SHALL BE COPIED OR DUPLICATED OR ITS CONTENTS DISCLOSED. THE INFORMATION CONTAINED ON THIS DRAWING IS CONFIDENTIAL AND PROPRIETARY.

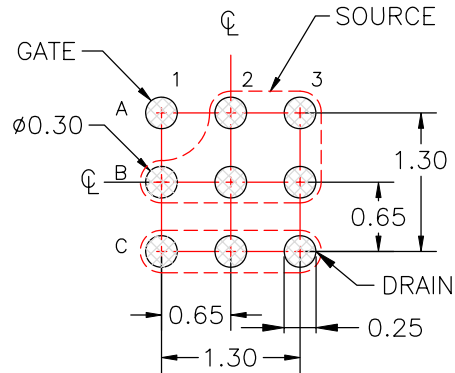
**APPROVED**  
30-April-2008

REVISIONS

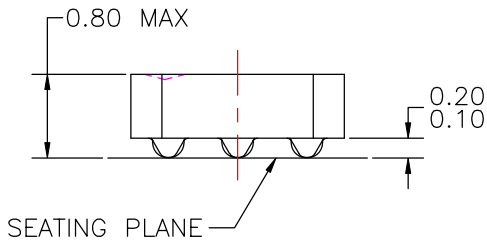
LTR	DESCRIPTION	DATE	NAME/SITE
A	RELEASE TO DOCUMENT CONTROL	04APR2002	HTG / CEBU
B	ADD PKG CENTER LINE; REM DATUM C AT BALL POS GEOMETRIC TOL; DEL DIM 1.30 BSC; ADD DIM 0.65 BSC	06MAY2002	HTG / CEBU
C	CHANGE BALL POS TOL FR 0.10 TO 0.05	11NOV2002	HTG / CEBU
D	CHG PKG HOR. BODY DIM TOL FR ±0.15 TO ±0.10; CHG PKG BODY VER DIM TOL FR +0.30/-0.10 TO +0.20/-0.00	02APR2003	HTG / CEBU
E	CHG DIM FR 2.00±0.30 TO 2.00-2.20; ADD PROTRUDING NUBS&DIM AT PKG EDGE	17SEP2003	HTG / CEBU
6	CHG BODY HT FR (0.60) TO 0.65; REMOVE EON COLUMN IN REV HISTORY; REMOVE SITE NAME IN TITLE BLK; ADD NOTES 'C', 'D' & 'F'.	14APR2008	HTG / CEBU



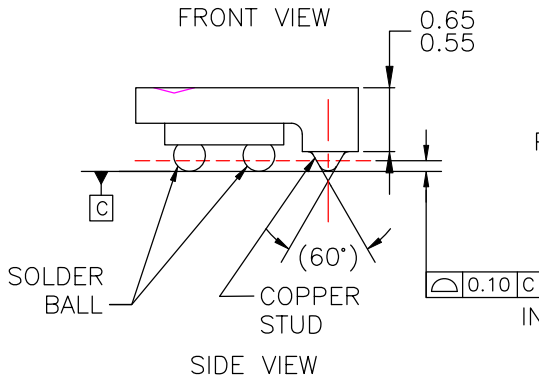
TOP VIEW



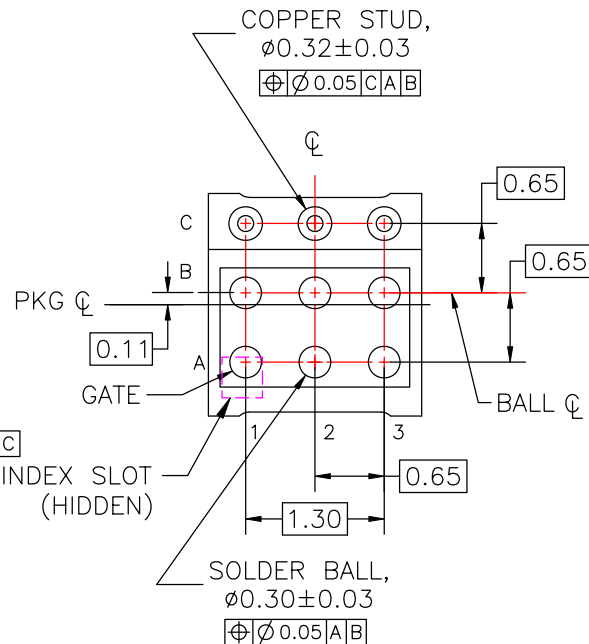
LAND PATTERN RECOMMENDATION



FRONT VIEW



SIDE VIEW



BOTTOM VIEW

NOTES: UNLESS OTHERWISE SPECIFIED

- A) THIS PKG IS NOT PRESENTLY REGISTERED WITH ANY STANDARDS COMMITTEE.
- B) ALL DIMENSIONS ARE IN MILLIMETERS.
- C) DRAWING CONFORMS TO ASME Y14.5M-1994.
- D) LAND PATTERN NAME: BGA9C65P3X3\_200X200X80
- E) TERMINAL CONFIGURATION TABLE.

POSITION	DESIGNATION	TYPE
C1,C2,C3	DRAIN	COPPER STUD
A1	GATE	SOLDER BALL
A2,A3,B1,B2,B3	SOURCE	SOLDER BALL

- F) DRAWING FILENAME: MKT-BGA06Brev6

APPROVALS	DATE	<b>FAIRCHILD</b> SEMICONDUCTOR™
DRAWN: J. COMPARATIVO, JR.	14APR2008	
CHECKED: H. GRANADA JR.		
APPROVED: M. GESTOLE		
G.S. BAJE		6BALL/3STUD, MOSFET BGA, 2x2MM BODY, DTLLA
PROJECTION INCH END		SCALE: 1:1 SIZE: NA FORMERLY: N/A
		DRAWING NUMBER: MKT-BGA06B REV: 6 SHEET: 1 OF 1