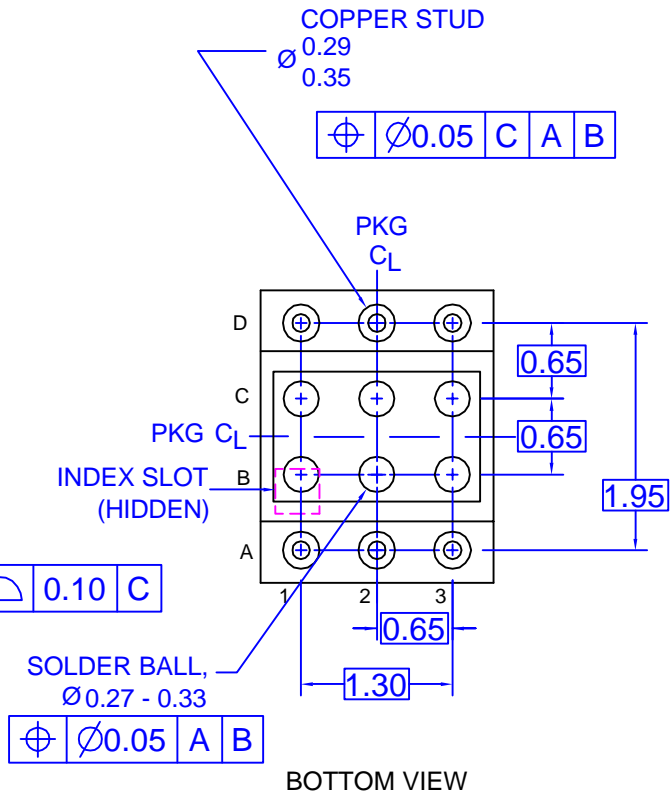
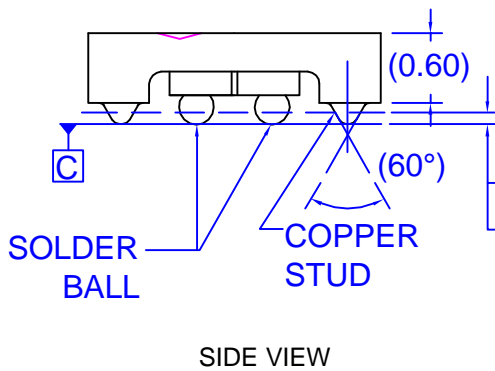
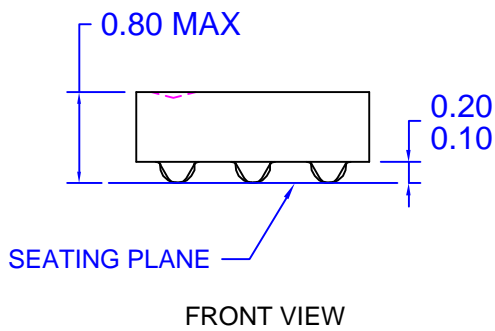
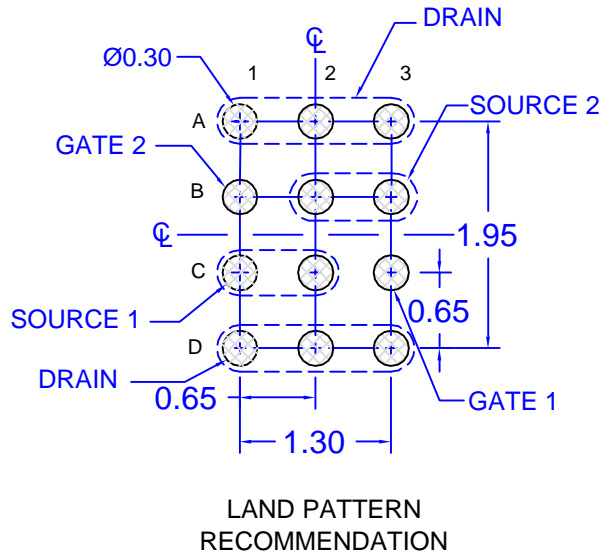
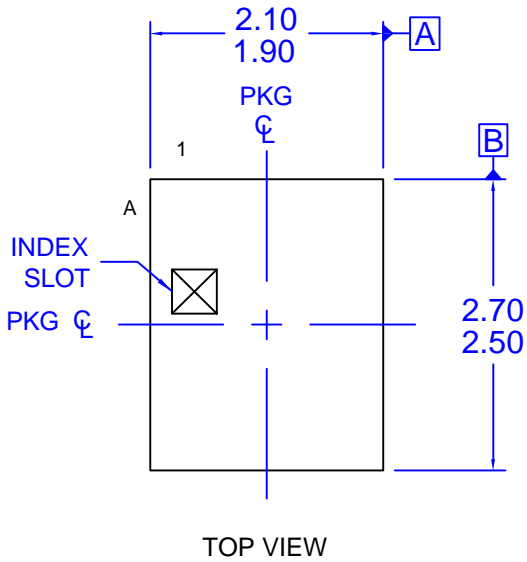


REVISIONS			
LT#	DESCRIPTION	DATE	BY/APPD
A	FIRST RELEASE	04APR2002	HTG
Z	DWG RECREATED & UPDATED TO FSC-MKT-0001	10 AUG 07	L.HUEBENER



NOTES: UNLESS OTHERWISE SPECIFIED

- A) NO JEDEC REFERENCE AS OF JULY 1999.
- B) ALL DIMENSIONS ARE IN MILLIMETERS.
- C) CONFORMS TO ASME Y14.5M-1994.
- D) TERMINAL CONFIGURATION TABLE.
- E) DRAWING FILE NAME: BGA06DREV2.

POSITION	DESIGNATION	TYPE
A1,A2,A3, D1,D2,D3	DRAIN	COPPER STUD
C3	GATE1	SOLDER BALL
B1	GATE 2	
C1,C2	SOURCE 1	SOLDER BALL
B2,B3	SOURCE 2	

APPROVALS	DATE	
DRAWN: L.HUEBENER	10 AUG 07	
CHECKED:		<b>6BALL/6STUD, MOSFET BGA, 2x2.5MM BODY, DUAL DIE, BTKLA</b>
APPROVED:		
	SCALE 1:1	SIZE N/A
	FORMERLY: N/A	DRAWING NUMBER MKT-BGA06D
	SHEET: 1 OF 1	REV 2