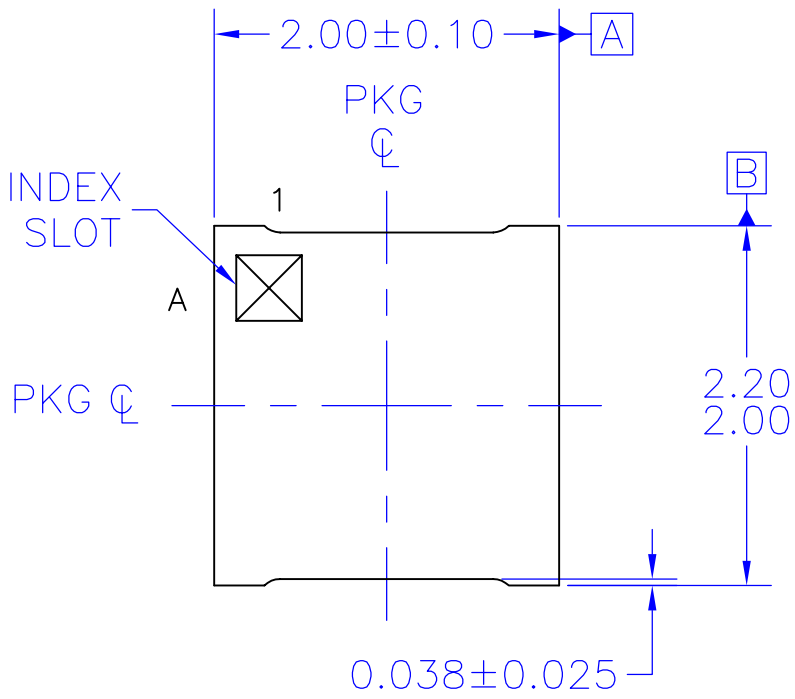
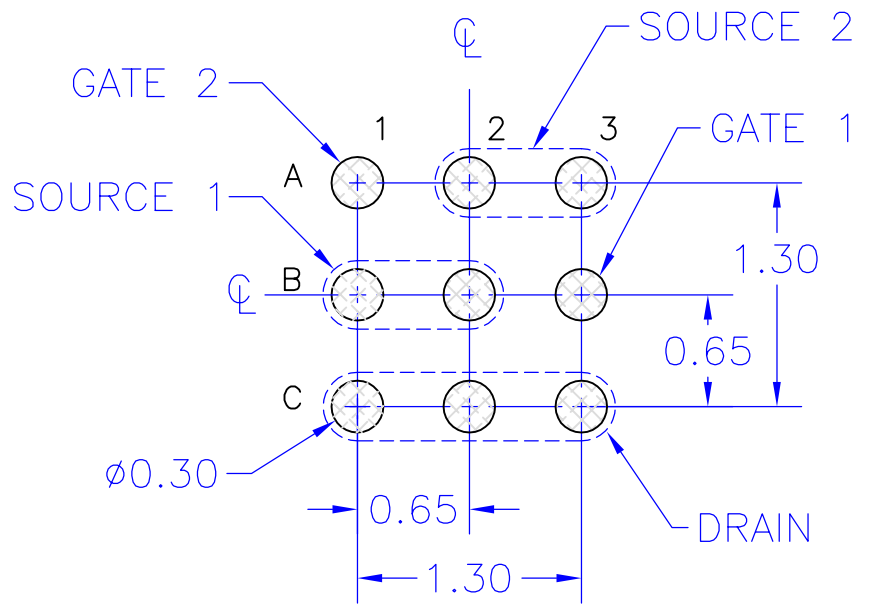


THIS DRAWING IS THE PROPERTY OF FAIRCHILD SEMICONDUCTOR CORPORATION. NO USE THEREOF SHALL BE MADE OTHER THAN AS A REFERENCE FOR PROPOSALS AS SUBMITTED TO FAIRCHILD SEMICONDUCTOR CORPORATION FOR JOBS TO BE EXECUTED IN CONFORMITY WITH SUCH PROPOSALS UNLESS THE CONSENT OF SAID FAIRCHILD SEMICONDUCTOR CORPORATION HAS PREVIOUSLY BEEN OBTAINED. NO PART OF THIS DRAWING SHALL BE COPIED OR DUPLICATED OR ITS CONTENTS DISCLOSED. THE INFORMATION CONTAINED ON THIS DRAWING IS CONFIDENTIAL AND PROPRIETARY.

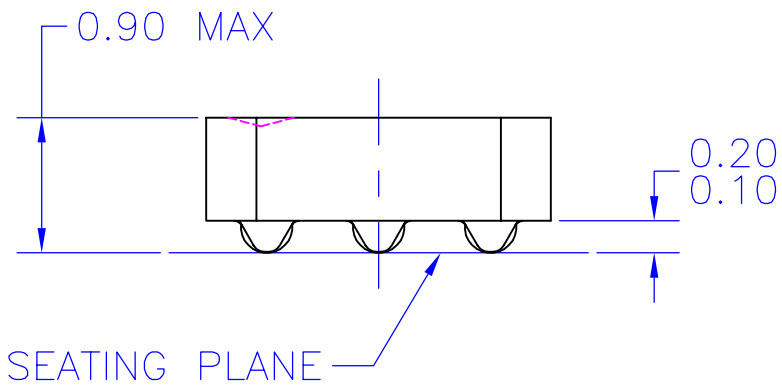
REVISIONS				
LTR	DESCRIPTION	E.C.N.	DATE	BY/APP'D
A	RELEASE TO DOCUMENT CONTROL	CB/119/03	15APR2003	HTG
B	CHG DIM FR 2.00±0.20 TO 2.00-2.20; ADD PROTRUDING NUBS&DIM AT PKG EDGE; CHG DIM FR 0.80 MAX TO 0.90 MAX	CB/261/03	17SEP2003	HTG



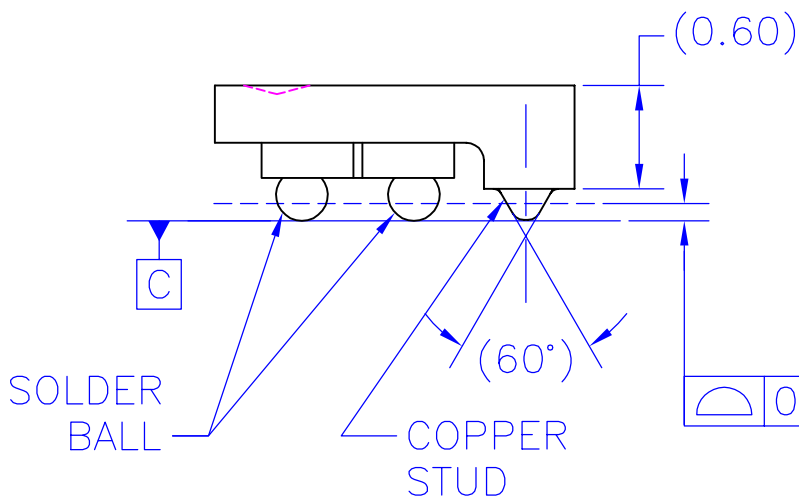
TOP VIEW



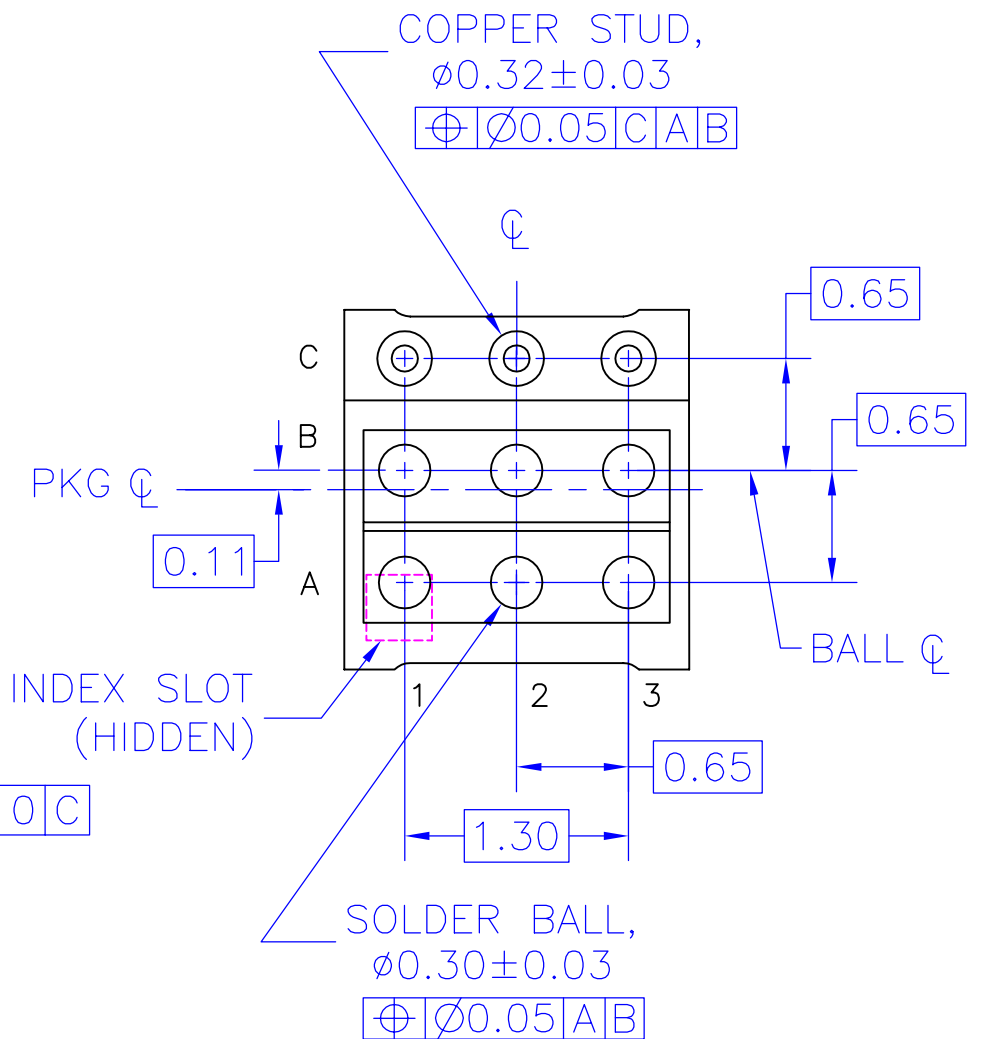
LAND PATTERN RECOMMENDATION



FRONT VIEW



SIDE VIEW



BOTTOM VIEW

NOTES: UNLESS OTHERWISE SPECIFIED

- A) ALL DIMENSIONS ARE IN MILLIMETERS.
- B) NO JEDEC REGISTRATION REFERENCE AS OF JULY 1999.
- C) TERMINAL CONFIGURATION TABLE.

POSITION	DESIGNATION	TYPE
C1,C2,C3	DRAIN	COPPER STUD
B3	GATE 1	SOLDER BALL
A1	GATE 2	
B1,B2	SOURCE 1	SOLDER BALL
A2,A3	SOURCE 2	

BGA06EREVB

APPROVALS	DATE	FAIRCHILD SEMICONDUCTOR™		CEBU PHILIPPINES
DRAWN: J. GOMEZ	15SEP2003	6BALL/3STUD, MOSFET BGA, 2x2MM BODY, DUAL DIE, BTKLA		REV B
CHECKED: H. GRANADA JR.				
APPROVED: M. GESTOLE				
G.S. BAJE		SCALE 25:1	SIZE A3	DRAWING NUMBER MKT-BGA06E
PROJECTION		FORMERLY: N/A	SHEET : 1 OF 1	