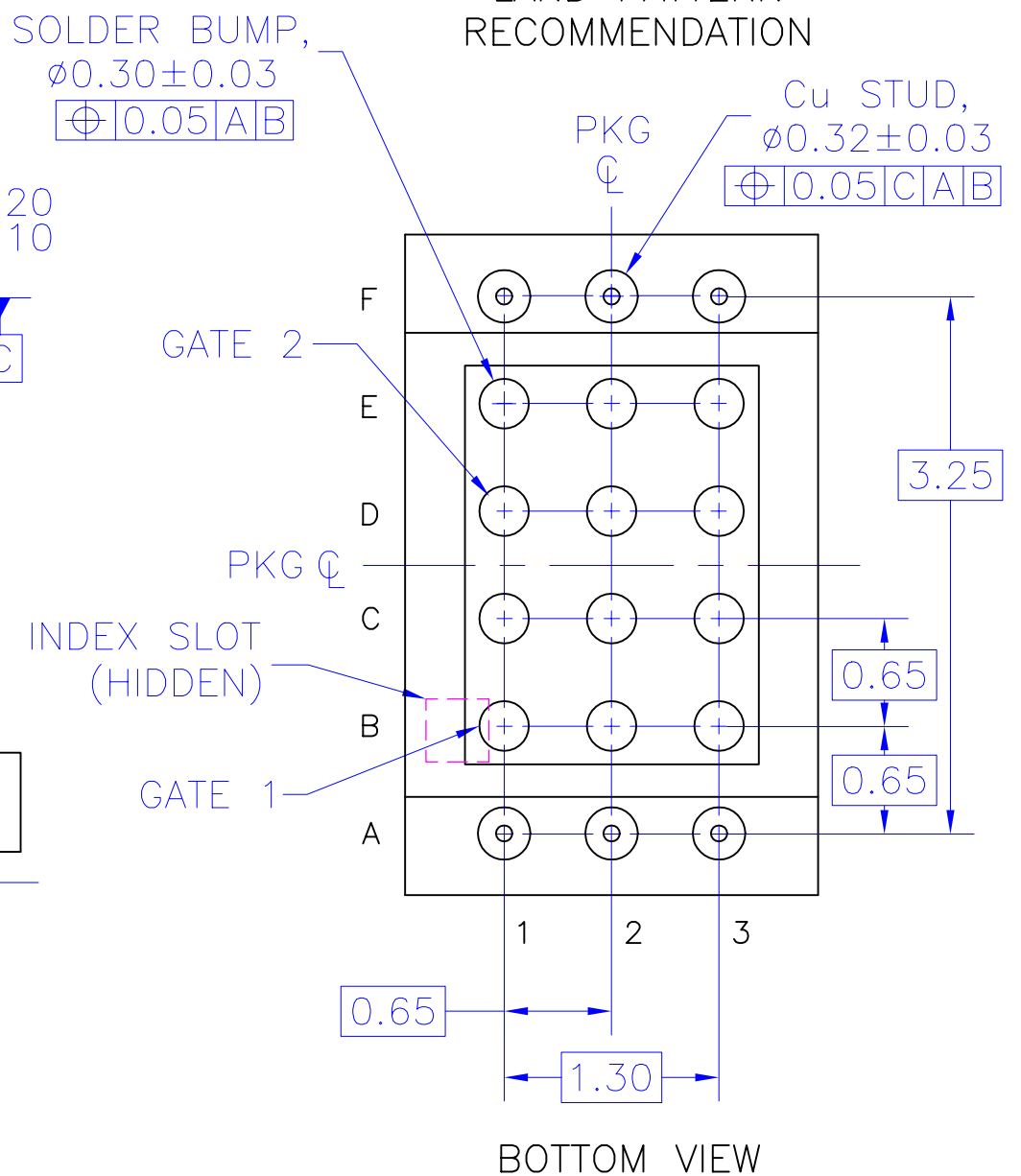
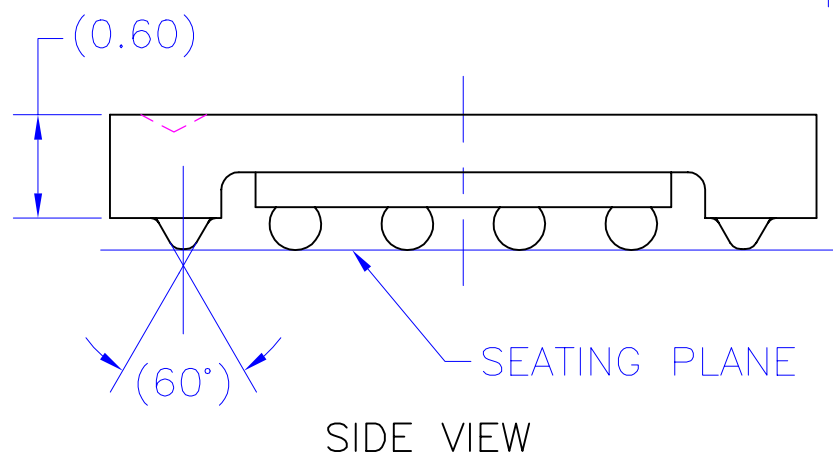
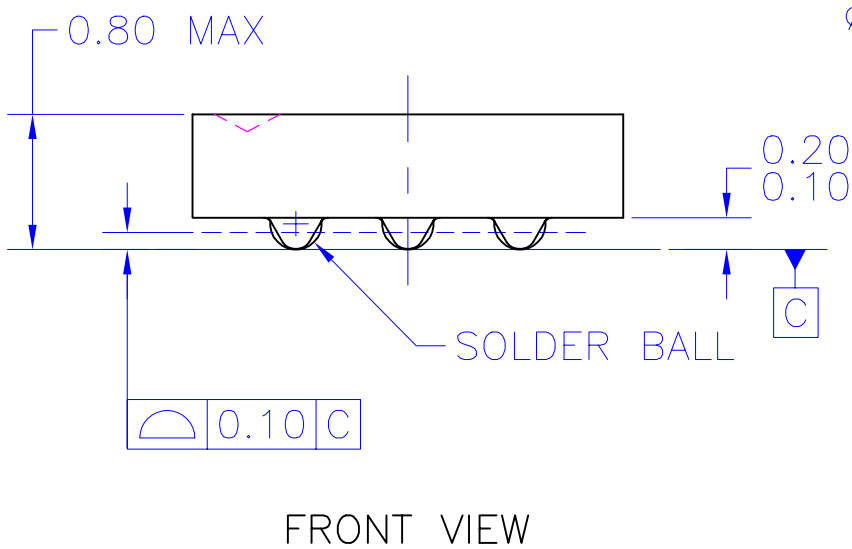
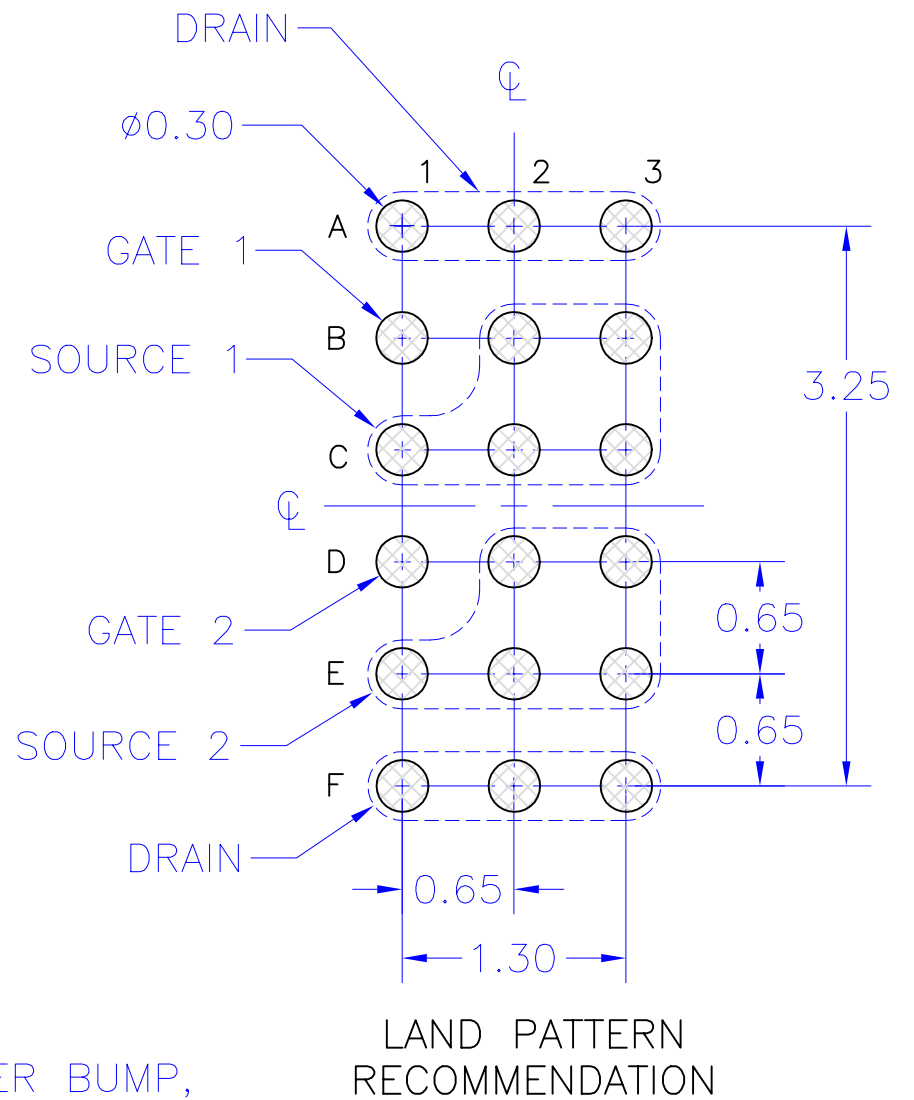
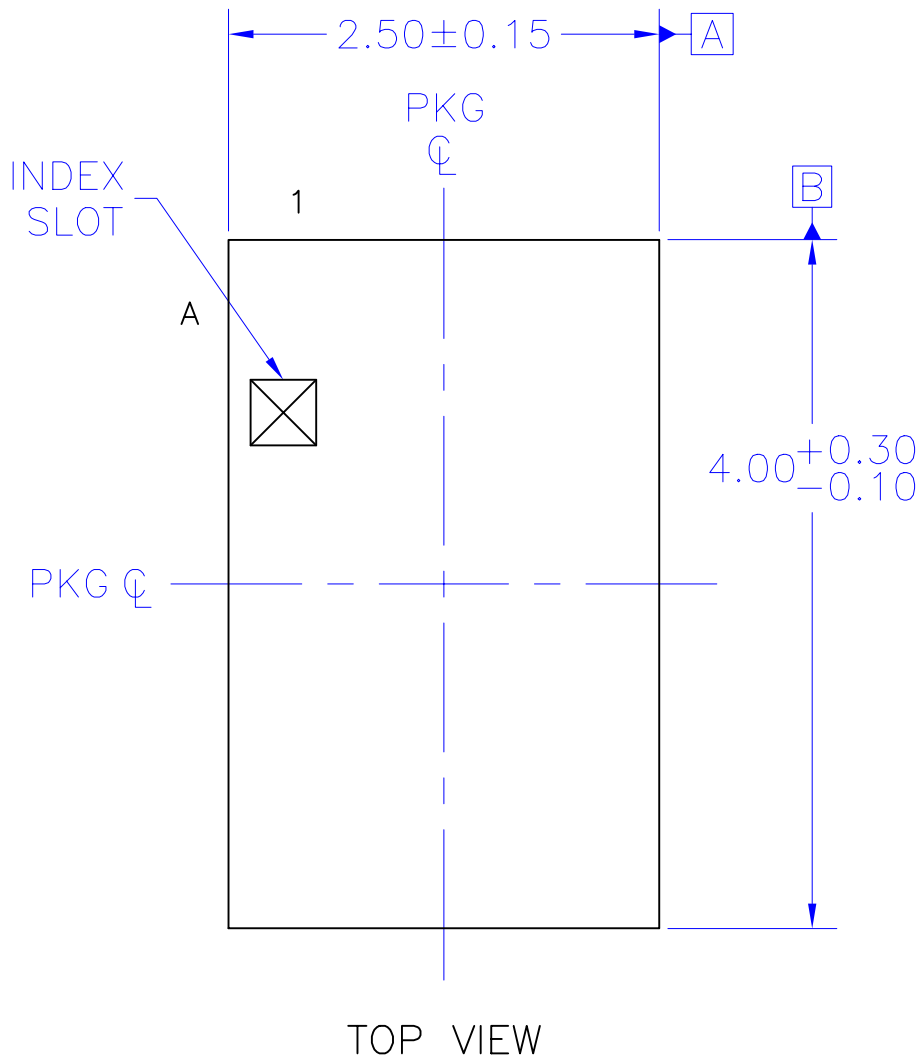


THIS DRAWING IS THE PROPERTY OF FAIRCHILD SEMICONDUCTOR CORPORATION. NO USE THEREOF SHALL BE MADE OTHER THAN AS A REFERENCE FOR PROPOSALS AS SUBMITTED TO FAIRCHILD SEMICONDUCTOR CORPORATION FOR JOBS TO BE EXECUTED IN CONFORMITY WITH SUCH PROPOSALS UNLESS THE CONSENT OF SAID FAIRCHILD SEMICONDUCTOR CORPORATION HAS PREVIOUSLY BEEN OBTAINED. NO PART OF THIS DRAWING SHALL BE COPIED OR DUPLICATED OR ITS CONTENTS DISCLOSED. THE INFORMATION CONTAINED ON THIS DRAWING IS CONFIDENTIAL AND PROPRIETARY.

REVISIONS

LTR	DESCRIPTION	E.C.N.	DATE	BY/APP'D
A	RELEASE TO DOCUMENT CONTROL	CB/072/02	20FEB2000	HTG
B	ADD PKG CENTER LINE; REM DATUM C AT BALL POS GEOMETRIC TOL; ADD 0.65 BSC	CB/145/02	06MAY2002	HTG
C	CHANGE BALL POS TOL FR 0.10 TO 0.05	CB/345/02	21NOV2002	HTG



NOTES: UNLESS OTHERWISE SPECIFIED

- A) ALL DIMENSIONS ARE IN MILLIMETERS.
- B) NO JEDEC REGISTRATION REFERENCE AS OF JULY 1999.
- C) BALL CONFIGURATION TABLE

TERMINAL	DESIGNATION
A1,A2,A3,F1,F2,F3	DRAIN
B1	GATE 1
B2,B3,C1,C2,C3	SOURCE 1
D1	GATE 2
D2,D3,E1,E2,E3	SOURCE 2

BGA12AREVC

APPROVALS	DATE	FAIRCHILD SEMICONDUCTOR™		CEBU PHILIPPINES		
DRAWN: J. GOMEZ	23JAN2003	12BALL/6STUD, MOSFET BGA, 2.5X4MM BODY, DTLA		REV C		
CHECKED: H. GRANADA JR.						
APPROVED: M. GESTOLE						
G.S. BAJE		SCALE 25:1	SIZE A3	DRAWING NUMBER MKT-BGA12A	FORMERLY: N/A	SHEET : 1 OF 1

