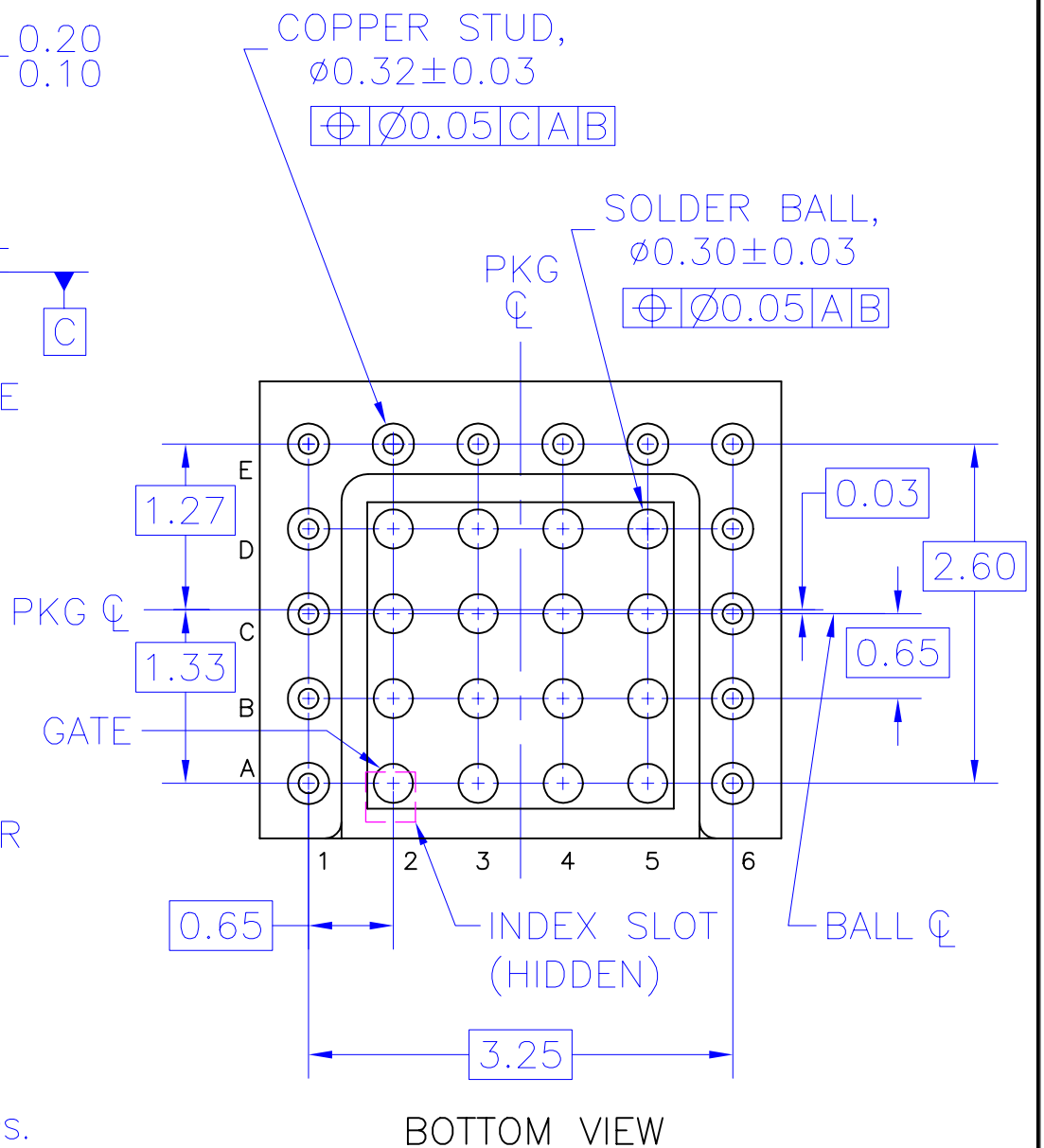
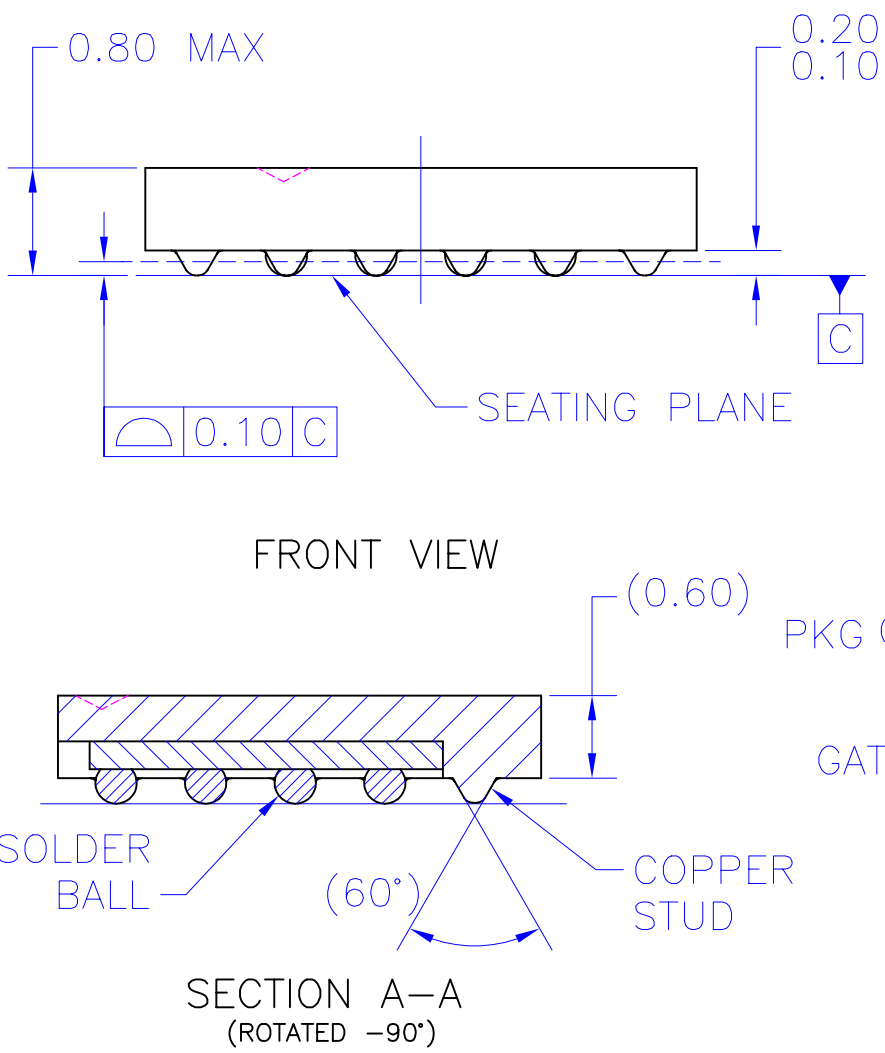
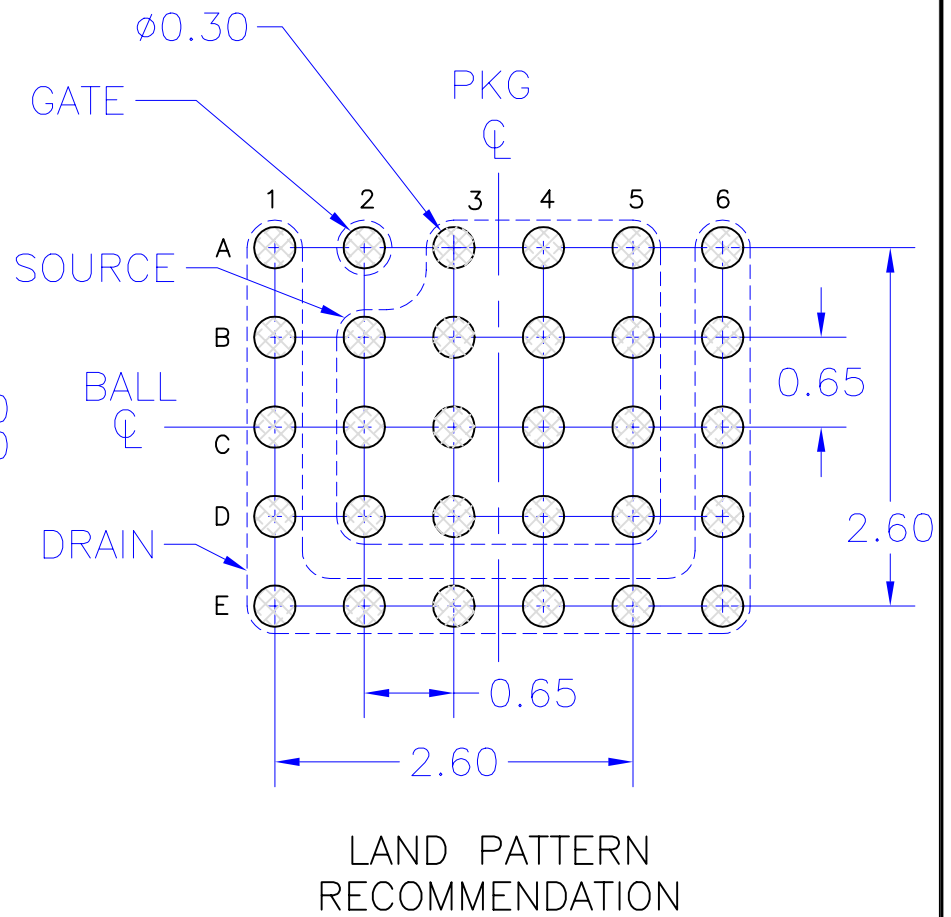
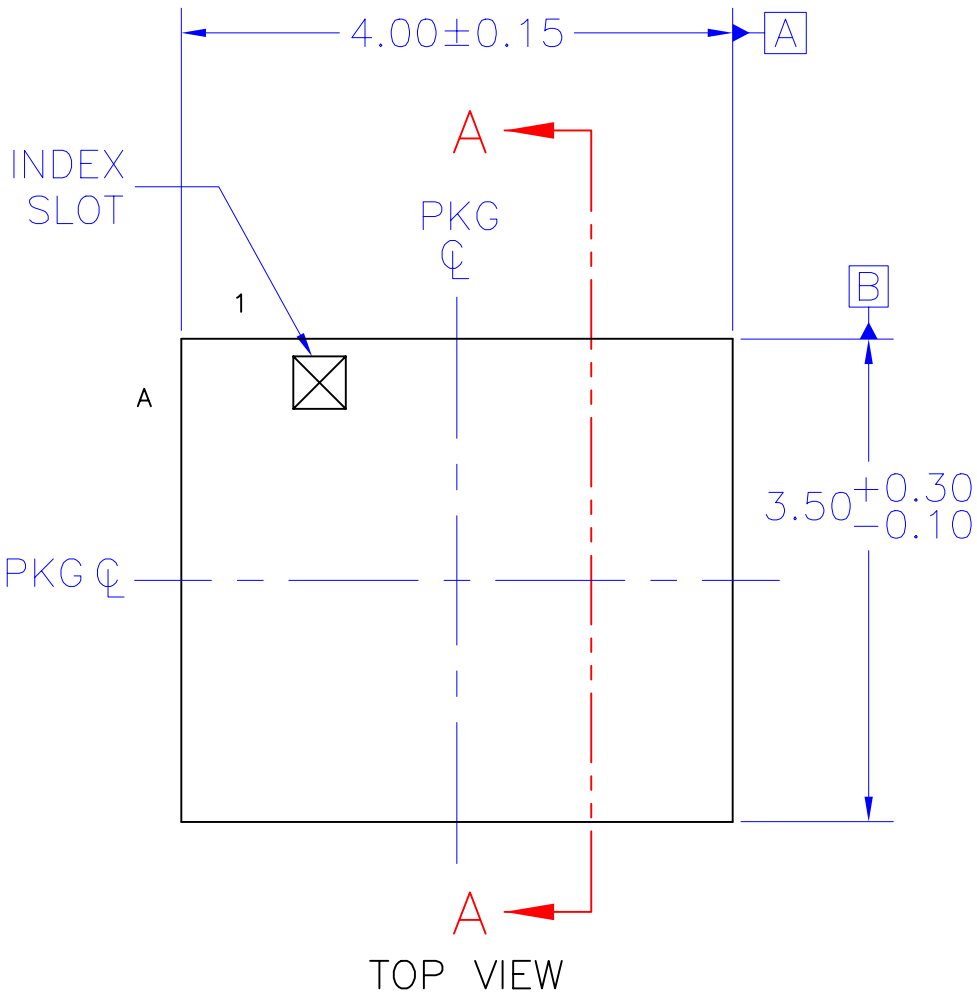


THIS DRAWING IS THE PROPERTY OF FAIRCHILD SEMICONDUCTOR CORPORATION. NO USE THEREOF SHALL BE MADE OTHER THAN AS A REFERENCE FOR PROPOSALS AS SUBMITTED TO FAIRCHILD SEMICONDUCTOR CORPORATION FOR JOBS TO BE EXECUTED IN CONFORMITY WITH SUCH PROPOSALS UNLESS THE CONSENT OF SAID FAIRCHILD SEMICONDUCTOR CORPORATION HAS PREVIOUSLY BEEN OBTAINED. NO PART OF THIS DRAWING SHALL BE COPIED OR DUPLICATED OR ITS CONTENTS DISCLOSED. THE INFORMATION CONTAINED ON THIS DRAWING IS CONFIDENTIAL AND PROPRIETARY.

REVISIONS

LTR	DESCRIPTION	E.C.N.	DATE	BY/APP'D
A	RELEASE TO DOCUMENT CONTROL	CB/029/02	25JAN2002	HG
B	ADD PKG CENT LINE; REM DATUM C AT BALL GEOM POS TOL; CHG Cu STUD DIA DIM FR $\phi 0.25 \pm 0.02$ TO $\phi 0.32 \pm 0.30$	CB/141/02	03MAY2002	HG
C	CHANGE BALL POS TOL FR 0.10 TO 0.05	CB/335/02	11NOV2002	HG



- NOTES: UNLESS OTHERWISE SPECIFIED
- A) ALL DIMENSIONS ARE IN MILLIMETERS.
 - B) NO JEDEC REGISTRATION REFERENCE AS OF JULY 1999.
 - C) TERMINAL CONFIGURATION TABLE

POSITION	DESIGNATION	TYPE
A1,B1,C1,D1,E1, E2,E3,E4,E5,E6, D6,C6,B6,A6	DRAIN	COPPER STUD
A2	GATE	SOLDER BALL
A3,A4,A5,B2,B3, B4,B5,C2,C3,C4, C5,D2,D3,D4,D5,	SOURCE	

BGA16AREVC

APPROVALS	DATE	FAIRCHILD SEMICONDUCTOR™		CEBU PHILIPPINES		
DRAWN: J. GOMEZ	11NOV2002	16BALL/14STUD, MOSFET BGA, 4X3.5MM BODY, ATALA		REV C		
CHECKED: H. GRANADA JR.						
APPROVED: M. GESTOLE						
G.S. BAJE		SCALE: 20:1	SIZE: A3	DRAWING NUMBER: MKT-BGA16A	FORMERLY: N/A	SHEET: 1 OF 1