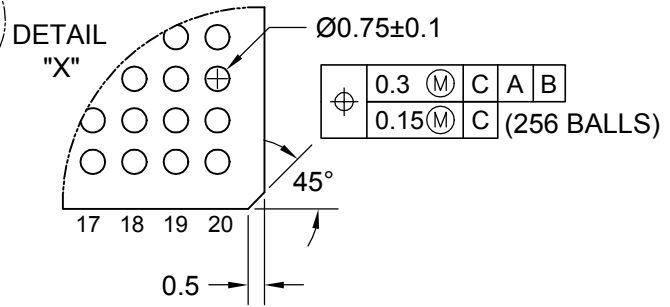
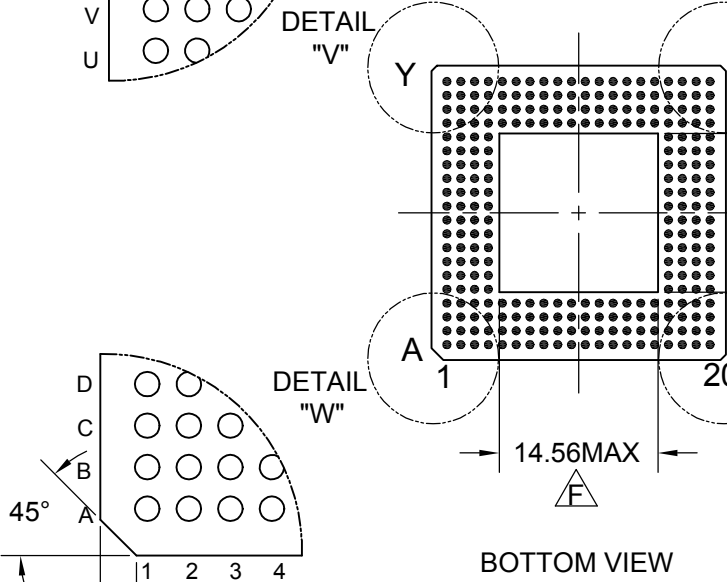
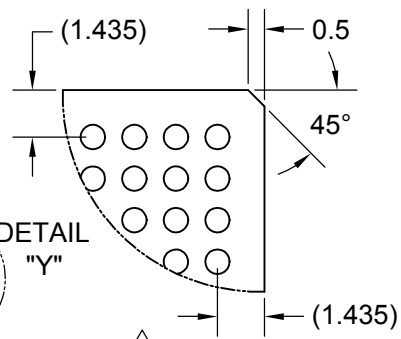
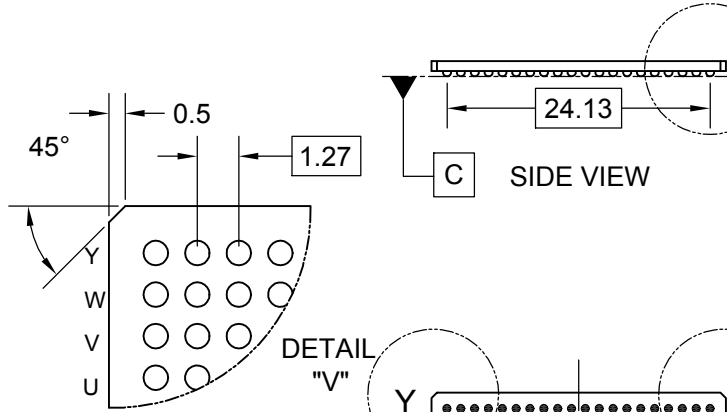
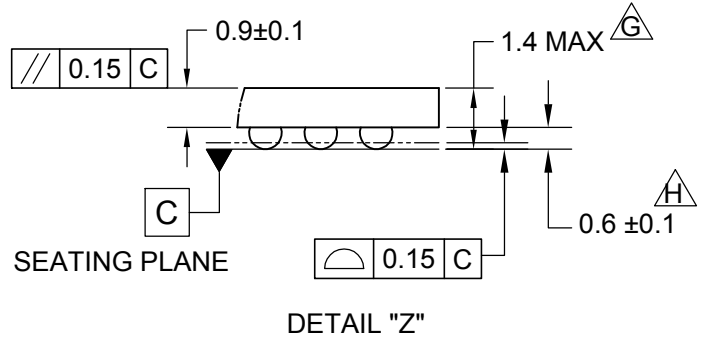
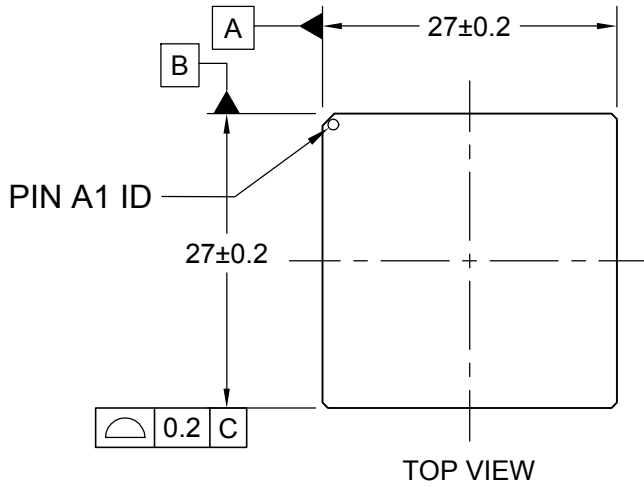


REVISIONS				
LTR	DESCRIPTION	EDCN	DATE	BY/APP'D
A	RELEASE TO DOCUMENT CONTROL	ECN-MKT-BGA256ArevA	08-05-2002	J.KINGSBURY
B	Add Corners Chamfers, Remove Pin A1 Triangle	ECN-MKT-BGA256ArevB	10-14-2002	J.KINGSBURY



NOTES:

- A) ALL DIMENSIONS IN MILLIMETERS.
- B) CONFORMS TO JEDEC MO-149. Variation (BG-2X)
- C) DIMENSIONING AND TOLERANCING PER ASME Y14.5M-1994.
- D) ROW NAMING ORDER;  
A B C D E F G H J K L M N P R T U V W Y
- E) COLUMN NAMING ORDER;  
1 2 3 4 5 6 7 8 9 10 11 12 13 14 15 16 17 18 19 20
- F) ENCAPSULATION SIZE WILL VARY WITH CAVITY SIZE.
- G) MAX STAND OFF FROM PCB AFTER MOUNTING.
- H) FREE BALL HEIGHT, NOT ATTACHED TO PCB.

BGA256ArevB

APPROVALS		DATE		82 RUNNING HILL RD. SOUTH PORTLAND, ME. 04106	
DRAWN J. KINGSBURY		08-05-2002		<b>256 Ball TBGA, JEDEC MO-149, 1.27MM PITCH, 27MM SQUARE</b>	
DFTG. CHK H. ALLEN		08-05-2002			
ENGR. CHK J. KINGSBURY		08-05-2002			
		SCALE	SIZE	DRAWING NUMBER	REV
MM		N/A	N/A	MKT-BGA256A	B
		DO NOT SCALE DRAWING		SHEET 1 of 1	