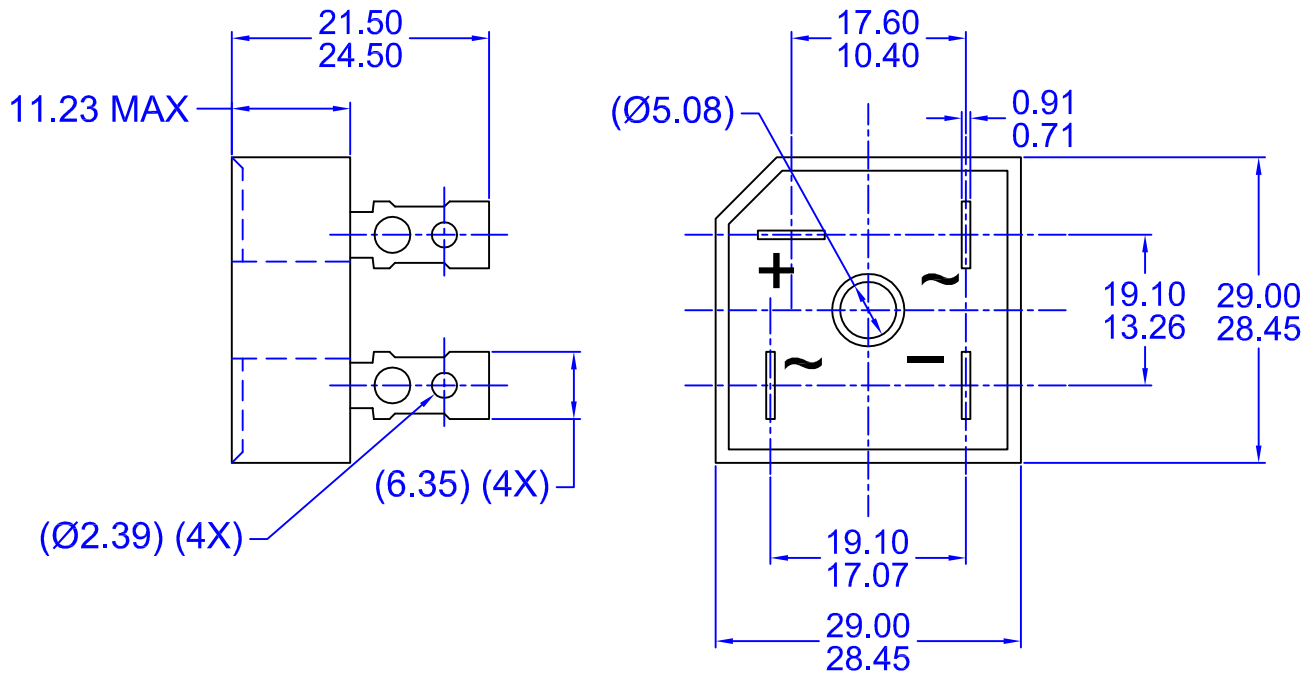
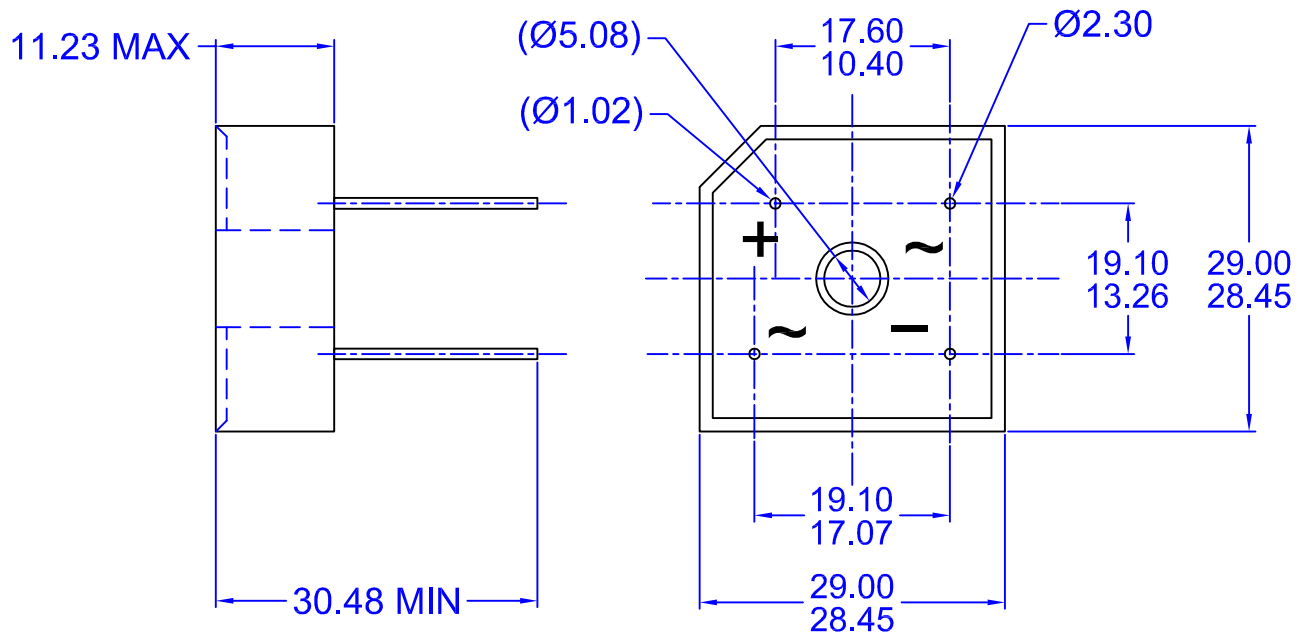


GBPC STYLE



GBPC-W STYLE



NOTES:

- A. NO INDUSTRY STANDARD APPLIES TO THIS PACKAGE.
- B. ALL DIMENSIONS ARE IN MILLIMETERS.
- C. DRAWING FILE NAME :MKT-GBPC04AREV1