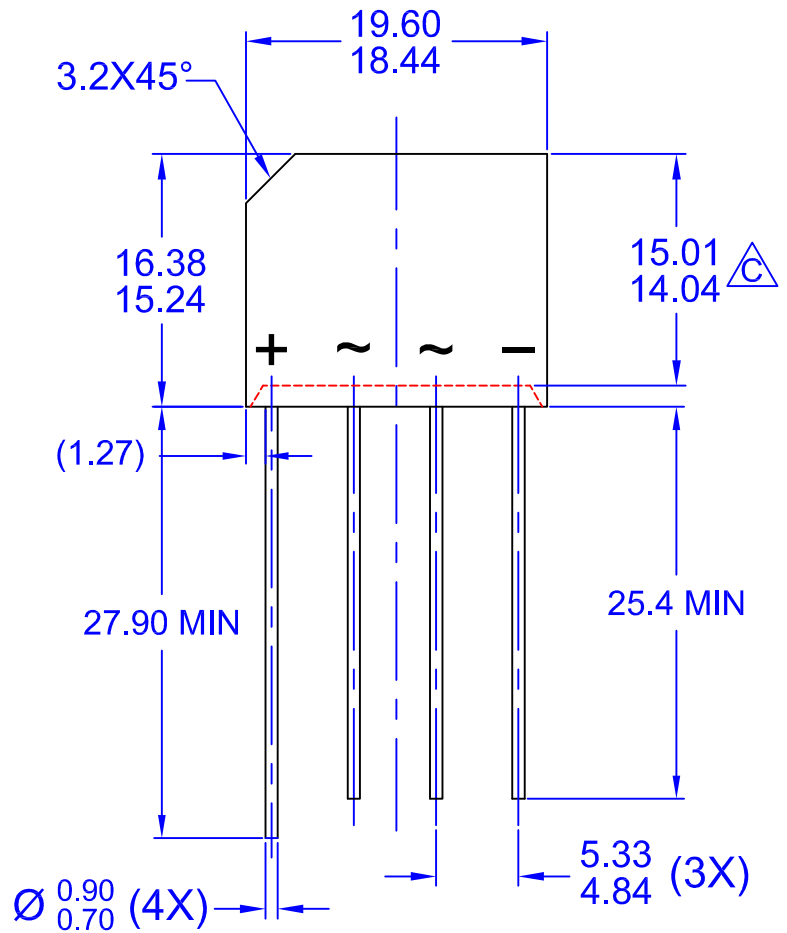
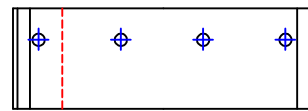


SIDE VIEW



FRONT VIEW



BOTTOM VIEW

NOTES:

- A. NO INDUSTRY STANDARD APPLIES TO THIS PACKAGE.
- B. CONTROLLING DIMENSIONS ARE MILLIMETERS.
- $\triangle C$ . OPTIONAL FEATURE DEPENDS ON SUPPLIER.
- D. DRAWING FILE NAME :KBL04AREV1.