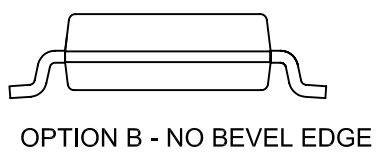
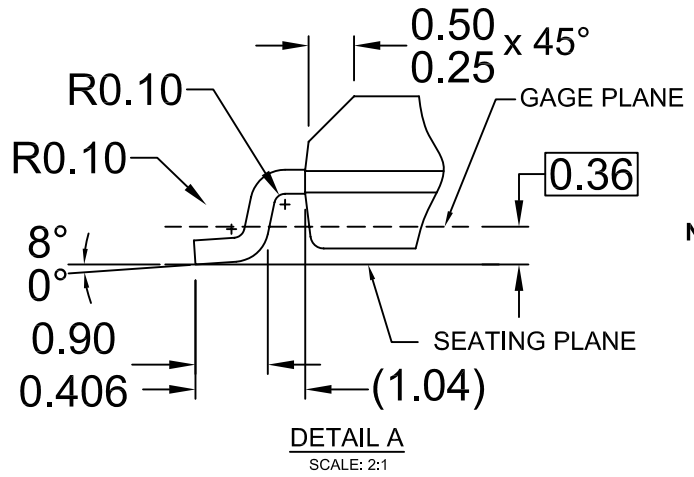
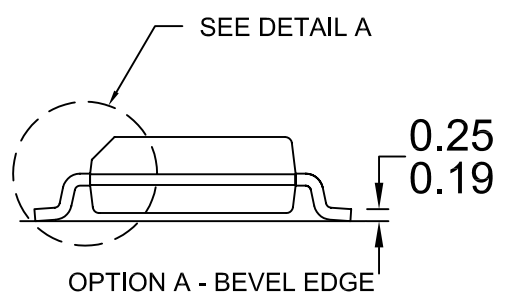
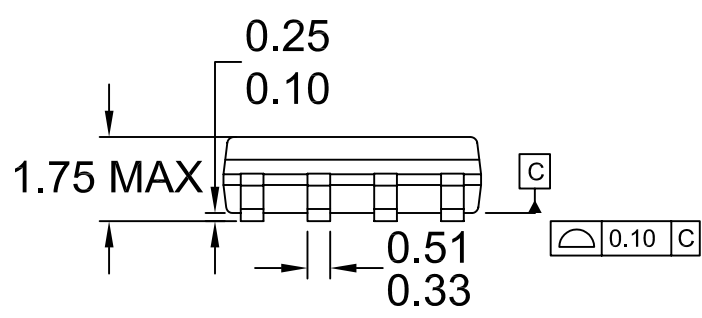
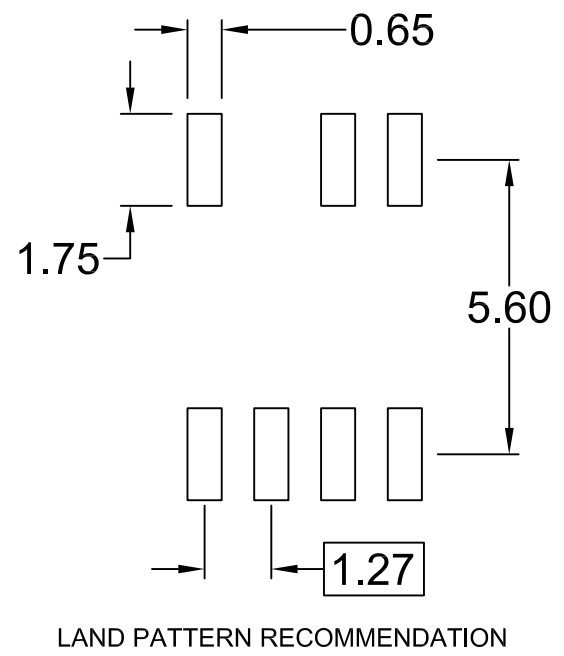
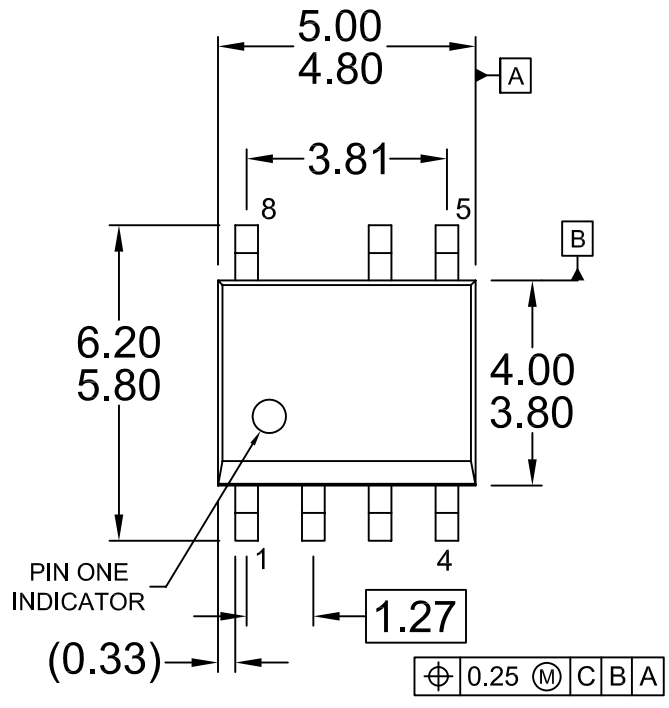


REVISIONS				
LTR	DESCRIPTION	DATE	BY/APP'D	SITE APP'D
01	New Drawing	04 JAN 08	K S Ch'ng	FSPM
02	Removed "NOT" in note A	05 FEB 09	K S Ch'ng	FSPM



- NOTES:**
- A) THIS PACKAGE CONFORMS TO JEDEC MS-012 VARIATION AA EXCEPT FOR MISSING PIN 7.
  - B) ALL DIMENSIONS ARE IN MILLIMETERS.
  - C) DIMENSIONS DO NOT INCLUDE MOLD FLASH OR BURRS.
  - D) DRAWING FILENAME: M07AREV2

APPROVALS		DATE			
DRAWN	KS CH'NG	05 Jan 09			
DFTG. CHK.	David C	06 Jan 09			
ENGR. CHK.					
			7LD, SOIC, JEDEC, 0.150" NARROW BODY		
PROJECTION		SCALE	SIZE	DRAWING NUMBER	REV
		N/A	C	MKT-M07A	2
		DO NOT SCALE DRAWING		SHEET	1 of 1