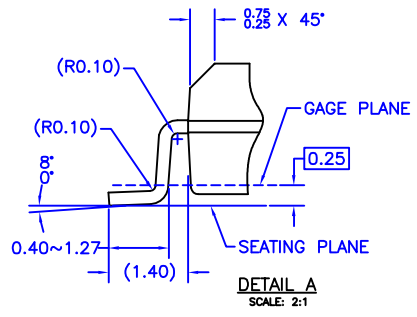
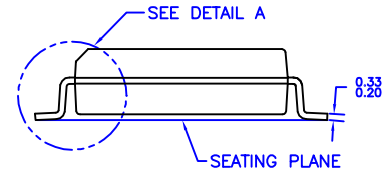
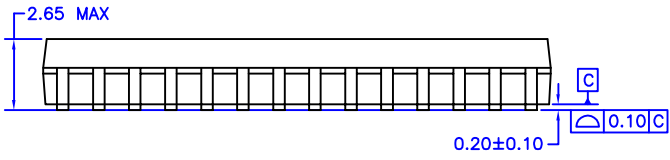
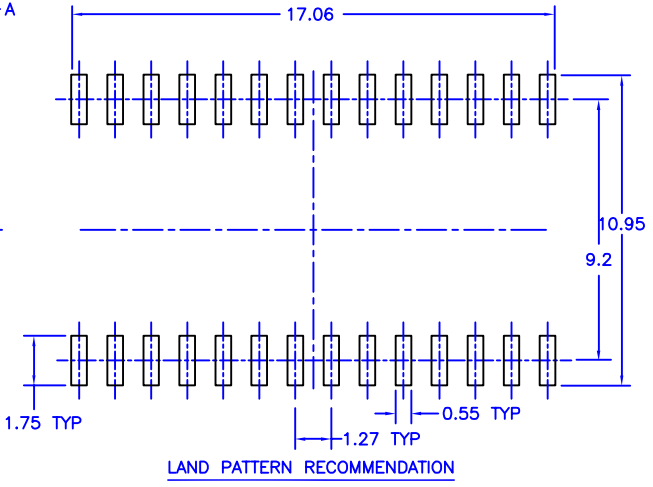
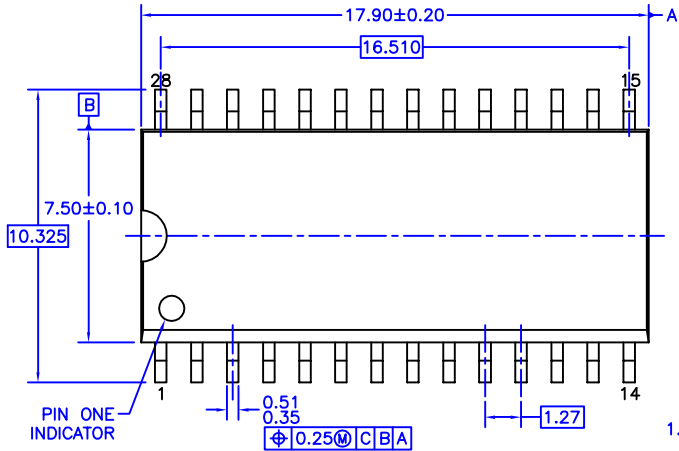


REVISIONS

LTR	DESCRIPTION	E.C.N.	DATE	BY/APP'D
F	NEW MARKING DWG.		Jan-1999	FEITAN
2	UPDATED DWG. TO CURRENT STD. FORMAT.		15-Mar-2007	J Chan



- NOTES: UNLESS OTHERWISE SPECIFIED
- A) THIS PACKAGE CONFORMS TO JEDEC MS-013, ISSUE E, DATED SEPT 2005.
  - B) ALL DIMENSIONS ARE IN MILLIMETERS.
  - C) DIMENSIONS DO NOT INCLUDE MOLD FLASH OR BURRS.
  - D) LANDPATTERN STANDARD: SOIC127P1030X265-28L
  - E) DRAWING FILENAME: MKT-M28BREV2

M28BREV2

APPROVALS	DATE	Bayan Lepas, FIZ, 11900, Penang, Malaysia.
DRAWN J Chan	14 Mar 07	
DFTG. CHK H.ALLEN	20 Mar 07	
ENGR. CHK.		
28LD, SOIC, JEDEC MS-013, 0.300" WIDE BODY		
SCALE N/A SIZE C DRAWING NUMBER MKT-M28B		REV 2
DO NOT SCALE DRAWING		SHEET 1 of 1

