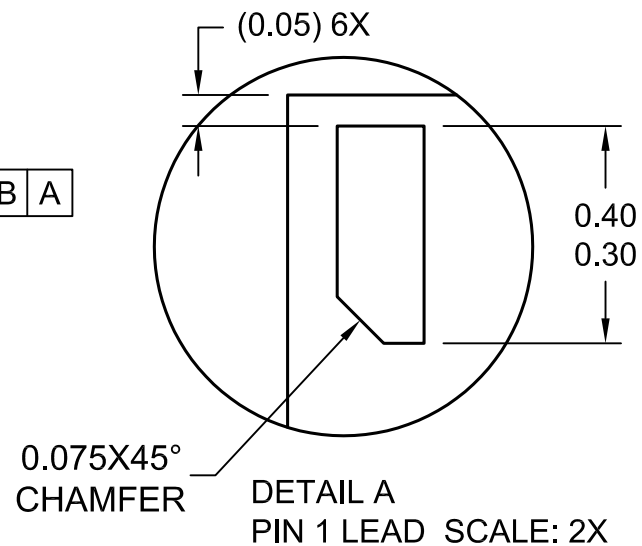


ALTERNATIVE LAND PATTERN FOR UNIVERSAL APPLICATION



NOTES:

- A. COMPLIES TO JEDEC MO-252 STANDARD
- B. DIMENSIONS ARE IN MILLIMETERS.
- C. DIMENSIONS AND TOLERANCES PER ASME Y14.5M, 1994
- D. LANDPATTERN RECOMMENDATION IS BASED ON FSC DESIGN.
- E. DRAWING FILENAME AND REVISION: MGF06AREV3