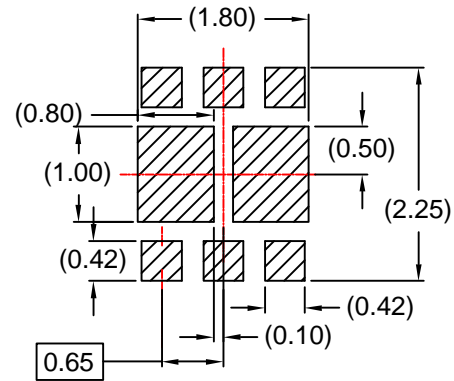
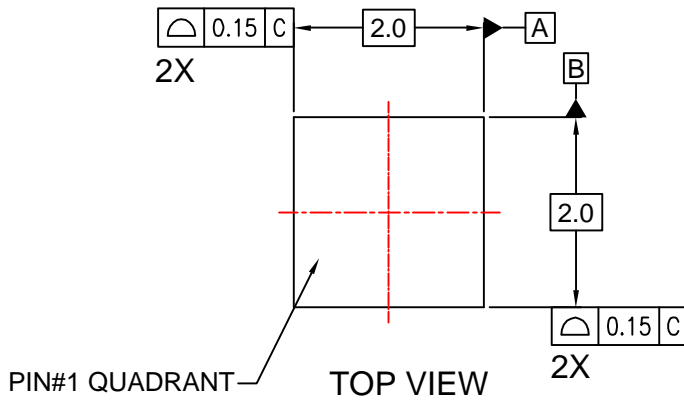
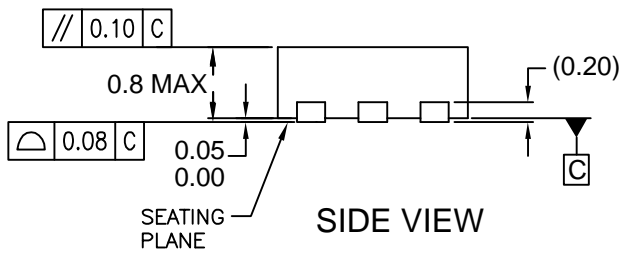


REVISIONS

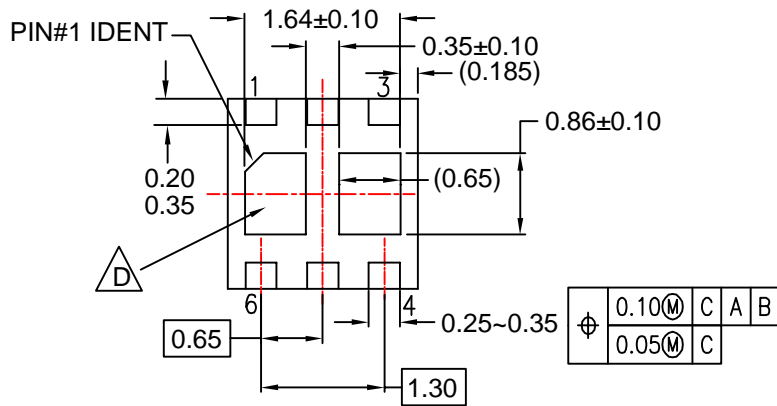
LTR	DESCRIPTION	EDCN	DATE	BY/APPRO
A	RELEASE TO DOCUMENT CONTROL		24-9-2004	DAVID
B	REVISED DAP SIZE & LEAD LENGTH, ADDED DAP TOLERANCE, NOTE "D"	FSC-MKT-MLP06J_B	23-09-2005	HALLEN



RECOMMENDED LAND PATTERN



SIDE VIEW



BOTTOM VIEW

NOTES:

- A. CONFORMS TO JEDEC REGISTRATION MO-229, VARIATION VCCC EXCEPT AS NOTED.
- B. DIMENSIONS ARE IN MILLIMETERS.
- C. DIMENSIONS AND TOLERANCES PER

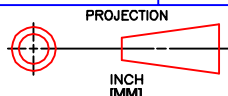
ASME Y14.5M, 1994

NON-JEDEC DUAL DAP

APPROVALS	DATE
DRAWN FEITAN	24-9-2004
DFTG. CHK. H.ALLEN	22-9-2005
ENGR. CHK. JKINGSBURY	23-9-2005

FAIRCHILD Bayan Lepas, FIZ,
SEMICONDUCTOR 11900, Penang, Malaysia.
**6LD,MLP DUAL,JEDEC MO-229,
DUAL DAP, 2MM SQUARE**

MLP06JrevB



SCALE	SIZE	DRAWING NUMBER	REV
N/A	N/A	MKT-MLP06J	B
DO NOT SCALE DRAWING			SHEET 1 of 1