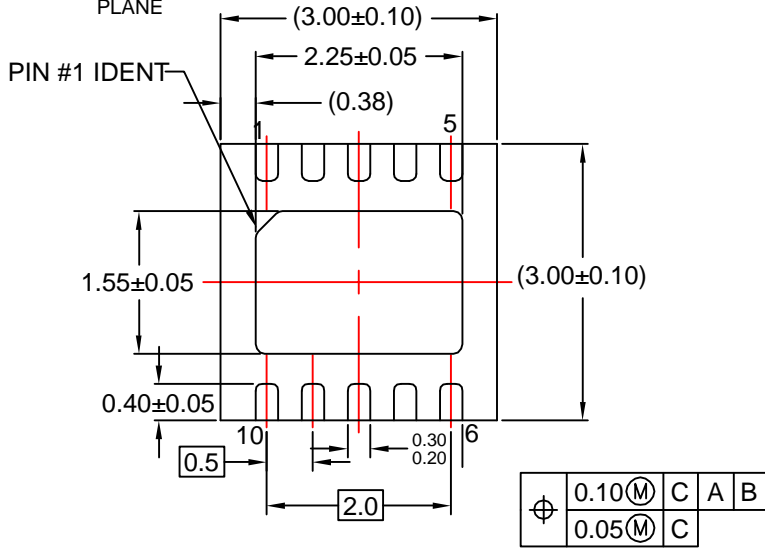
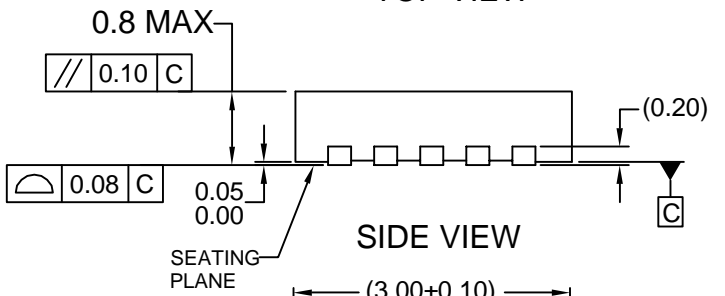
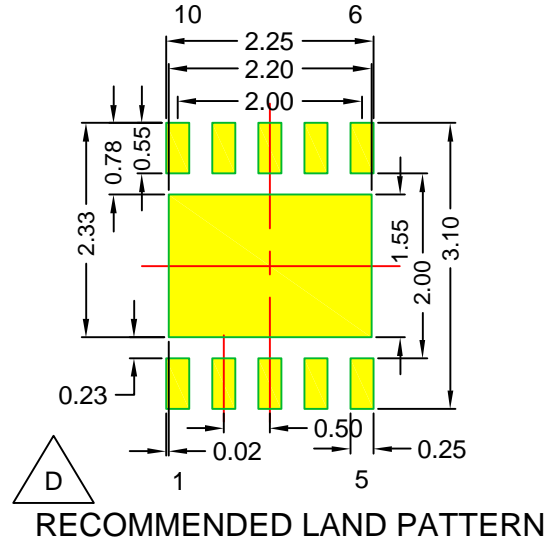
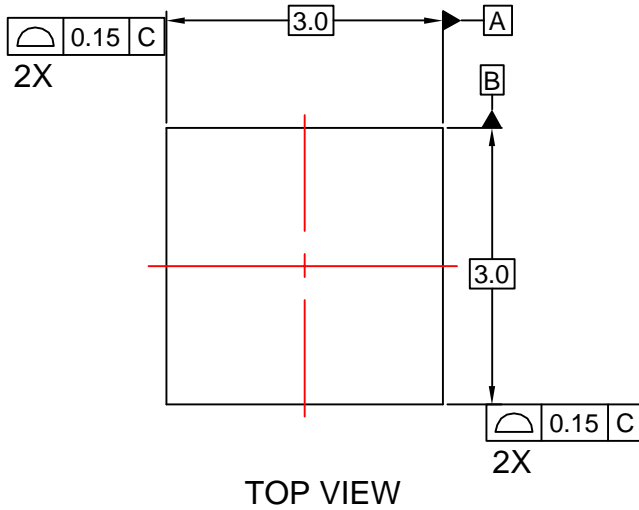


REVISIONS

LTR	DESCRIPTION	EDCN	DATE	BY/APP'D
A	RELEASE TO DOCUMENT CONTROL	FSC-MKT-MLP10B	29-11-2005	H.ALLEN



NOTES:

A. CONFORMS TO JEDEC REGISTRATION MO-229, VARIATION WEED-5

B. DIMENSIONS ARE IN MILLIMETERS.

C. DIMENSIONS AND TOLERANCES PER ASME Y14.5M, 1994

△ LAND PATTERN DIMENSIONS ARE NOMINAL REFERENCE VALUES ONLY

MLP10BrevA

APPROVALS		DATE	Bayan Lepas, FIZ, 11900, Penang, Malaysia.		
DRAWN	H.ALLEN	16-11-2005			
DFTG. CHK.	H.ALLEN	16-11-2005			
ENGR. CHK.	J.KINGSBURY	29-11-2005			
10LD, MLP, DUAL, JEDEC MO-229,3MM SQUARE					
PROJECTION INCH MM		SCALE	SIZE	DRAWING NUMBER	REV
		N/A	N/A	MKT-MLP10B	A
DO NOT SCALE DRAWING				SHEET 1 of 1	