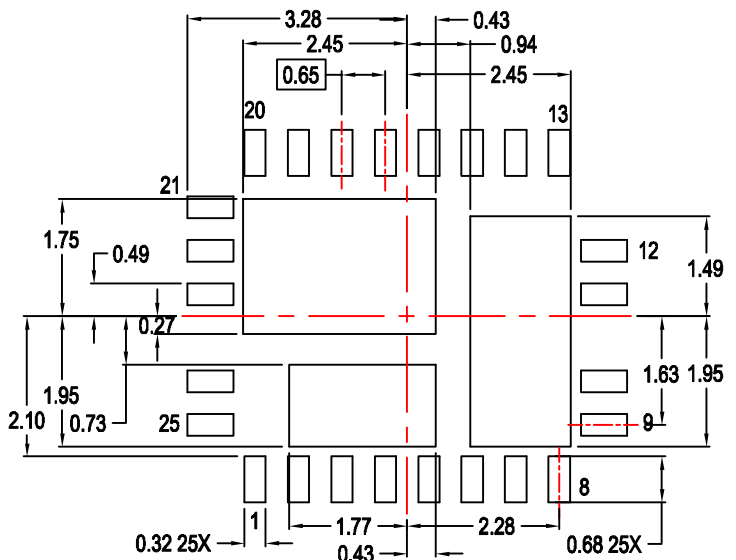
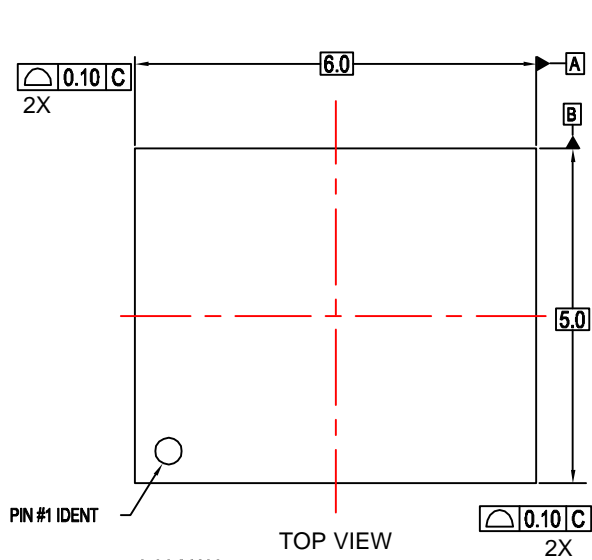
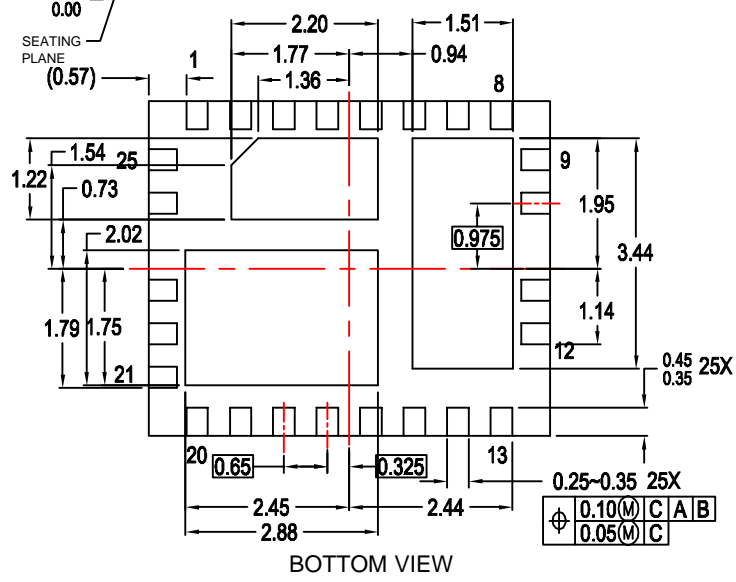
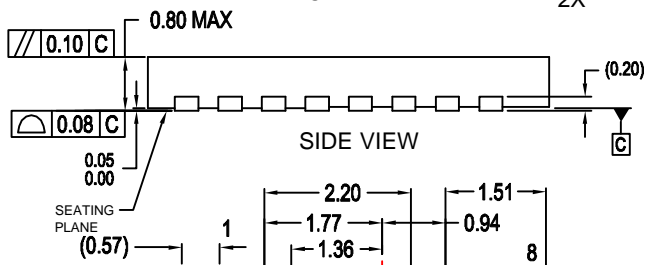


**REVISIONS**

| LTR | DESCRIPTION  | DATE        | BY/SITE      |
|-----|--|-------------|--------------|
| 1   | RELEASE TO DOCUMENT CONTROL                                    | 12-Jul-2007 | J.Chan/FSPM  |
| 1   | ADDED DIMENSIONS TO BOTTOM VIEW AND LANDPATTERN RECOMMENDATION | 7-SEPT-2007 | H.ALLEN/FSME |



RECOMMENDED LAND PATTERN  
ALL VALUES TYPICAL EXCEPT WHERE NOTED



**NOTES: UNLESS OTHERWISE SPECIFIED**

- A) DIMENSIONS ARE IN MILLIMETERS.
- B) DIMENSIONS AND TOLERANCES PER ASME Y14.5M, 1994
- C) DIMENSIONS DO NOT INCLUDE MOLD FLASH OR BURRS.
- D) DESIGN BASED ON JEDEC MO-220 VARIATION WJHC
- E) TERMINALS ARE SYMMETRICAL AROUND THE X & Y AXIS EXCEPT WHERE DEPOPULATED.
- F) DRAWING FILENAME: MKT-MLP25AREV2

|   |          |                      |   |
|---|----------|----------------------|---|
| <b>APPROVALS</b>  |          | <b>DATE</b>          | Bayan Lepas, FIZ,<br>11900, Penang, Malaysia. |
| DRAWN   | H.ALLEN  | 7-SEPT-07            |   |
| DFTG. CHK.  | S.MARTIN | 7-SEPT-07            |   |
| ENGR. CHK.  |          |                      |   |
| <b>25LD, MLP, QUAD, NON-JEDEC,<br/>6x5MM TRIPLE DAP</b> |          |                      |   |
|   |          | SCALE                | REV   |
|   |          | N/A                  | 2   |
|   |          | SIZE                 |   |
|   |          | N/A                  |   |
|   |          | DRAWING NUMBER       |   |
|   |          | MKT-MLP25A           |   |
|   |          | DO NOT SCALE DRAWING | SHEET 1 of 1                                  |