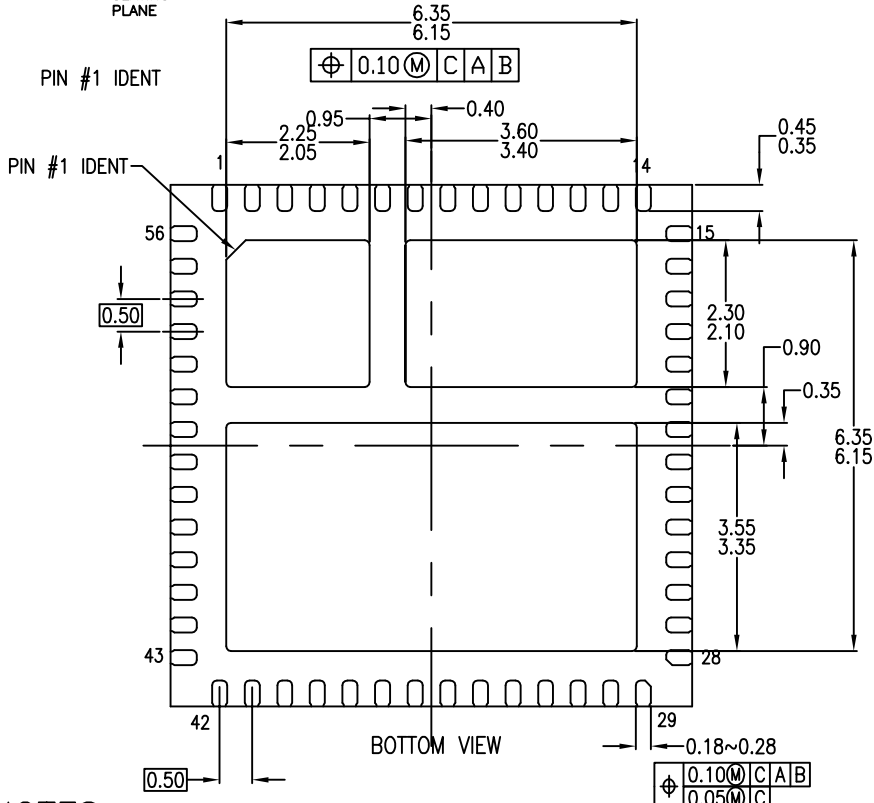
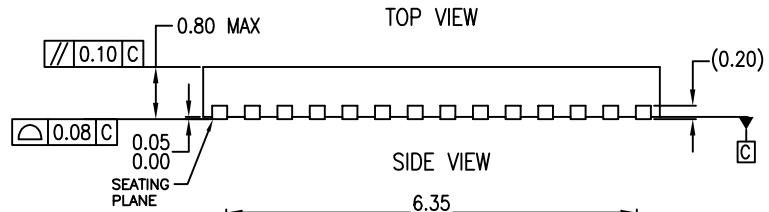
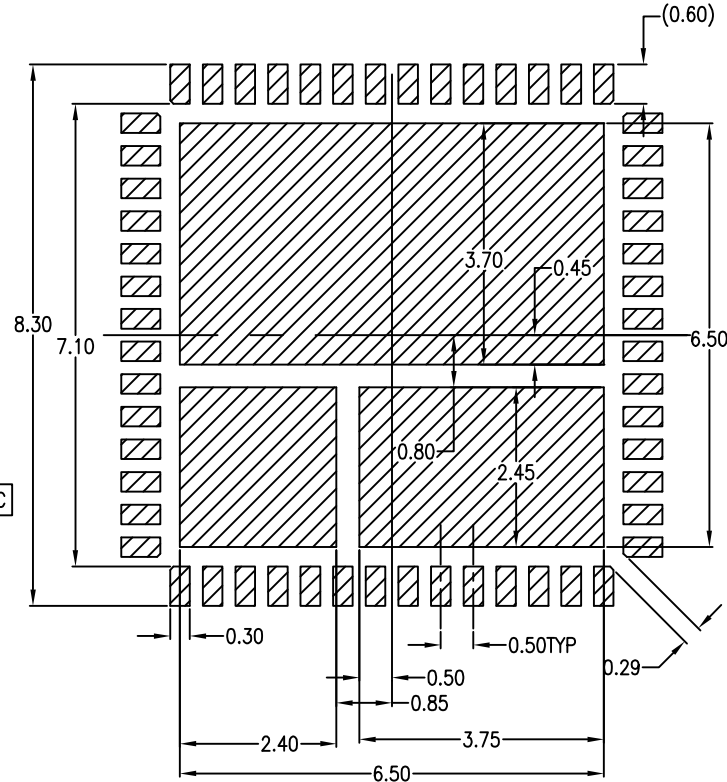
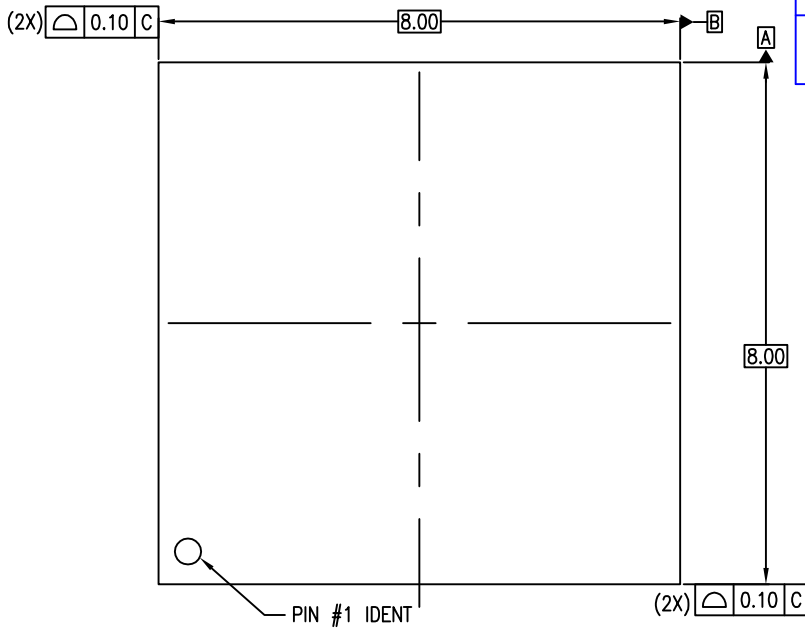


REVISIONS



LTR	DESCRIPTION	EDCN	DATE	BY/APP'D
1	Released to Document Control	106769	22/03/07	LY LIM



RECOMMENDED LAND PATTERN

NOTES:

- A. CONFORMS TO JEDEC REGISTRATION MO-220, VARIATION wlld-5 EXCEPT FOR THERMAL PAD SIZES
- B. DIMENSIONS ARE IN MILLIMETERS.
- C. DIMENSIONS ARE NOT INCLUSIVE OF BURRS, MOLD FLASH, NOR TIE BAR PROTRUSIONS.
- D. DRAWING FILE NAME ; MLP056REV1

APPROVALS	DATE	 Bayan Lepas FIZ 11900, Penang, Malaysia	
DRAWN Ly Lim	3-14-2006		
DETG. CHK. David Chong	3-14-2006		
ENGR. CHK. David Chong	3-14-2006		
PROJECTION  INCH MM		56LD, MLP, QUAD, JEDEC MO-220 VAR WLLD-5,6, 8X8 MM	
SCALE	SIZE	DRAWING NUMBER	REV
N/A	N/A	MKT-MLP056B	1
DO NOT SCALE DRAWING			SHEET 1 of 1