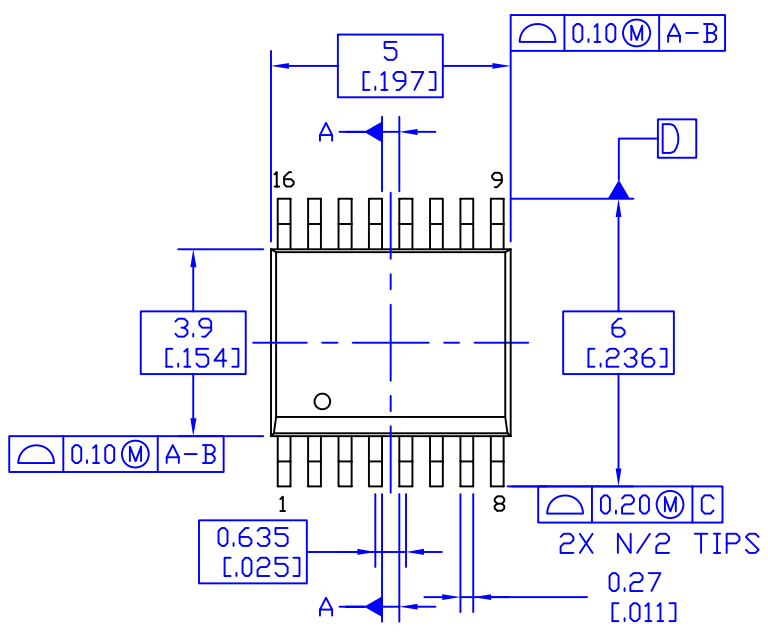
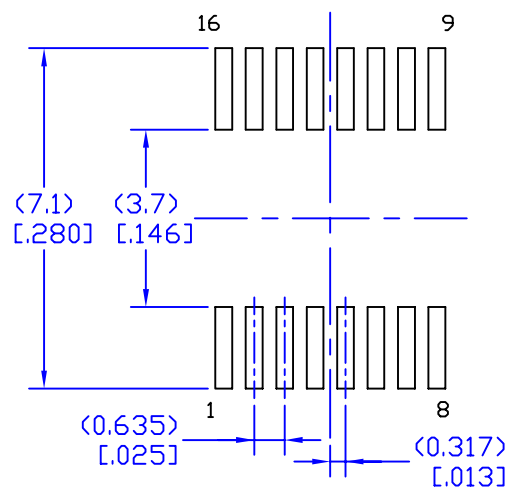


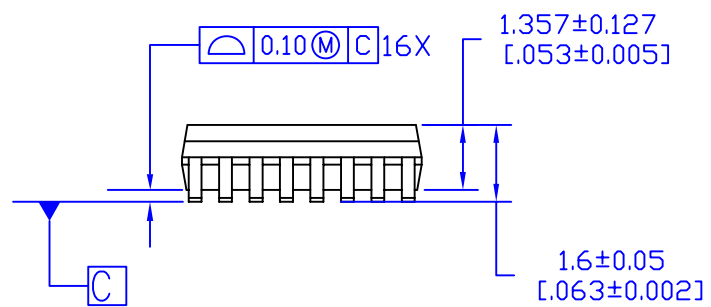
REVISIONS				
LTR	DESCRIPTION	EDCN	DATE	BY/APP'D
A	RELEASE TO MARKETING			
B	UPDATED FORMAT AND DUAL TOLERANCES	ECN-MKT- MQA16ArevB	06/09/2005	J. KINGSBURY



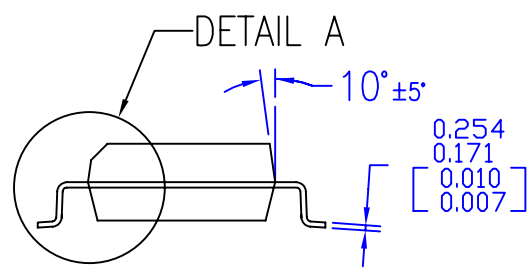
TOP VIEW



LAND PATTERN RECOMMENDATION



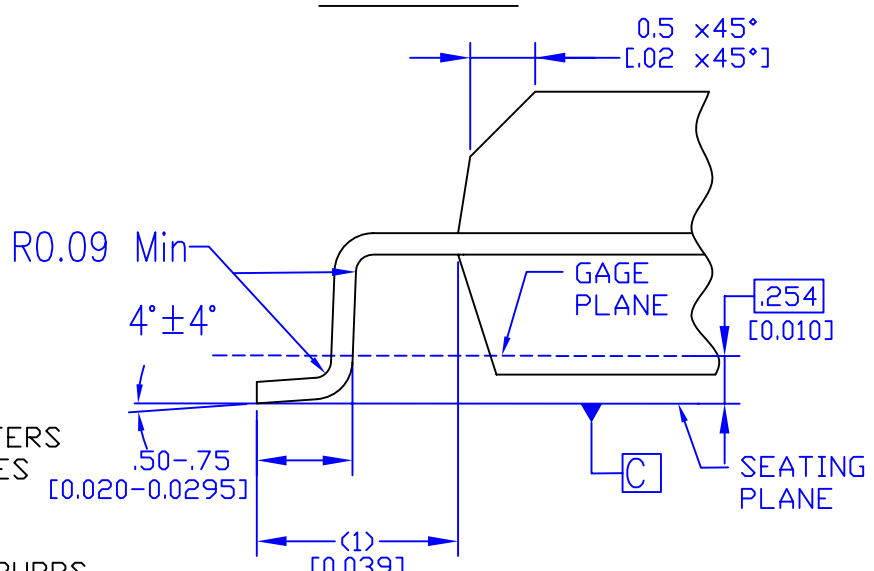
SIDE VIEW



END VIEW

NOTES :

- A. THIS PACKAGE CONFORMS TO JEDEC MO-137 VARIATION AB
- B. PRIMARY DIMENSIONS IN MILLIMETERS
REFERENCE DIMENSIONS IN INCHES
- C. DRAWING CONFORMS TO ASME Y14.5M-1994
- D. DIMENSIONS ARE EXCLUSIVE OF BURRS, MOLD FLASH, AND TIE BAR EXTRUSIONS.



DETAIL A

MQA16AREVB

APPROVALS		DATE	Bayan Lepas, FIZ, 11900, Penang, Malaysia.
DRAWN J. KINGSBURY		05-16-2005	
DFTG. CHK. Fei Tan		06-09-2005	
ENGR. CHK. D Chong		06-09-2005	
16LD, QSOP, JEDEC MO-137, .150" WIDE			
		SCALE N/A	SIZE N/A
		DRAWING NUMBER MKT-MQA16A	REV B
		DO NOT SCALE DRAWING	SHEET 1 of 1