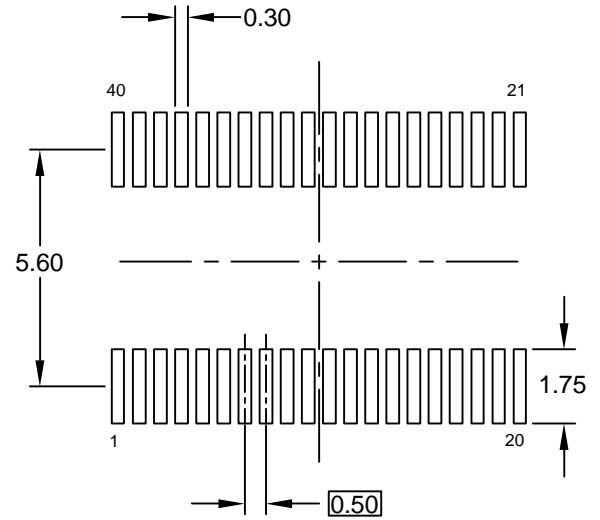
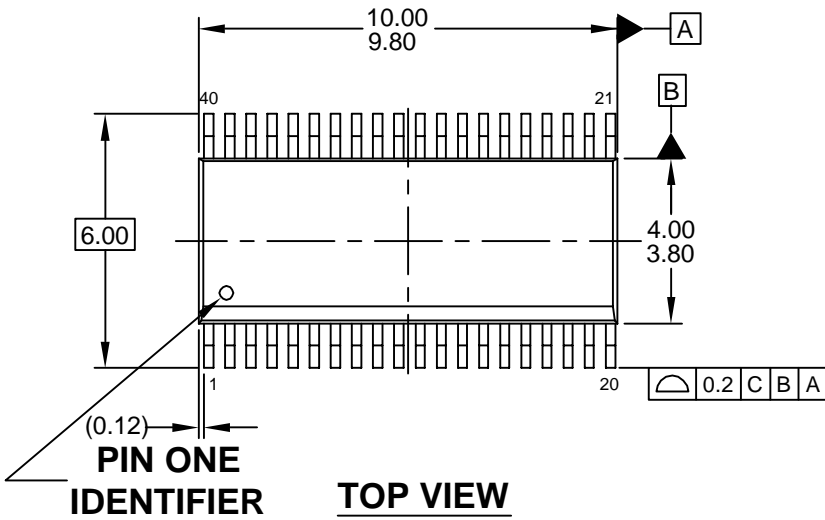
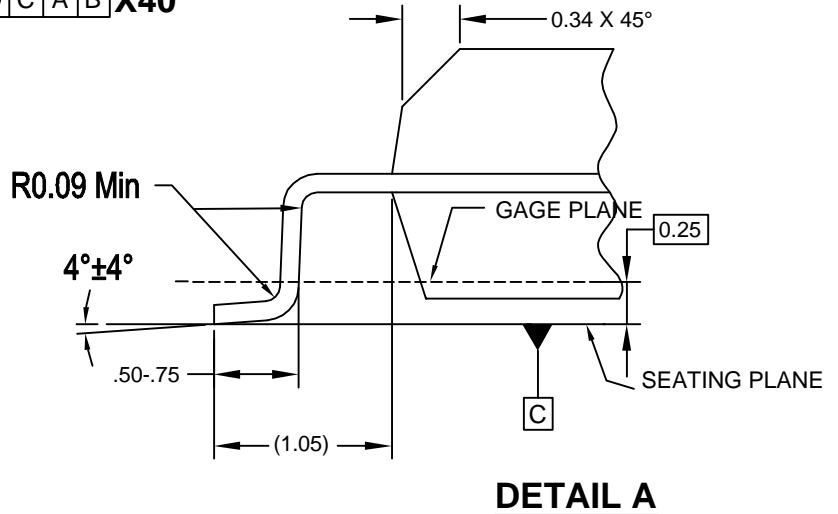
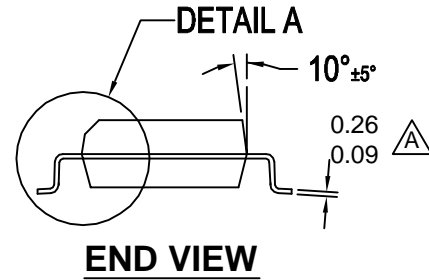
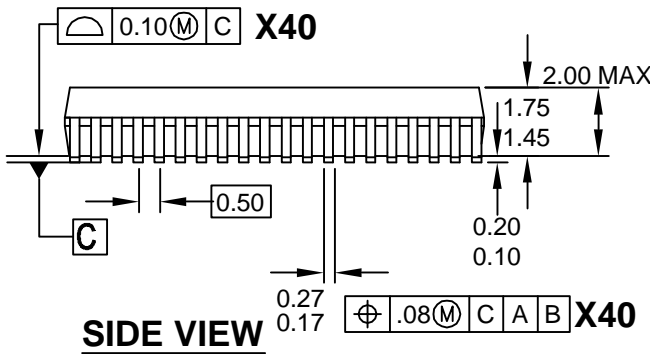


REVISIONS			
LTR	DESCRIPTION	DATE	BY/APPD
A	RELEASE TO MARKETING	01/24/2002	S.KONG
2	DRAWING RECREATED & UPDATED TO MKT-0001	22 AUG 07	L.HUEBENER



⌀ 0.178 (M) C A-B D



NOTES : UNLESS OTHERWISE NOTED

- A. THIS PACKAGE CONFORMS TO JEDEC M0-154 VARIATION BB
- B. ALL DIMENSIONS ARE IN MILLIMETERS
- C. DRAWING CONFORMS TO ASME Y14.5M-1994
- D. DIMENSIONS ARE EXCLUSIVE OF BURRS, MOLD FLASH, AND TIE BAR EXTRUSIONS
- E. LAND PATTERN STANDARD: SOP50P600X200-80M
- F. DRAWING FILE NAME: MQA40AREV2

APPROVALS		DATE	FAIRCHILD SEMICONDUCTOR			
DRAWN	L.HUEBENER	22 AUG 07		40LD, QSOP, JEDEC MO-154, VARIATION BB, .150" WIDE		
DFTG. CHK.						
ENGR. CHK.						
			SCALE	SIZE	DRAWING NUMBER	REV
			N/A	N/A	MKT-MQA40A	2
			DO NOT SCALE DRAWING		SHEET 1 of 1	