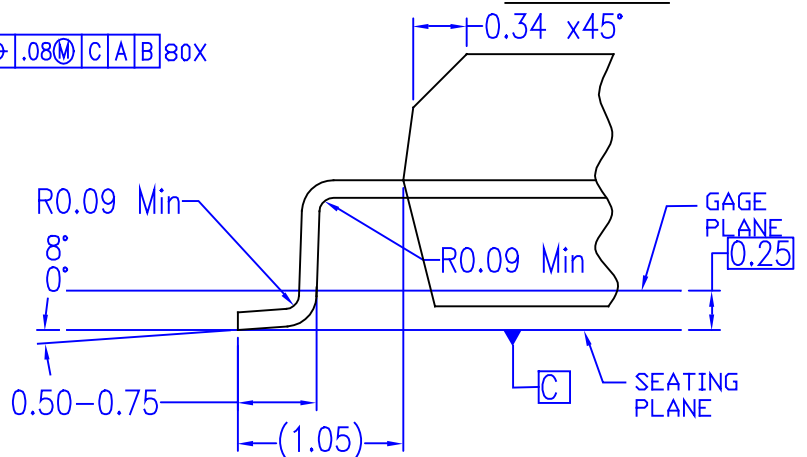
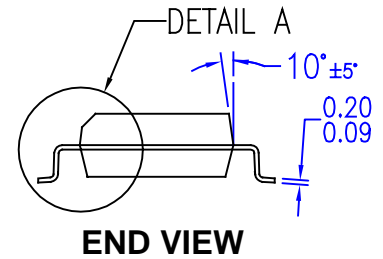
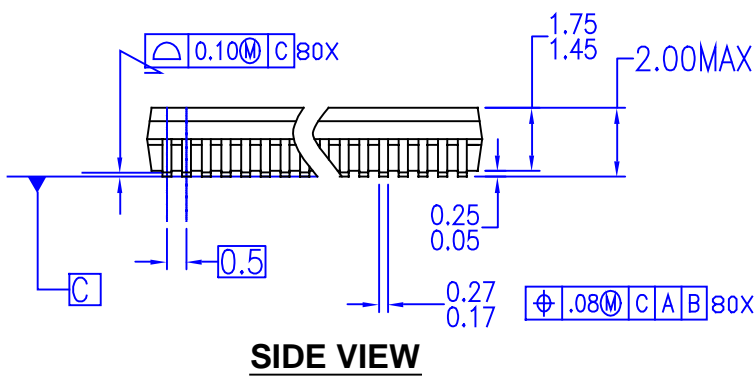
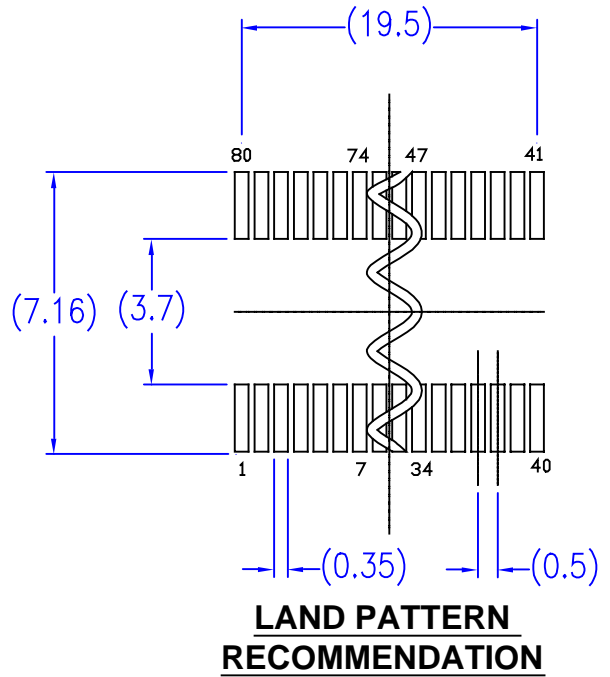
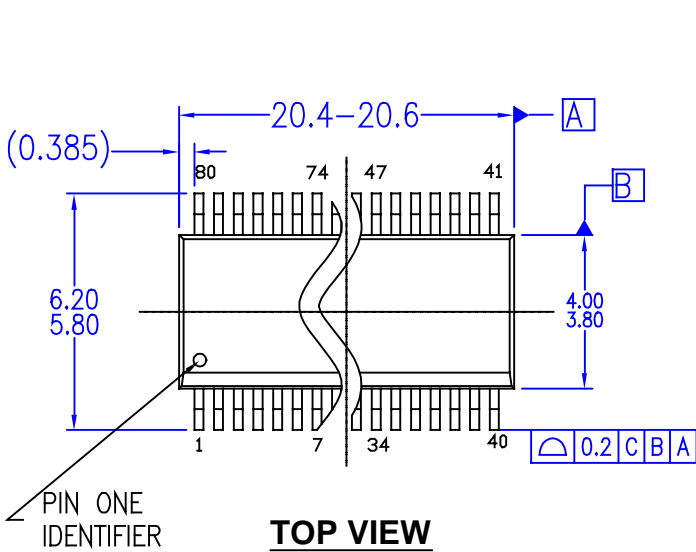


THIS DRAWING IS THE PROPERTY OF FAIRCHILD SEMICONDUCTOR CORPORATION. NO USE THEREOF SHALL BE MADE OTHER THAN AS A REFERENCE FOR PROPOSALS AS SUBMITTED TO FAIRCHILD SEMICONDUCTOR CORPORATION FOR JOBS TO BE EXECUTED IN CONFORMITY WITH SUCH PROPOSALS UNLESS THE CONSENT OF SAID FAIRCHILD SEMICONDUCTOR CORPORATION HAS PREVIOUSLY BEEN OBTAINED. NO PART OF THIS DRAWING SHALL BE COPIED OR DUPLICATED OR ITS CONTENTS DISCLOSED. THE INFORMATION CONTAINED ON THIS DRAWING IS CONFIDENTIAL AND PROPRIETARY.

REVISIONS

LTR	DESCRIPTION	EDCN	DATE	BY/APP'D
A	RELEASE TO MARKETING		7/19/2001	H.ALLEN



NOTES:

- A. THIS PACKAGE CONFORMS TO JEDEC M0-154 VERSION BC
- B. ALL DIMENSIONS IN MILLIMETERS
- C. DRAWING CONFORMS TO ASME Y14.5M-1994
- D. DIMENSIONS ARE EXCLUSIVE OF BURRS, MOLD FLASH, AND TIE BAR EXTRUSIONS.

MQA80AREVA

APPROVALS	DATE	FAIRCHILD SEMICONDUCTOR		
DRAWN: J.Kingsbury	03-23-2001	333 Western Ave. S. Portland, Maine		
DFTG. CHK: H ALLEN	03-23-01	80LD, QVSOP, JEDEC M0-154, .150" WIDE		
ENGR. CHK: H ALLEN	03-23-01	SCALE: N/A	SIZE: N/A	REV: 1
		DRAWING NUMBER: MKT-MQA80A	SHEET 1 of 1	