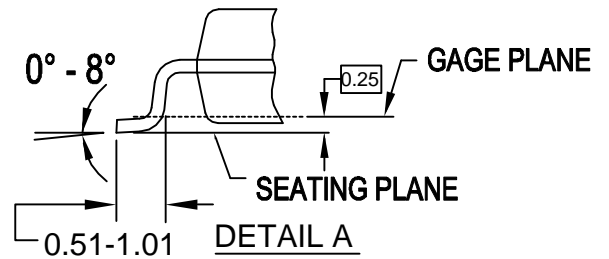
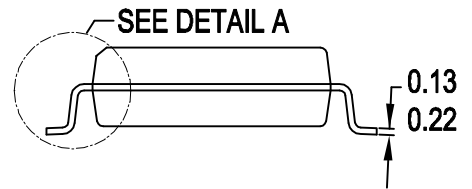
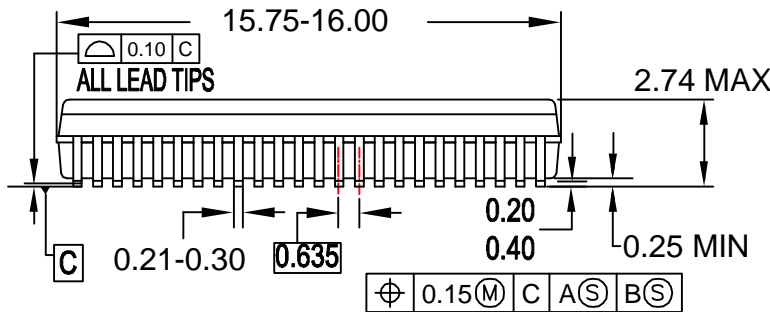
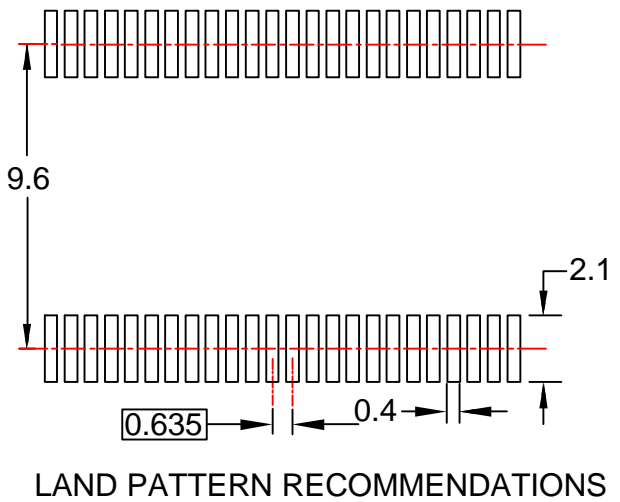
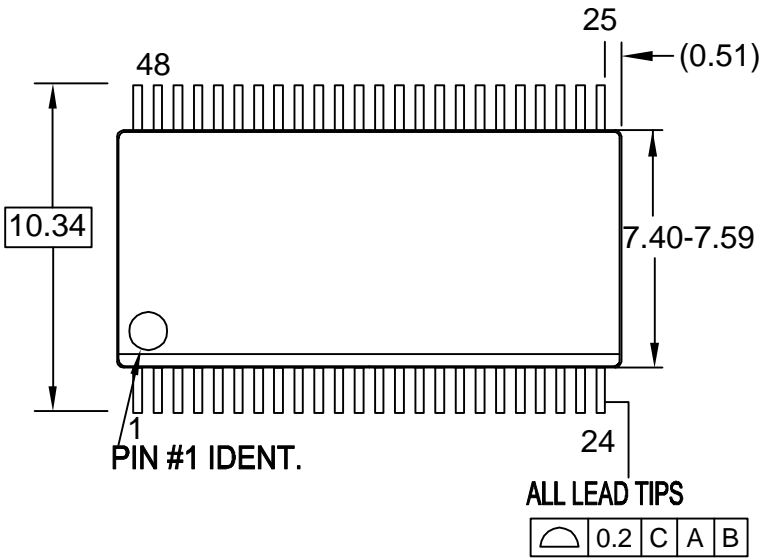


REVISIONS				
REV	DESCRIPTION	EDCN	DATE	BY/APP'D
6	RECREATED DRAWING	ECN-MKT-MS48AR6	17 JULY 07	L.HUEBENER



**NOTES:**

- A. CONFORMS TO JEDEC REGISTRATION MO-118, VARIATION AA.
- B. DIMENSIONS ARE IN MILLIMETERS.
- C. DIMENSIONS ARE EXCLUSIVE OF BURRS, MOLD FLASH, AND TIE BAR EXTRUSIONS.
- D. DIMENSIONS AND TOLERANCES PER ASME Y14.5M - 1994.
- E. LANDPATTERN STANDARD: SOP63P1035X274-48M.
- F. DRAWING FILE NAME: MKT-MS48AREV6.

APPROVALS	DATE	FAIRCHILD SEMICONDUCTOR			
DRAWN: L.HUEBENER	17 JULY 07	48LD, SSOP, JEDEC MO-118, 7.6MM WIDE			
DFTG. CHK: H.ALLEN	31 JULY 07				
ENGR. CHK:					
		SCALE: N/A	SIZE: N/A	DRAWING NUMBER: MKT-MS48A	REV: 6
		DO NOT SCALE DRAWING		SHEET 1 of 1	