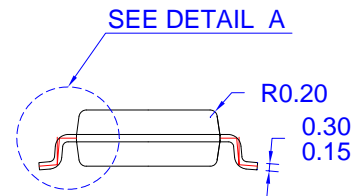
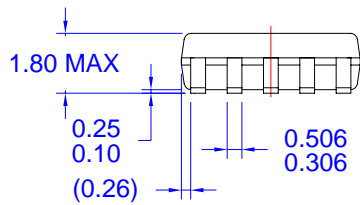
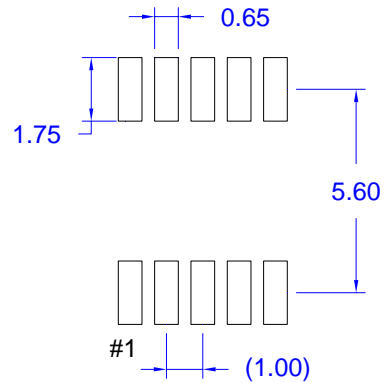
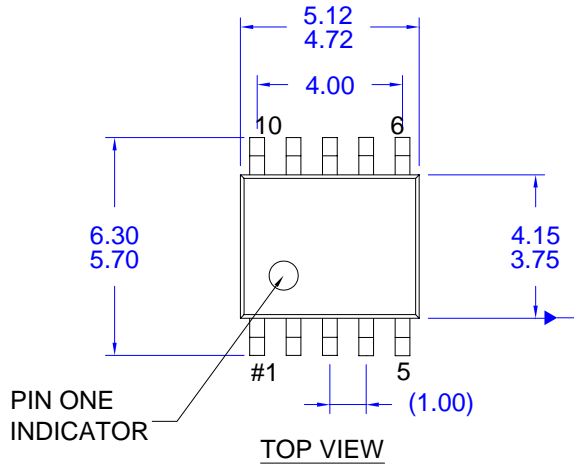


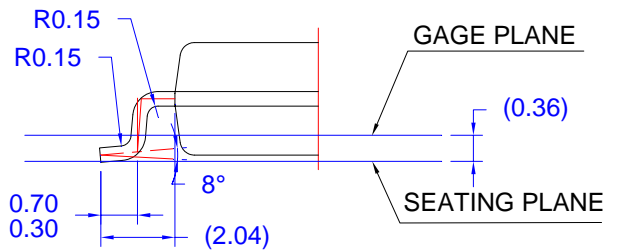
REVISIONS

LTR	DESCRIPTION	DATE	BY/SITE
1	RELEASE TO DOCUMENT CONTROL	Nov.12.2008	JH MOON/BUCHEO



NOTES:

- A) NO DRAWING STANDARD APPLIES TO THIS PACKAGE
- B) ALL DIMENSIONS ARE IN MILLIMETERS.
- C) DIMENSIONS ARE EXCLUSIVE OF BURRS, MOLD FLASH, AND TIE BAR EXTRUSIONS.
- D) LAND PATTERN RECOMMENDATION IS FSC SOURCED.
- E) DRAWING FILE NAME AND REVISION : MKT-MSB10A,REV1



DETAIL A

SCALE: 2:1

APPROVALS	DATE	FAIRCHILD SEMICONDUCTOR®			
DRAWN J. H MOON	19Jan09	10LD,SSOP, 225 TYPE, 3.95MM BODY, .100MM PITCH			
DFTG. CHK.					
ENGR. CHK.					
		SCALE 1:1	SIZE N/A	DRAWING NUMBER MKT-MSB10A	REV 1
		FORMERLY: N/A	SHEET: 1 OF 1		