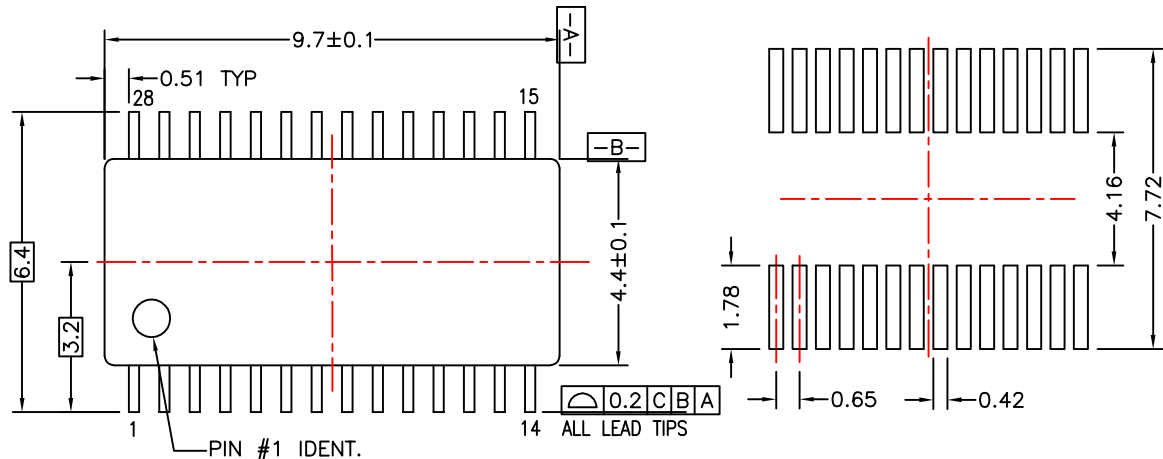
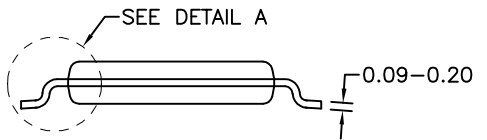
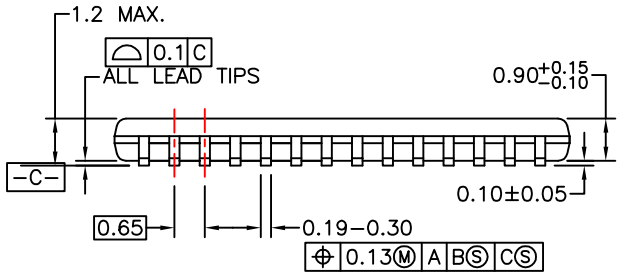


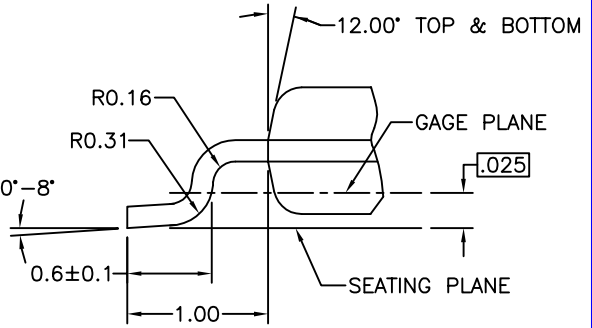
| REVISIONS | | | | |
|-----------|-----------------------------|-------|----------|----------|
| LTR | DESCRIPTION | EDCN | DATE | BY/APP'D |
| A | RELEASE TO DOCUMENT CONTROL | 59376 | 2-2-2000 | FEITAN |



LAND PATTERN RECOMMENDATION



DIMENSIONS ARE IN MILLIMETERS



DETAIL A

NOTES :

- A. CONFORMS TO JEDEC REGISTRATION MO-153, VARIATION AB, REF. NOTE 6, DATED 7/93.
- B. DIMENSIONS ARE IN MILLIMETERS.
- C. DIMENSIONS ARE EXCLUSIVE OF BURRS, MOLD FLASH, AND TIE BAR EXTRUSIONS.
- D. DIMENSIONS AND TOLERANCES PER ANSI Y14.5M, 1982.

MTC28REVA

| | | |
|--|----------------|---|
| APPROVALS | DATE | Boyan Lepas, FIZ, 11900, Penang, Malaysia. |
| DRAWN | FEITAN 19-7-99 | |
| DFTG. CHK. | | |
| ENGR. CHK. | | |
| 28LD, TSSOP, JEDEC MO-153, 4.4MM WIDE | | |
| PROJECTION | SCALE | SIZE |
| | N/A | |
| | DRAWING NUMBER | REV |
| | MKT-MTC28 | A |
| DO NOT SCALE DRAWING | | SHEET 1 of 1 |