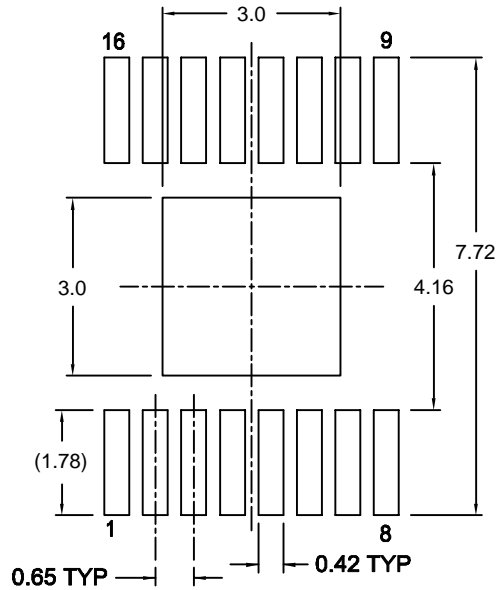
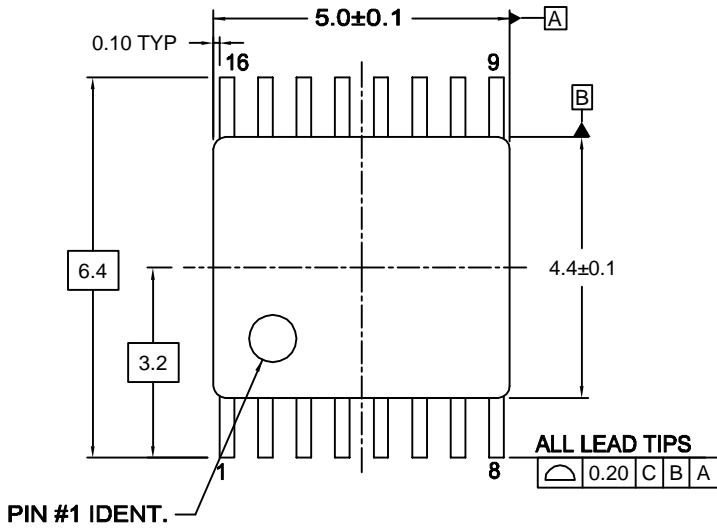
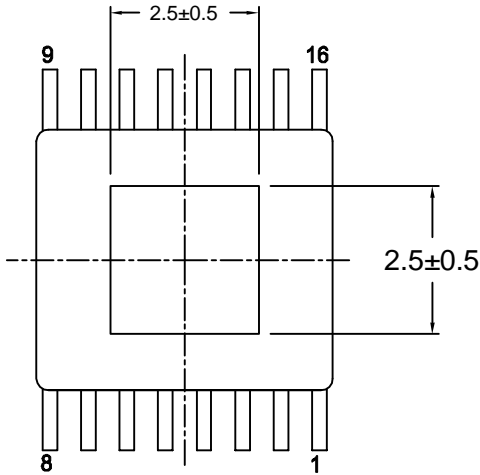
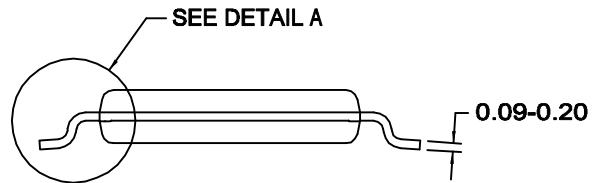
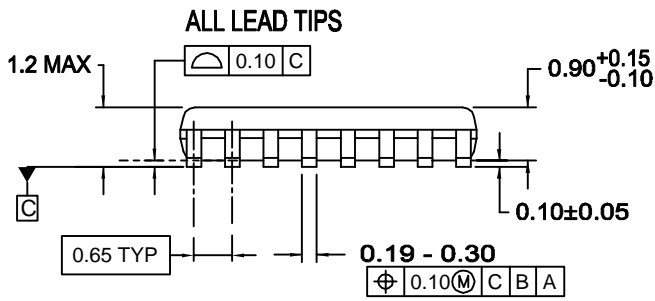


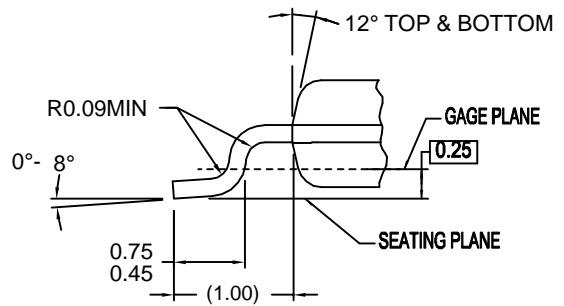
REVISIONS				
LTR	DESCRIPTION	EDCN	DATE	BY/APPD
A	RELEASE TO DOCUMENT CONTROL		2-4-2002	FEITAN
B	REVISED LAND PATTERN RECOMMENDATION AND EXPOSED PAD DIMS.		6/6/2006	H. ALLEN
3	DRAWING UPDATED TO MEET FSC-MKT-0001	MASS UPDATE	5 JULY 07	L.HUEBENER



LAND PATTERN RECOMMENDATION



BOTTOM VIEW



DETAIL A

**NOTES:**

- A. CONFORMS TO JEDEC REGISTRATION MO-153, VARIATION ABT
- B. DIMENSIONS ARE IN MILLIMETERS
- C. DIMENSIONS ARE EXCLUSIVE OF BURRS, MOLD FLASH, AND TIE BAR EXTRUSIONS
- D. DIMENSIONS ARE TOLERANCES PER ASME Y14.5M, 1994
- E. DRAWING FILE NAME: MTF16REV3

APPROVALS		DATE			
DRAWN	L.HUEBENER	5 JULY 07			
DFTG. CHK.	H.ALLEN	5 JULY 07			
ENGR. CHK.					
			<b>16LD, TSSOP, JEDEC, MO-153, 4.4MM WIDE, EXPOSED PAD</b>		
		SCALE	SIZE	DRAWING NUMBER	REV
		N/A		MKT-MTF16	3
DO NOT SCALE DRAWING				SHEET 1 of 1	