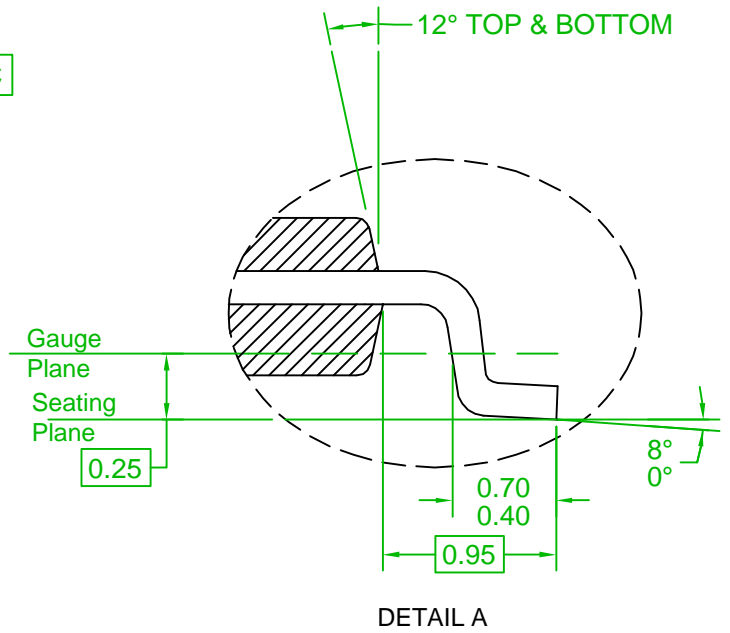
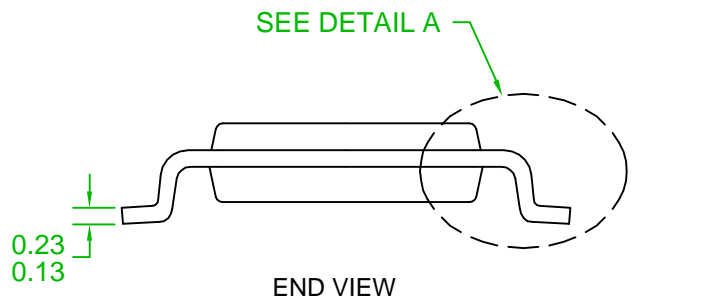
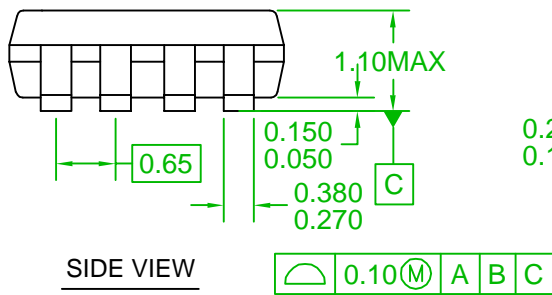
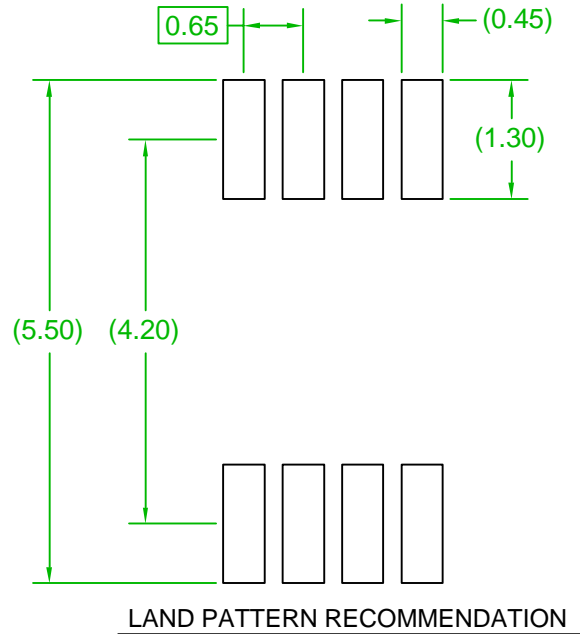
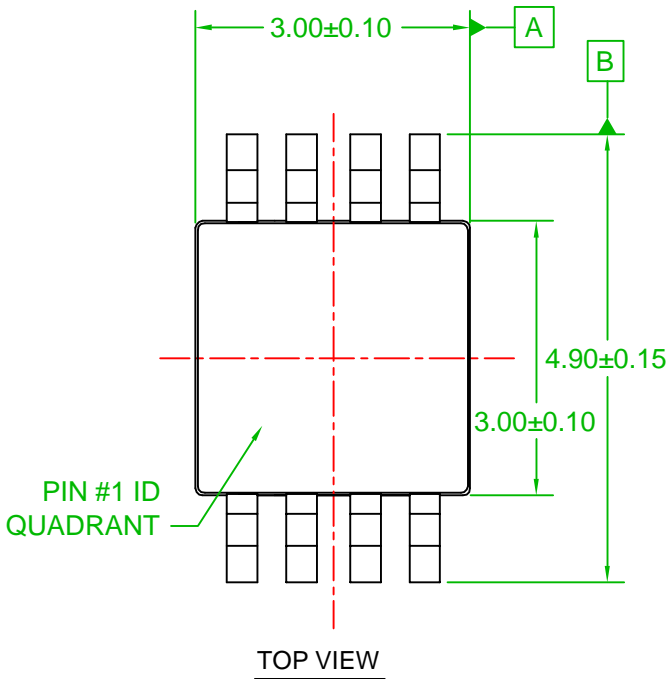


REVISIONS				
LTR	DESCRIPTION	EDCN	DATE	BY/APP'D
B	REDREW FORMER NSC DWG.	ECN-MKT-MUA08ARB	6/7/06	H.ALLEN



- NOTES:
- A. CONFORMS TO JEDEC MO-187
 - B, DIMENSIONS ARE IN MM
 - C. DIMENSIONS ARE EXCLUSIVE OF BURRS, MOLD FLASH, AND TIE BAR EXTRUSIONS
 - D. DIMENSIONS AND TOLERANCES ARE PER ASME Y14.5M, 1994
 - E LANDPATTERN AS PER IPC7351 #TSOP65P490X110-8BL
- MKT-MUA08AREVB

APPROVALS	DATE	FAIRCHILD SEMICONDUCTOR		
DRAWN: H.ALLEN	6-7-2006	333 WESTERN AVE., S. PORTLAND, MAINE 04106 U.S.A.		
DFTG. CHK: S.MARTIN	6-7-2006	8LD, MSOP, JEDEC MO-187, 3.0MM WIDE		
ENGR. CHK:		SCALE: N/A	SIZE: N/A	REV: B
		DRAWING NUMBER: MKT-MUA08A	SHEET 1 of 1	
DO NOT SCALE DRAWING				