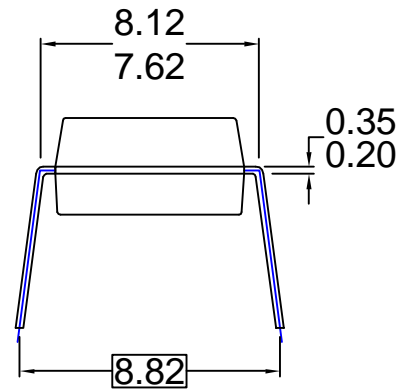
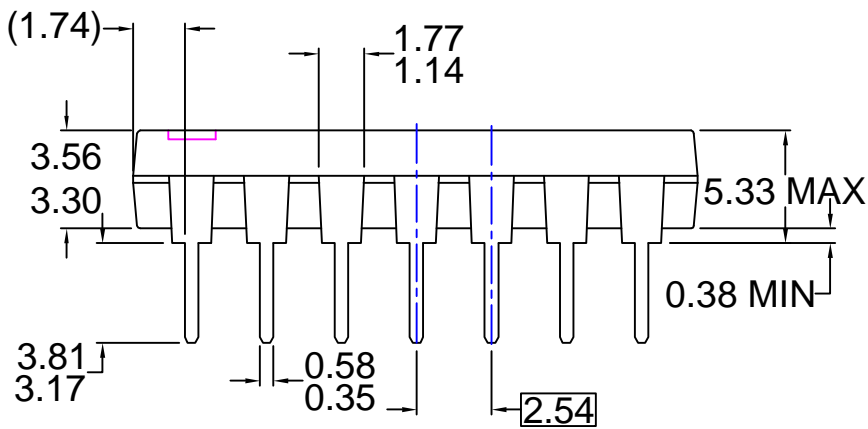
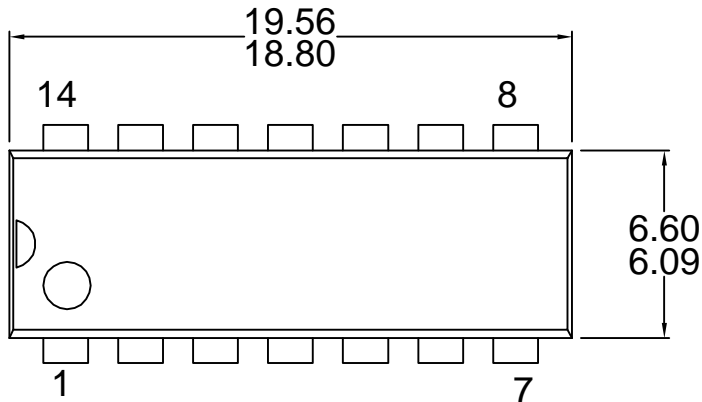


## REVISIONS

LTR	DESCRIPTION	DATE	BY/APP'D
2	BODY LENGTH, BODY THICKNESS, TERMINAL LENGTH CHANGED	19 JULY 07	L.HUEBENER



- NOTES: UNLESS OTHERWISE SPECIFIED  
 THIS PACKAGE CONFORMS TO**
- A) JEDEC MS-001 VARIATION BA
  - B) ALL DIMENSIONS ARE IN MILLIMETERS.
  - C) DIMENSIONS ARE EXCLUSIVE OF BURRS,  
 MOLD FLASH, AND TIE BAR EXTRUSIONS.
  - D) DIMENSIONS AND TOLERANCES PER  
 ASME Y14.5-1994
  - E) DRAWING FILE NAME: MKT-N14AREV7

APPROVALS	DATE	<b>FAIRCHILD</b> SEMICONDUCTOR™			
DRAWN: L.HUEBENER	19 JULY 07	14LD, MDIP, JEDEC MS-001 0.300" WIDE			
CHECKED: H.ALLEN	20 JULY 07				
APPROVED:					
 PROJECTION INCH [MM]		SCALE 1:1	SIZE NA	DRAWING NUMBER MKT-N14A	REV 7
		FORMERLY: N/A		SHEET: 1 OF 1	