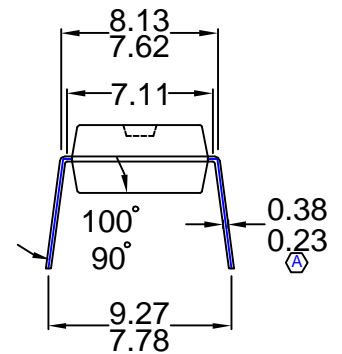
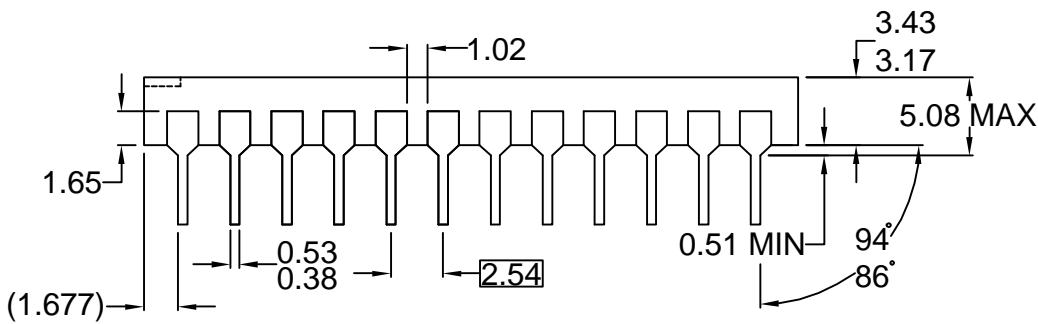
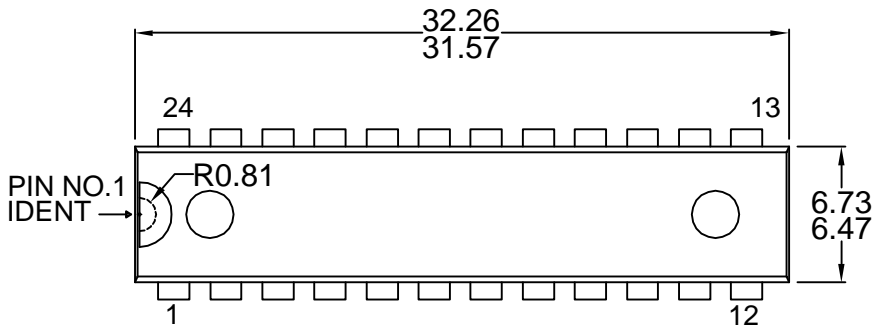


REVISIONS			
LTR	DESCRIPTION	DATE	BY/APP'D
7	RECREATED DRAWING	25 JULY 07	L.HUEBENER



NOTES: UNLESS OTHERWISE SPECIFIED

- A) THIS PACKAGE CONFORMS TO JEDEC MS-001 VARIATION AF
- B) ALL DIMENSIONS ARE IN MILLIMETERS.
- C) DIMENSIONS ARE EXCLUSIVE OF BURRS, MOLD FLASH, AND TIE BAR EXTRUSIONS.
- D) DIMENSIONS AND TOLERANCES PER ASME Y14.5-1994
- E) DRAWING FILE NAME: MKT-N24CREV7

APPROVALS	DATE	FAIRCHILD SEMICONDUCTOR™			
DRAWN: L.HUEBENER	25 JULY 07	24LD, MDIP, JEDEC MS-001, VARIATION AF, .300" WIDE			
CHECKED: H.ALLEN	25 AUG 07				
APPROVED: H.ALLEN	25 AUG 07				
		SCALE 1:1	SIZE NA	DRAWING NUMBER MKT-N24C	REV 7
		FORMERLY: N/A		SHEET: 1 OF 1	