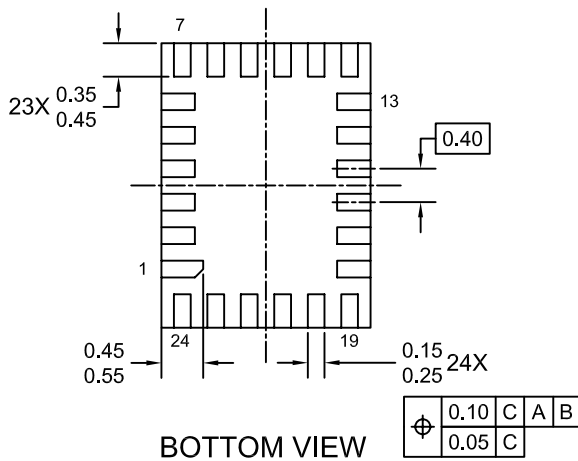
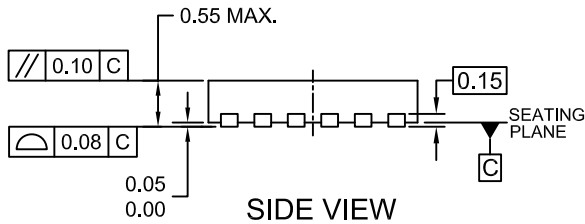
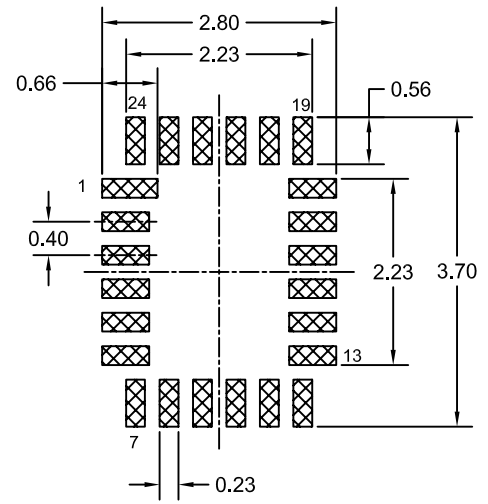
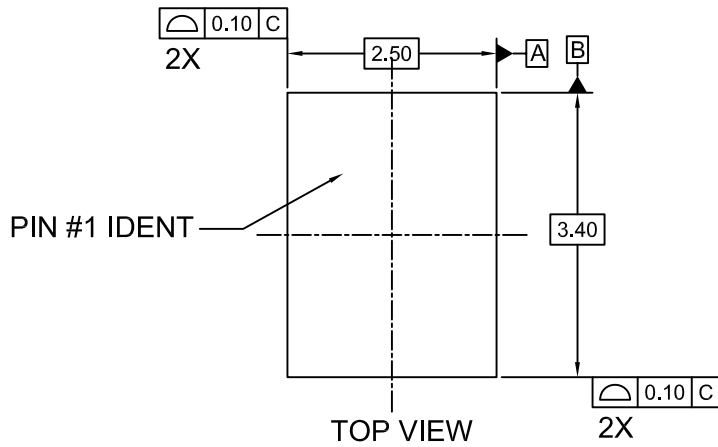


REVISIONS			
NBR	DESCRIPTION	DATE	NAME/SITE
1	RELEASE TO DOCUMENT CONTROL	160608	LY/FSPM



NOTES:

- A. NO JEDEC STANDARD APPLIES
- B. DIMENSIONS ARE IN MILLIMETERS.
- C. DIMENSIONS AND TOLERANCES PER ASME Y14.5M, 1994
- D. DRAWING FILENAME: MKT-UMLP24Arev1.

APPROVALS	DATE	FAIRCHILD SEMICONDUCTOR			
DRAWN LY LIM	16-JUN-08	24LD, UMLP, QUAD, NON-JEDEC, 2.5X3.4 MM BODY,			
DFTG. CHK DAVID	16-JUN-08				
ENGR. CHK DAVID	16-JUN-08				
		SCALE N/A	SIZE N/A	DRAWING NUMBER MKT-UMLP24A	REV 1
		DO NOT SCALE DRAWING SHEET 1 of 1			