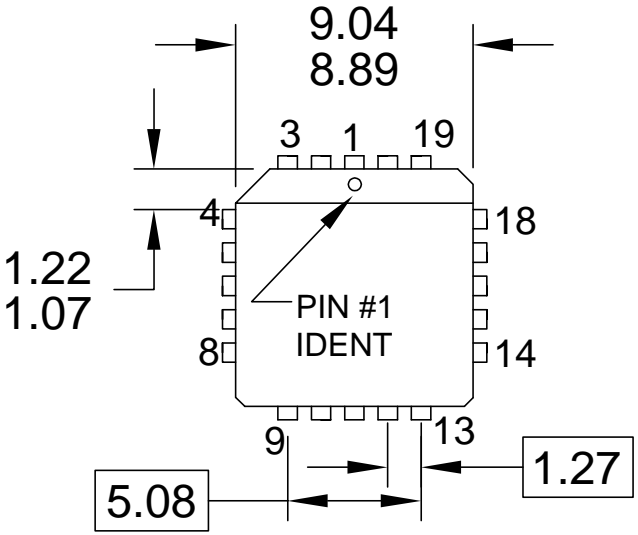
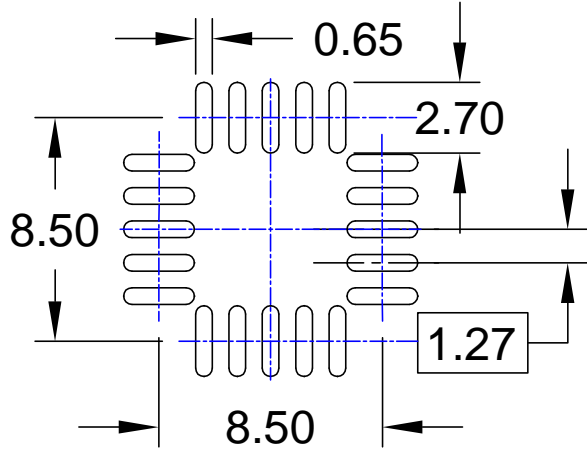


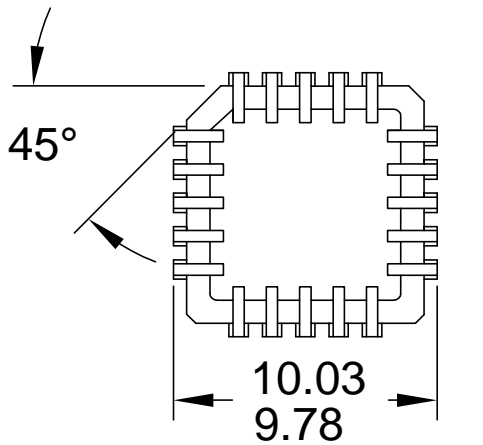
REVISIONS			
LTR	DESCRIPTION	DATE	BY/APP'D
13	RECREATED DRAWING, ADDED LANDPATTERN RECOMMENDATION.	17 JULY 07	L.HUEBENER
14	SPEC CHANGED TO MS-018, LANDPATTERN EDGES ROUNDED ADDED INDENT ON BOTTOM OF PACKAGE	16 JAN 08	L.HUEBENER



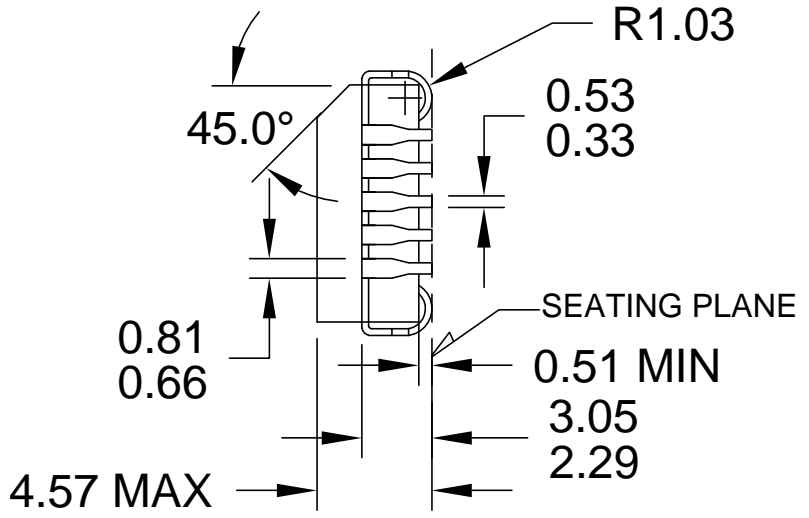
TOP VIEW



LAND PATTERN RECOMMENDATION



BOTTOM VIEW



SIDE VIEW

- NOTES:
- A. THIS PACKAGE CONFORMS TO JEDEC MS018, VARIATION AA.
 - B. ALL DIMENSIONS ARE IN MILLIMETERS.
 - C. DIMENSIONS ARE EXCLUSIVE OF BURRS, MOLD FLASH, AND TIE BAR PROTRUSIONS.
 - D. DIMENSIONS AND TOLERANCING AS PER ASME Y14.5M-1994
 - E. LAND PATTERN STANDARD:
PLCC127P990X990X457-20M
 - F. DRAWING FILE NAME: V20AREV14

APPROVALS		DATE	
DRAWN: L.HUEBENER		16 JAN 08	
CHECKED: H.ALLEN		16 JAN 08	
APPROVED:			
			20LD, PLCC, JEDEC MS-018 VARIATION AA 0.350" SQUARE
		SCALE 1:1	SIZE NA
		DRAWING NUMBER MKT-V20A	REV 14
		FORMERLY: N/A	SHEET: 1 OF 1