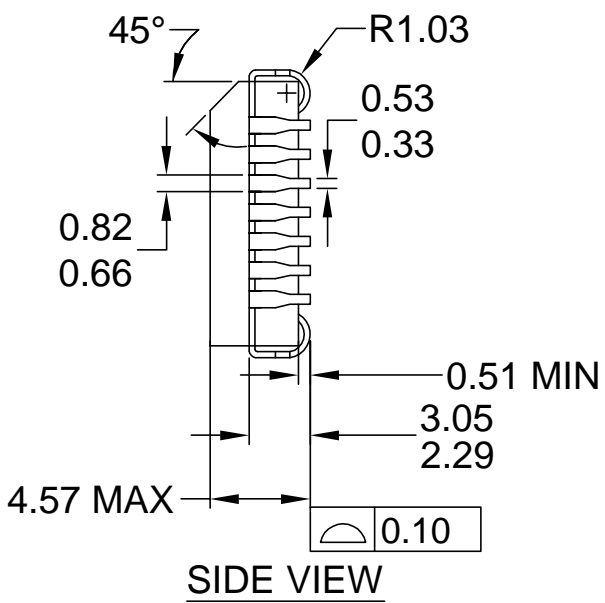
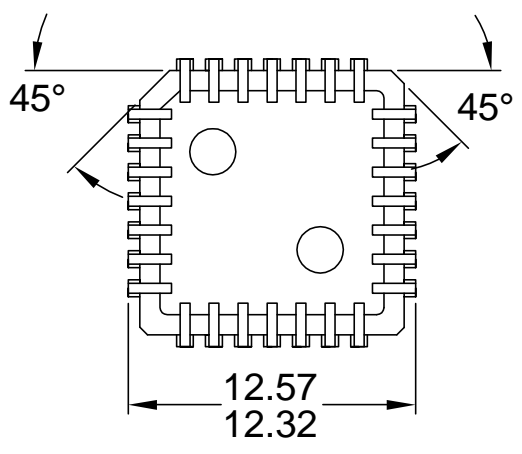
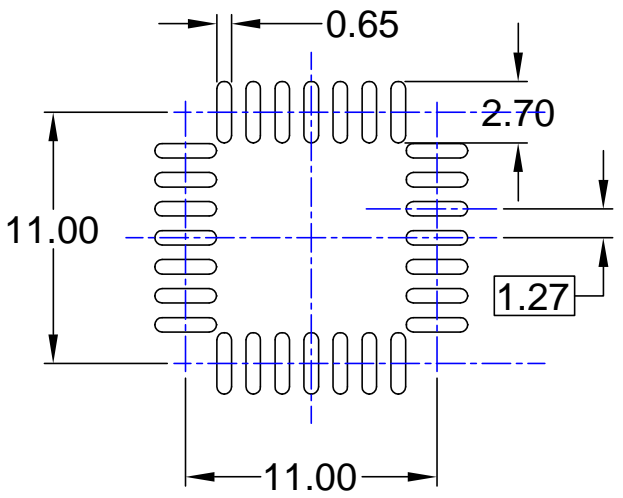
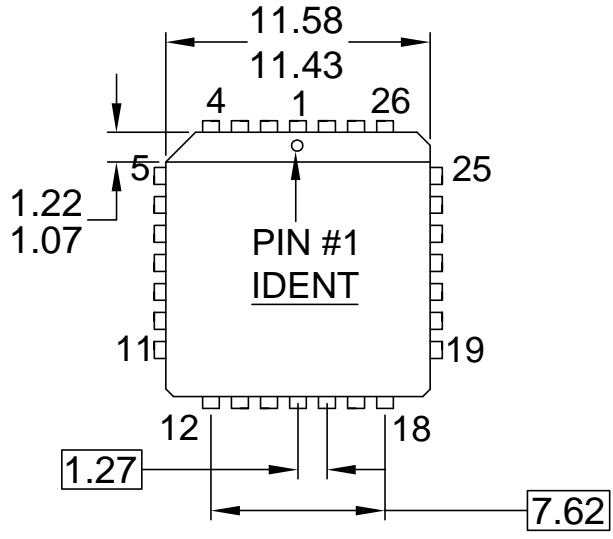


REVISIONS			
LTR	DESCRIPTION	DATE	BY/APP'D
2	RECREATED DRAWING	3 AUG 07	L.HUEBENER
3	CHANGED STANDARD TO MS-018, ROUNDED LEAD PATTERN EDGES, ADDED INDENT ON BOTTOM OF PACKAGE	16 JAN 08	L.HUEBENER



- NOTES:
- A. THIS PACKAGE CONFORMS TO JEDEC MS-018, VARIATION AB.
  - B. ALL DIMENSIONS ARE IN MILLIMETERS.
  - C. DIMENSIONS ARE EXCLUSIVE OF BURRS, MOLD FLASH, AND TIE BAR PROTRUSIONS.
  - D. DIMENSIONS AND TOLERANCING AS PER ASME Y14.5M-1994
  - E. LAND PATTERN STANDARD:  
PLCC127P1244X1244X457-28M
  - F. DRAWING FILE NAME: V28AREV3

APPROVALS		DATE			
DRAWN:	L.HUEBENER	16 JAN 08			
CHECKED:	H.ALLEN	16 JAN 08			
APPROVED:					
			28LD, PLCC, JEDEC MS-018 VARIATION AB 0.450 " SQUARE		
		SCALE	SIZE	DRAWING NUMBER	REV
		1:1	NA	MKT-V28A	3
FORMERLY: N/A			SHEET: 1 OF 1		