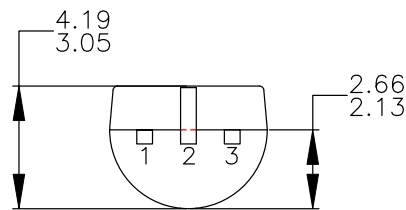
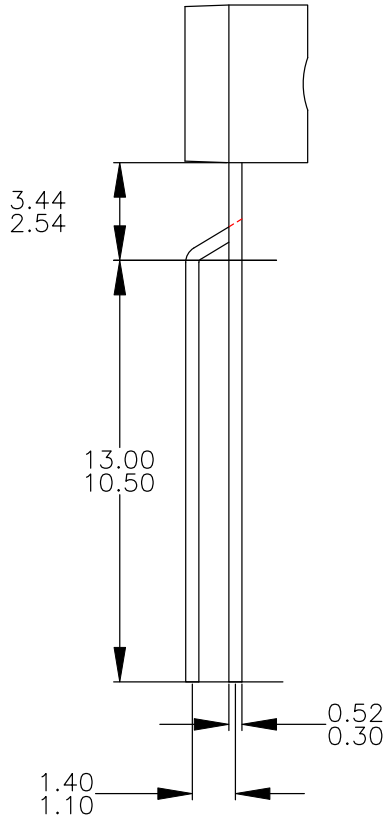
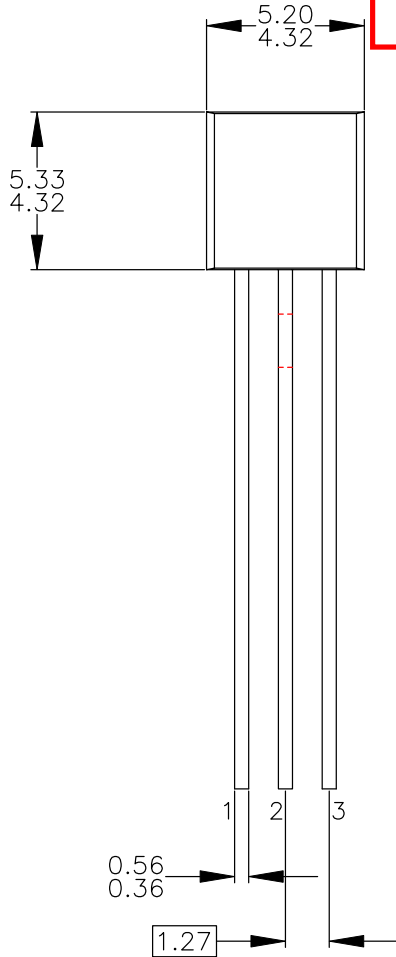


THIS DRAWING IS THE PROPERTY OF FAIRCHILD SEMICONDUCTOR CORPORATION. NO USE THEREOF SHALL BE MADE OTHER THAN AS A REFERENCE FOR PROPOSALS AS SUBMITTED TO FAIRCHILD SEMICONDUCTOR CORPORATION FOR JOBS TO BE EXECUTED IN CONFORMANCE WITH SUCH PROPOSALS UNLESS THE CONSENT OF SAID FAIRCHILD SEMICONDUCTOR CORPORATION HAS PREVIOUSLY BEEN OBTAINED. NO PART OF THIS DRAWING SHALL BE COPIED OR DUPLICATED OR ITS CONTENTS DISCLOSED. THE INFORMATION CONTAINED ON THIS DRAWING IS CONFIDENTIAL AND PROPRIETARY.

REVISIONS

NO.	DESCRIPTION	DATE	NAME/SITE
A	ORIGINATION	04MAR96	-
2	RDRW FR NATIONAL TEMPLATE TO STD FSC MKT DNG TEMPLATE; CHG DIM REF FR DUAL DIM INCH(MM) TO SINGLE DIM MM; CHG MOLD BODY WD FR 1.80 TO 1.30; CHG MOLD BODY HT FR 1.30 TO 1.30; REMOVE EJECTOR PIN & DAMBAR FEATURES & DIMS; ADD TOTAL BENDED LD LENGTH; MID LD STRAIGHT LENGTH FR 13.00 TO 10.50; REMOVE NOTE ON CLIP REQUIREMENT; CHG LD PITCH FR 1.4 TO 1.27 ESC; CHG LD WD FR 0.30 TO 0.30; REMOVE TOTAL LD LENGTH; REMOVE DRAFT ANGLE DIMS; REMOVE MOLD FLAT SURF DIMS; REMOVE LD SURF TO MOLD FLAT SURF DIM; CHG LD SURF TO PKG BOT DIM FR 2.13 TO 2.66; ADD PKG THICKNESS DIM, 1.10; CHG LD THICKNESS FR 0.30 TO 0.30; ADD NOTES A, B, C, D & E; REMOVE NOTE ON L34Z.	03APR08	JC/FSCP

APPROVED
 July-14-2008



NOTES: UNLESS OTHERWISE SPECIFIED

- A) DRAWING WITH REFERENCE TO JEDEC TO-92 RECOMMENDATIONS.
- B) ALL DIMENSIONS ARE IN MILLIMETERS.
- C) DRAWING CONFORMS TO ASME Y14.5M-1994.
- D) TO-92 (92,94,96,97,98) PIN CONFIGURATION:

PIN	92			94			96			97			98		
	P	F	M	P	F	M	B	F	M	P	F	M	P	F	M
1	E	S	S	E	S	S	B	D	G	C	G	D	C	G	D
2	B	D	G	C	G	D	E	S	S	B	D	G	E	S	S
3	C	G	D	B	D	G	C	G	D	E	S	S	B	D	G

LEGEND:

- P - BIPOLAR
- F - JFET
- M - DMOS
- E - EMITTER
- B - BASE
- C - COLLECTOR
- D - DRAIN
- S - SOURCE
- G - GATE

E) DRAWING FILENAME: MKT-ZA03BREV2.

APPROVALS	DATE	 FAIRCHILD SEMICONDUCTOR™
DRAWN: J.U. COMPARATIVO JR.	03APR2008	
CHECKED: L. GALERA		
APPROVED: M.R. GESTOLE		
G.S. BAJE		3LD,TO-92,MOLDED TO-18 STD LD FORM (J18Z OPTION)
		SCALE: 1:1 SIZE: N/A DRAWING NUMBER: MKT-ZA03B FORMERLY: N/A
		REV: 2 SHEET: 1 OF 1