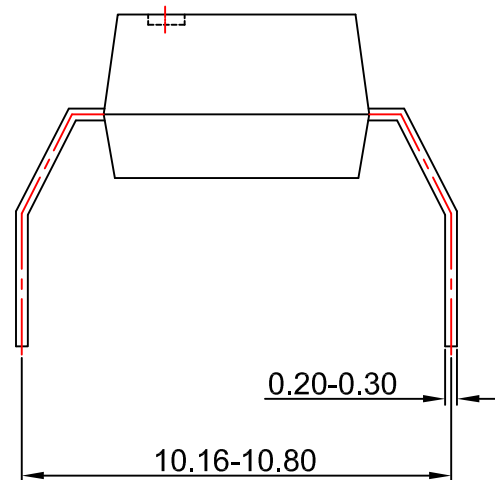
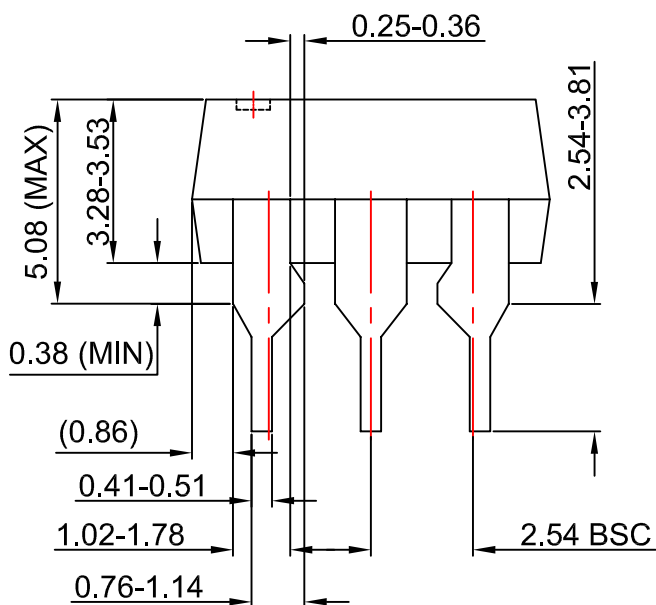
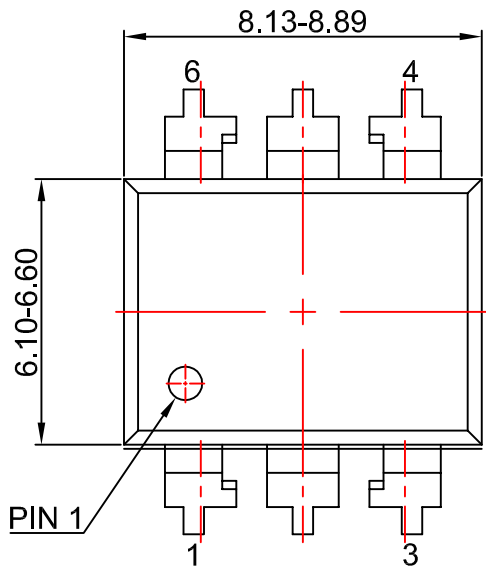


REVISIONS			
Ltr	Description	Date	DRAWN/SITE
1	CONVERT ESP-4004-02 TO FSC STANDARD DWG.	13-08-08	WEE LING



NOTES:

- A) NO STANDARD APPLIES TO THIS PACKAGE.
- B) ALL DIMENSIONS ARE IN MILLIMETERS.
- C) DIMENSIONS ARE EXCLUSIVE OF BURRS, MOLD FLASH, AND TIE BAR EXTRUSION
- D) DRAWING FILENAME AND REVISION: MKT-N06D.

APPROVALS		DATE	
DRAWN	WEE LING	13 Aug 08	
DFTG. CHK.	JING ALABIN	13 Aug 08	
ENGR. CHK.	JING ALABIN	13 Aug 08	
			6LD,MDIP,OPTO, WHITE 0.4" LEAD SPACING
SCALE	SIZE	DRAWING NUMBER	REV
N/A		MKT-N06D	1
DO NOT SCALE DRAWING			SHEET 1 of 1