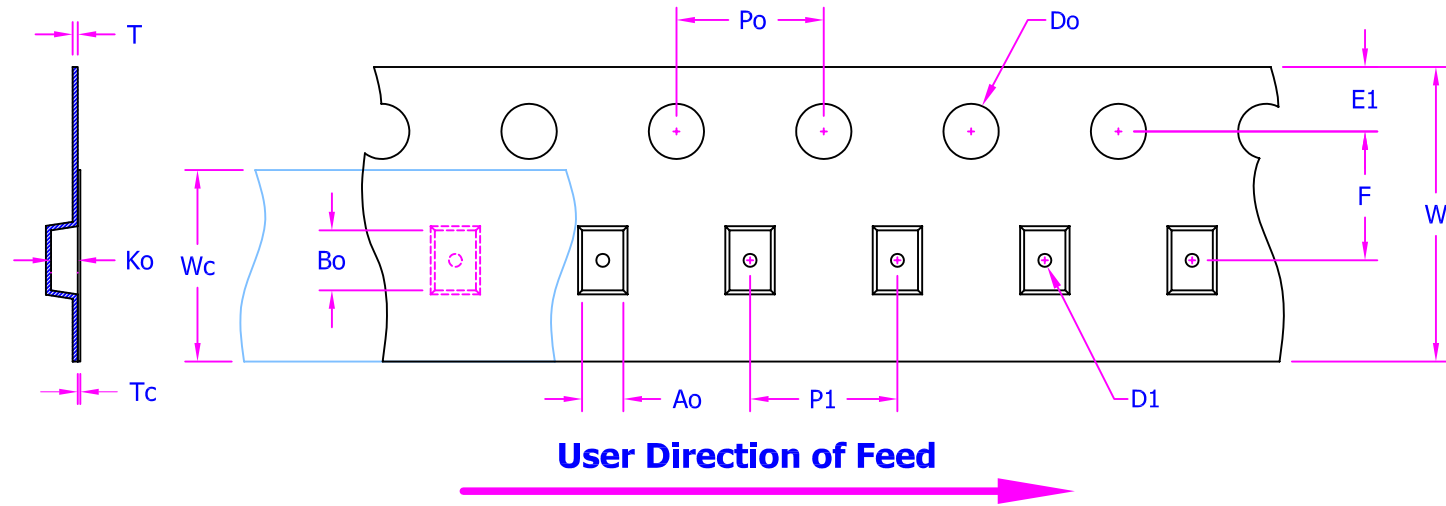


REVISIONS			
REV	DESCRIPTION	ECN	DATE
A	RELEASE TO DOCUMENT CONTROL	CB/612/09	09OCT09
1	CHANGE REVISION FROM ALPHABETIC TO NUMERIC TO ALIGN WITH IDMS ROUTING	CB/650/11	21JUL'11

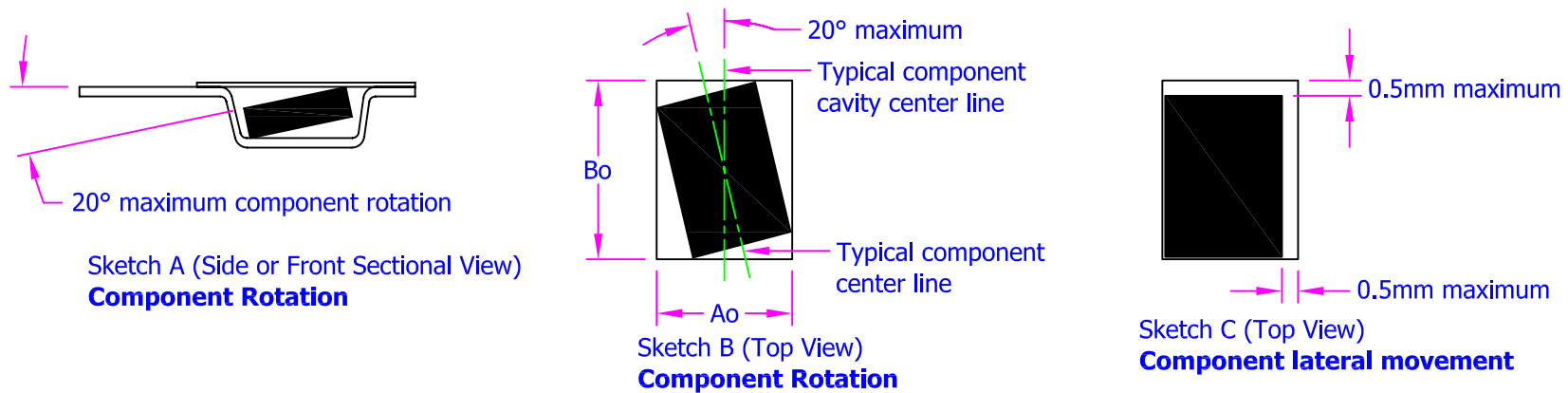
WLCSP Embossed Carrier Tape Configuration: Figure 3.0



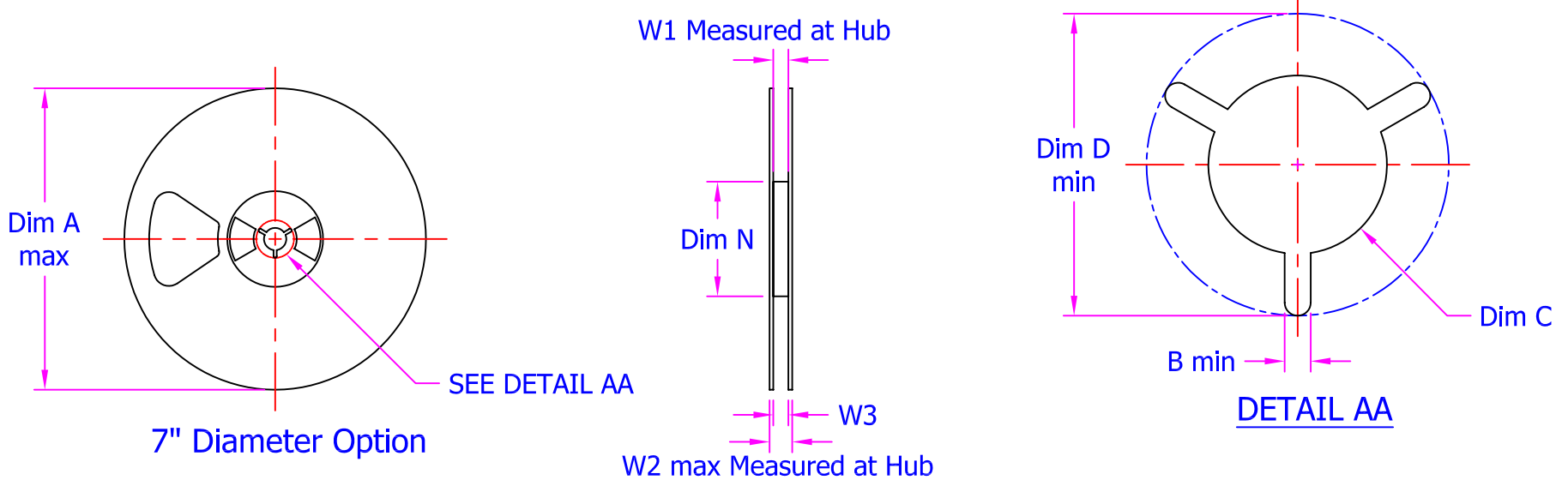
Dimensions are in millimeters(mm)

Pkg type	Ao	Bo	W	Do	D1	E1	F	P1	Po	Ko	T	Wc	Tc
1.0x1.5x0.6 (8mm)	1.12 ±0.05	1.63 ±0.05	8.0 +0.30 -0.10	1.50 +0.10 -0.00	0.60 ±0.05	1.75 ±0.10	3.50 ±0.05	4.0 ±0.10	4.0 ±0.10	0.65 ±0.05	0.254 ±0.02	5.2 ±0.10	0.05 ±0.02
1.0x1.5x0.4 (8mm)	1.12 ±0.05	1.63 ±0.05	8.0 +0.30 -0.10	1.50 +0.10 -0.00	0.60 ±0.05	1.75 ±0.10	3.50 ±0.05	4.0 ±0.10	4.0 ±0.10	0.48 ±0.05	0.254 ±0.02	5.2 ±0.10	0.05 ±0.02
1.0x1.0x0.4 (8mm)	1.12 ±0.05	1.12 ±0.05	8.10 ±0.10	1.50 +0.10 -0.00	0.50 ±0.05	1.75 ±0.10	3.50 ±0.05	4.0 ±0.10	4.0 ±0.10	0.48 ±0.05	0.250 ±0.03	5.2 ±0.10	0.05 ±0.02
1.5x1.5x0.6 (8mm)	1.66 ±0.05	1.66 ±0.05	8.0 ±0.10	1.50 +0.10 -0.00	0.50 ±0.10	1.75 ±0.10	3.50 ±0.05	4.0 ±0.10	4.0 ±0.10	0.80 ±0.05	0.25 ±0.02	5.2 ±0.10	0.05 ±0.02

Notes: Ao, Bo, and Ko dimensions are determined with respect to the EIA-481 rotational and lateral movement requirements (see sketches A, B, and C).



WLCSP Reel Configuration: Figure 4.0



Dimensions are in inches and millimeters

Tape Size	Reel Option	Dim A	Dim B	Dim C	Dim D	Dim N	Dim W1	Dim W2	Dim W3 (LSL-USL)
8mm	7" Dia	177.8	1.5	13+0.5/-0.2	20.2	55	8.4+1.5/-0	14.4	7.9 - 10.9

- NOTE:
- Plastic reel W1 dimension control limit of;
 - 8mm reel = ±1.0mm
 - 12mm reel and above = ±1.5mm

APPROVALS		DATE		
DRAWN:	G. I. GEQUILLO	03AUG'09		
CHECKED:	E. S. COMPRA			
APPROVED:	M. R. GESTOLE			
J. A. ORTEGA			WLCSP EMBOSSSED CARRIER TAPE	
		SCALE		
		1:1		(CB)50-0016
		FORMERLY: N/A	SHEET: 2 OF 2	