

Date Created : 2007/08/03  
Date Issued On : 2007/09/05  
PCN# : Q3073113

### FORECAST CHANGE NOTIFICATION

This is to inform you that a design and/or process change will be made to the following product(s). This notification is for your information and concurrence. This is a preliminary notification. A Final PCN will be issued when qualification is complete and data is available.

If you require data or samples to qualify this change, please contact **Fairchild Semiconductor within 30 days of receipt of this notification.**

If you have any questions concerning this change, please contact:

Technical Contact:

Name: Lee, Woonbong  
E-mail: Woonbong.Lee@notes.fairchildsemi.com  
Phone: 82316801758

PCN Originator:

Name: Lee, Woonbong  
E-mail: Woonbong.Lee@notes.fairchildsemi.com  
Phone: 82316801758

Implementation of change:

Expected 1st Device Shipment Date: 2007/11/29

Earliest Year/Work Week of Changed Product: 0747

Change Type Description: Alternate Assembly/Test Location/Qualification

Description of Change (From): TO126 currently assembled/tested at Aimhigh Global\_ Weihai and Shantou Huashan Electronic, both in China.

Description of Change (To): Aimhigh Global\_ Weihai will be removed from AVL and replaced by AUK\_Dalian in China as an alternative site for TO126 assembly/test with no changes to BOM and package dimensions. Shantou Huashan Electronic in China will remain as an assembly/test site for the TO126. Both listed suppliers are ISO9001, ISO4001 and TS-16949 certified.

Reason for Change : Aimhigh global\_ Weihai will be removed because of Aimhigh global discontinuance of Business

Qual/REL Plan Numbers : Q20070298

Qualification :

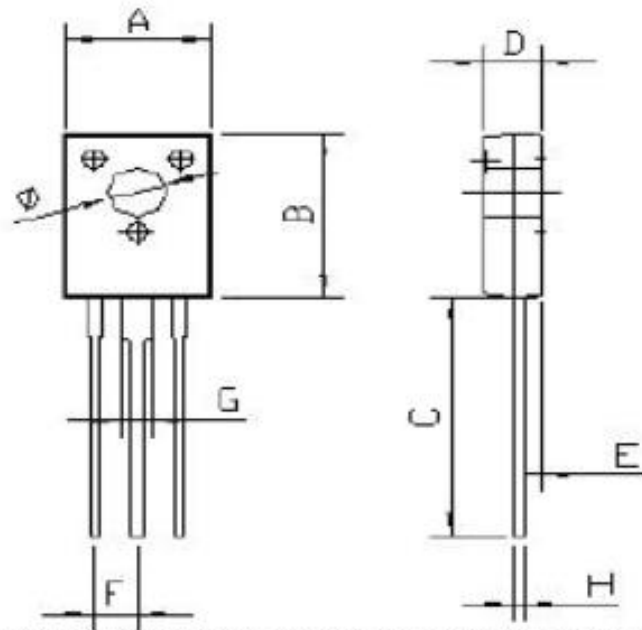
The qualification plan is intended to meet our criteria for qualifying an alternative assembly and test site and the overall quality and reliability of our products.

Change To

1. Bill of material

Material	Current	Future
Lead frame	Copper	Copper
Die attach adhesive	Eutectic Ag epoxy Solder	Eutectic Ag epoxy Solder
Bond Wire	Au or Al	Au or Al
Epoxy mold compound	ST7100KS	ST7100KS
Plating	Tin	Tin

2. Package Dimension comparisons



Note > There are no changes to the package dimensions. (Package outline drw. No.BD0652)

	Dimension	
	MIN	MAX
A	7.70	8.30
B	10.90	11.20
C	15.90	16.30
D	3.05	3.45
E	1.50	1.95
F	2.28 TYPE	
G	1.50	1.70
H	0.45	0.60
Ø	3.10	3.30

Qualification Stress Test and Sample Size Detail

Device #1	FQE10N20CTU
Package:	TO126
#Leads:	003

Environment Stress Detail:

				Readpoints			Samples
Stress	P/C	Standard	Conditions	TP1	TP2	TP3	A
ACLV		JESD22-A102	100%RH, 121C	96			77
HTGB		JESD22-A108	150C, 30V	168	500	1000	77
HTRB		JESD22-A108	150C, 160V	168	500	1000	77
THBT		JESD22-A101	85%RH, 85C, 100V	168	500	1000	77
TMCL1		JESD22-A104	-65C, 150C	200	500		77

Device #2	KSB772YSTU
Package:	TO126
#Leads:	003

Environment Stress Detail:

				Readpoints			Samples
Stress	P/C	Standard	Conditions	TP1	TP2	TP3	A
ACLV		JESD22-A102	100%RH, 121C	96			77
HTRB		JESD22-A108	150C, -32V	168	500	1000	77
THBT		JESD22-A101	85%RH, 85C, -32V	168	500	1000	77
TMCL1		JESD22-A104	-65C, 150C	200	500		77

Device #3	KSE13003H1ASTU
Package:	TO126
#Leads:	003

Environment Stress Detail:

				Readpoints			Samples
Stress	P/C	Standard	Conditions	TP1	TP2	TP3	A
ACLV		JESD22-A102	100%RH, 121C	96			77
HTRB		JESD22-A108	150C, 560V	168	500	1000	77
THBT		JESD22-A101	85%RH, 85C, 100V	168	500	1000	77
TMCL1		JESD22-A104	-65C, 150C	200	500		77

Product Id Description : All devices packaged with TO126. The products affected by this change are listed below in the "Affected FSIDs" section.

Affected FSIDs :

BD13510S	BD13510STU	BD13510STU_NL
BD13516S	BD13516STU	BD13516STU_NL
BD1356S	BD1356STU	BD13610S
BD13610STU	BD13616S	BD13616STU
BD13616STU_NL	BD13616S_NL	BD1366S
BD1366STU	BD13710S	BD13710STU
BD13710STU_NL	BD13716S	BD13716STU
BD13716STU_NL	BD1376S	BD1376STU
BD13810S	BD13810STU	BD13810STU_NL
BD13816S	BD13816STU	BD13816STU_NL
BD13816S_NL	BD1386S	BD1386STU
BD13910S	BD13910STU	BD13910STU_NL
BD13910S_NL	BD13916S	BD13916STU
BD13916STU_NL	BD13916S_NL	BD1396S

BD1396STU	BD14010S	BD14010STU
BD14010STU_NL	BD14010S_NL	BD14016S
BD14016STU	BD14016STU_NL	BD14016S_NL
BD1406S	BD1406STU	BD157STU
BD158STU	BD159STU	BD17510STU
BD17516STU	BD1756STU	BD17610STU
BD1766STU	BD17810STU	BD17910STU
BD18010STU	BD233STU	BD234STU
BD235STU	BD236STU	BD237STU
BD237STU_NL	BD238S	BD238STU
BD238STU_NL	BD37510STU	BD37516STU
BD37525STU	BD3756STU	BD37610STU
BD37710STU	BD37716STU	BD37725STU
BD3776STU	BD37810STU	BD37910STU
BD37916STU	BD37925STU	BD3796STU
BD38010STU	BD433S	BD434S
BD434STU	BD434STU_NL	BD434S_NL
BD435S	BD435STU	BD435STU_NL
BD435S_NL	BD436S	BD436STU
BD436STU_NL	BD436S_NL	BD437S
BD437S_NL	BD438S	BD438STU
BD438STU_NL	BD439S	BD439S_NL
BD440S	BD441STU	BD441STU_NL
BD442S	BD442STU	BD442STU_NL
BD442S_NL	BD675AS	BD675AS_NL
BD676AS	BD676AS_NL	BD677AS
BD677ASTU	BD677ASTU_NL	BD677AS_NL
BD678AS	BD678AS_NL	BD679AS
BD679ASTU	BD679ASTU_NL	BD679AS_NL
BD680AS	BD680ASTU	BD680ASTU_NL
BD680AS_NL	BD681S	BD681STU
BD681STU_NL	BD681S_NL	BD682S
BD682STU	BD682STU_NL	BD682S_NL
FJE3303H1TU	FJE3303H2	FJE3303H2TU
FJE3303TU	FJE5304D	FJE5304DTU
FQE10N20CTU	KSA1142OSTU	KSA1142YSTU
KSA1156OS	KSA1156OSTSTU	KSA1156OSTSTU_NL
KSA1156OSTU	KSA1156YS	KSA1156YSTSTU
KSA1156YSTSTU_NL	KSA1156YS_NL	KSA1220AOS
KSA1220AOS_NL	KSA1220AYS	KSA1220AYSTSTU
KSA1220YSTU	KSA1381ES	KSA1381ESTSSTU
KSA1381ESTSTU	KSA1381ESTU	KSA1381ESTU_NL
KSB1149OS	KSB1149OSTU	KSB1149YS
KSB1149YSTU	KSB1151YS	KSB1151YSTSSTU
KSB1151YSTSSTU_NL	KSB1151YSTSTU	KSB1151YSTSTU_NL
KSB1151YSTU	KSB1151YSTU_NL	KSB744AYSTU
KSB744OSTU	KSB744YSTU	KSB772OS
KSB772YS	KSB772YSTSSTU	KSB772YSTSTU
KSB772YSTU	KSB772YSTU_NL	KSB772YS_NL
KSB794OSTU	KSB795OSTU	KSC2258AS

KSC2258ASTU	KSC2258STU	KSC2682OS
KSC2682OSTU	KSC2682YS	KSC2682YSTU
KSC2682YS_NL	KSC2688OS	KSC2688OSTU
KSC2688OS_NL	KSC2688YS	KSC2688YSTSSTU
KSC2688YSTU	KSC2688YSTU_NL	KSC2688YS_NL
KSC2690AOS	KSC2690AOSTSTU	KSC2690AYS
KSC2690AYSTSTU	KSC2690AYSTU	KSC2690AYS_NL
KSC2690YSTU	KSC2752OS	KSC2752OSTU
KSC3502ES	KSC3502ESTU	KSC3502ESTU_NL
KSC3502ES_NL	KSC3503CS	KSC3503DS
KSC3503DSTSSTU	KSC3503DSTSTU	KSC3503DSTU
KSC3503DSTU_NL	KSC3503DS_NL	KSC3503ESTU
KSC5026MOS	KSC5042MSTU	KSD1691GS
KSD1691GS_NL	KSD1691OS	KSD1691YS
KSD1691YSTSTU	KSD1691YSTU	KSD1692YS
KSD794AYS	KSD794AYSTU	KSD794AYSTU_NL
KSD794AYS_NL	KSD794YSTU	KSD794YSTU_NL
KSD882OS	KSD882RS	KSD882YS
KSD882YSTSSTU	KSD882YSTSTU	KSD882YSTU
KSD882YS_NL	KSD985OSTU	KSD986OS
KSD986YS	KSD986YSTSSTU	KSD986YSTSSTU_NL
KSD986YS_NL	KSE13003H1ASTU	KSE13003H2ASTU
KSE170S	KSE170STU	KSE171STU
KSE172STU	KSE180S	KSE181STU
KSE182STU	KSE200STSTU	KSE210STU
KSE340S	KSE340STSTU	KSE340STU
KSE340STU_NL	KSE340S_NL	KSE350S
KSE350STU	KSE350STU_NL	KSE350S_NL
KSE5020S	KSE700S	KSE700STU
KSE701STU	KSE702S	KSE702STU
KSE703S	KSE703STU	KSE800S
KSE800STSSTU	KSE800STU	KSE801STU
KSE802STU	KSE803S	KSE803STU
MJE170STU	MJE170STU_NL	MJE171STU
MJE171STU_NL	MJE172STU	MJE172STU_NL
MJE180STU	MJE181STU	MJE182STU
MJE182STU_NL	MJE200STU	MJE200STU_NL
MJE200TSTU	MJE210STU	MJE340STU
MJE350STU	MJE350STU_NL	MJE700STU
MJE701STU	MJE702STU	MJE703STU
MJE800STU	MJE801STU	MJE802STU
MJE803STU		