

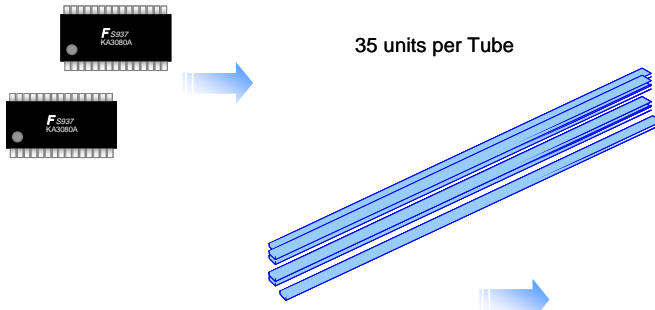
30-SSOP-375 Tube Packing Data

30-SSOP-375 Tube Packing Configuration: Figure 1.0



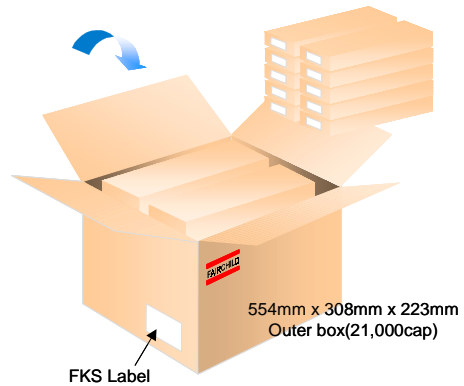
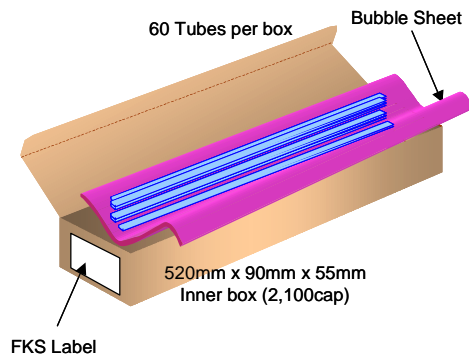
Packaging Description:

30-SSOP-375 parts are shipped in tube. The tube is made of PVC plastic treated with anti-static agent. These tubes in standard option are placed inside a dissipative plastic bubble sheet, barcode labeled, and placed inside a box made of recyclable corrugated paper. One box contains sixty tubes maximum (see fig. 1.0). And one or several of these boxes are placed inside a labeled shipping box which comes in different sizes depending on the number of parts shipped. These larger boxes then will be placed finally inside a labeled shipping box which still comes in different sizes depending on the number of units shipped.



30-SSOP-375 Packaging Configuration: Figure 2.0

30-SSOP-375 Packaging Information	
Packaging Option	Standard (no flow code)
Packaging type	Rail/Tube
Qty per Reel/Tube/Bag	35
Reel Size	-
Inner Box Dimension (mm)	520x90x55
Max qty per Box	2,100
Outer Box Dimension (mm)	554x308x223
Max qty per Box	21,000
Weight per unit (gm)	0.5156
Weight per Reel (kg)	-
Note/Comments	



Inner Box Barcode Label Sample



Outer Box Barcode Label Sample



30-SSOP-375 Tube Configuration: Figure 3.0

Note: All dimensions are in mm

