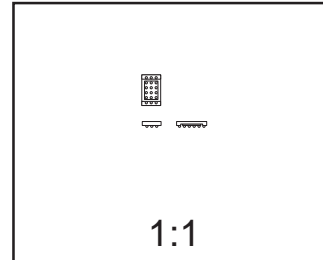
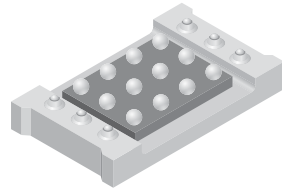


2.5 x 4 mm MOSFET BGA Package Dimensions



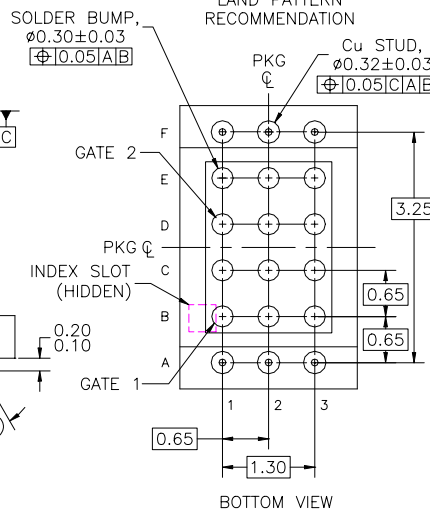
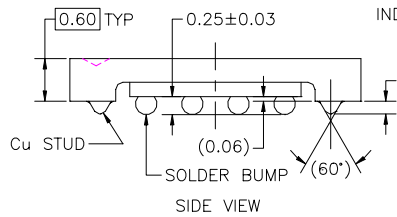
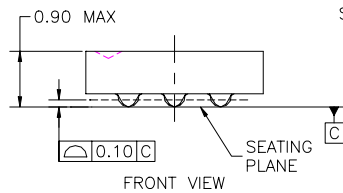
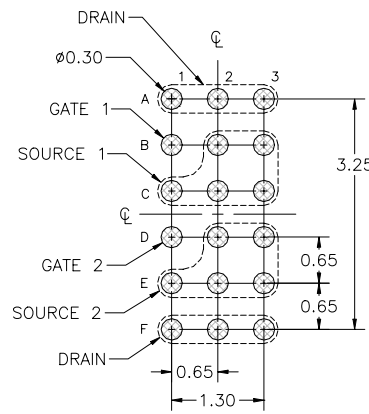
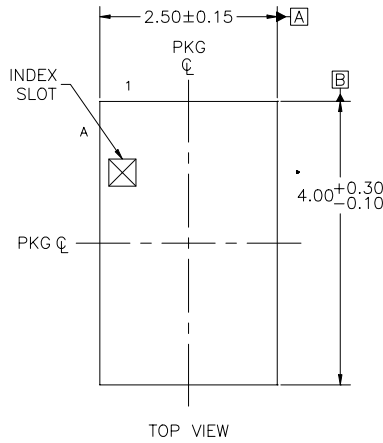
2.5 x 4 mm



Scale 1:1 on letter size paper

Dimensions shown below are in:
millimeters

Part Weight per unit (gram): 0.034



NOTES: UNLESS OTHERWISE SPECIFIED

- A) ALL DIMENSIONS ARE IN MILLIMETERS.
- B) NO JEDEC REGISTRATION REFERENCE AS OF JULY 1999.
- C) BALL CONFIGURATION TABLE

TERMINAL	DESIGNATION
A1,A2,A3,F1,F2,F3	DRAIN
B1	GATE 1
B2,B3,C1,C2,C3	SOURCE 1
D1	GATE 2
D2,D3,E1,E2,E3	SOURCE 2