

Ordering Information for Discrete Products

The Discrete Division "*Discrete POWER and Signal Technologies*" offers 3 product families. They are: **Diodes, Transistors** and **DMOS**. These families can be purchased in bulk or tape and reel/ammo packaging. We offer the most popular style of packaging for each family of products as "standard". A variety of non-standard options are also available. You will find each of these options outlined in the flow code section.

The flow codes listed in this table are specially selected as the most popular. Please contact your nearest Fairchild Semiconductor representative when ordering devices with "flow codes."

DMOS products are available in surface mount and through hole packaging. All our surface mount packages come standard as tape and reel. Our taping meets the EIA 481 specification and our carrier tape is "conductive cavity".

Through-hole DMOS

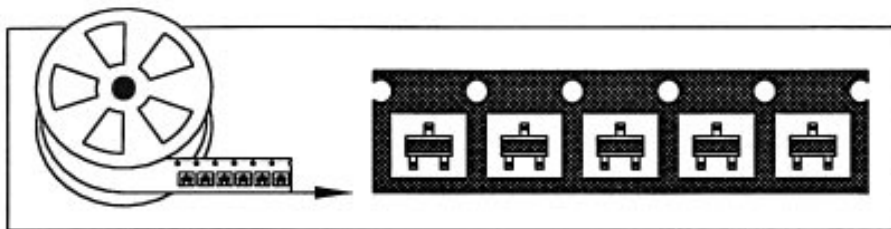
- 1 Radial tape and reel (TO-92)
- 2 Radial tape and ammo (TO-92)
- 3 Bulk with or without leadform in a box (TO-92)
- 4 Bulk in a tube, 45 pcs. per tube (TO-220)

Surface-mount DMOS

- 1 Conductive cavity carrier tape on 7" or 13" reels (SO-8, SOT-23, SOT-223, TO-263)
- 2 Bulk in a tube, 45 pcs. per tube (TO-263)

Ordering information and Flow code options:

- 1 Surface-mount packages (SOT-23/TO-236/SUPERSOT™-3)
Part automatically comes 3K per reel - 7" reel. No flow code needed.



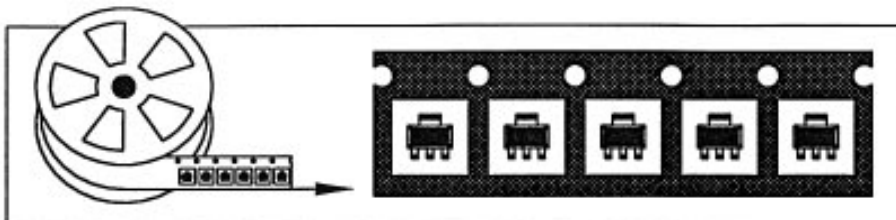
Flow code	Qty.	Reel size	Tape size	Tape Style	Notes
L99Z	3K	7" dia.	8mm wide	Conductive cavity	No marking on device
D87Z	10K	13" dia.	8mm wide	Conductive cavity	
S62Z	3K	bag	none	none	Bulk

Ordering Information (continued)

Ordering information and Flow code options:

2 Surface-mount packages (SOT-223/TO-261)

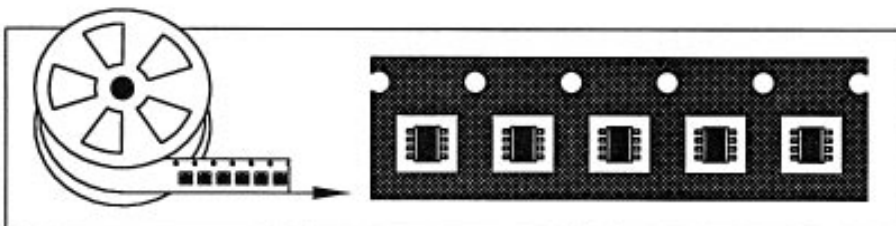
Part automatically comes 2.5K per reel - 13" reel. No flow code needed.



Flow code	Qty.	Reel size	Tape size	Tape Style	Notes
L99Z	2.5K	13" dia.	12mm wide	Conductive cavity	No marking on device
D84Z	500pc	7" dia.	12mm wide	Conductive cavity	
S62Z	2.5K	Bag	None	None	Bulk

3 Surface-mount packages (SO-8/SOT-8)

Part automatically comes 2.5K per reel - 13" reel. No flow code needed.



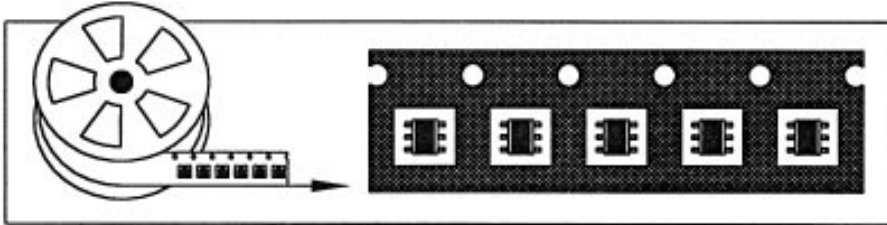
Flow code	Qty.	Reel size	Tape size	Tape Style	Notes
L99Z	2.5K	13" dia.	12mm wide	Conductive cavity	No marking on device
D84Z	500	7" dia.	12mm wide	Conductive cavity	
L86Z	98pc	Rail	Note: for Jfet, qty is 100 pc per rail.		
S62Z	495pc	Bag	None	None	Bulk

Ordering Information (continued)

Ordering information and Flow code options:

4 Surface-mount packages (SOT-6)

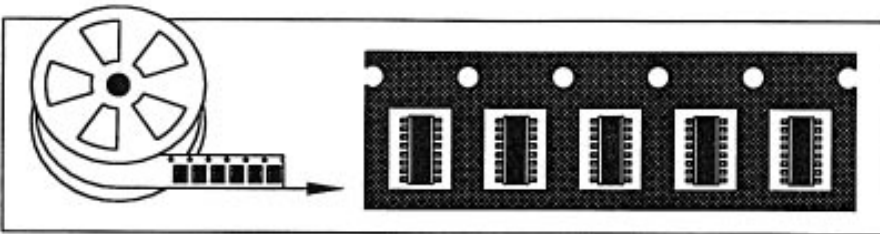
Part automatically comes 2.5K per reel - 13" reel. No flow code needed.



Flow code	Qty.	Reel size	Tape size	Tape Style	Notes
L99Z	2.5K	13" dia.	12mm wide	Conductive cavity	No marking on device
D84Z	500pc	7" dia.	12mm wide	Conductive cavity	
S62Z	2.5K	Bag	None	None	Bulk

5 Surface-mount package (SO-16)

Part automatically comes 2.5K per reel - 13" reel. No flow code needed.



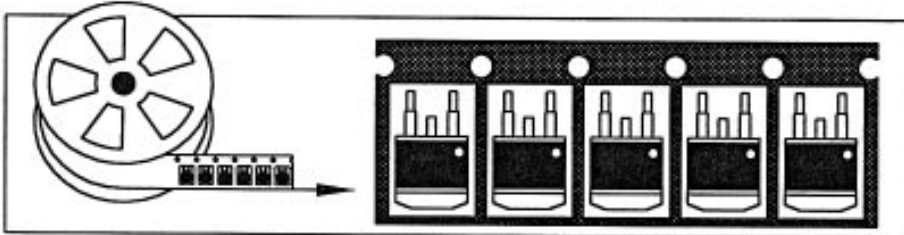
Flow code	Qty.	Reel size	Tape size	Tape Style	Notes
L99Z	2.5K	13" dia.	16mm wide	Conductive cavity	No marking on device
D84Z	500pc	7" dia.	16mm wide	Conductive cavity	
L86Z	100pc	Rail			
S62Z	2.5K	Bag	None	None	Bulk

Ordering Information (continued)

Ordering information and Flow code options:

6 Surface-mount package (TO-263AB)

Part automatically comes 2.5K per reel - 13" reel. No flow code needed.

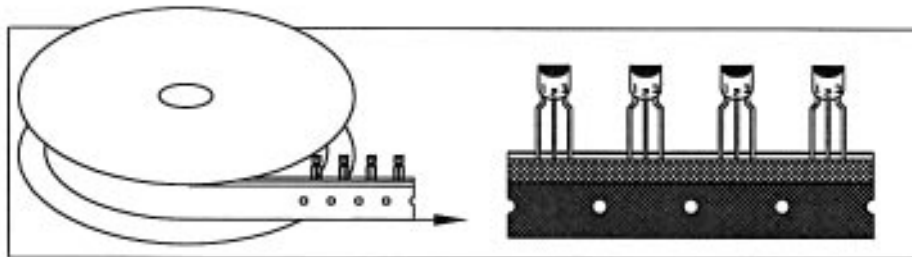


Flowcode	Qty.	Reel size	Tape size	Tape Style	Notes
L99Z	800pc	13" dia.	24mm wide	Conductive cavity	No marking on device
L86Z	Tube/Rail	45pcs per. rail			
S62Z	800pc	Bag	None	None	Bulk

7 TO-92/TO-226

Product **automatically comes in bulk** - 2K per box. No flow code needed.

Radial tape and reel



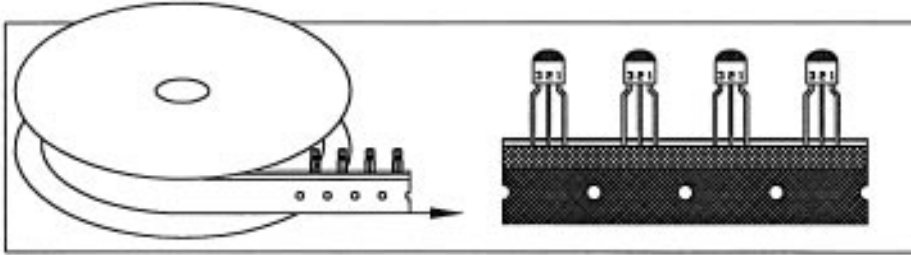
Flowcode	Qty.	Reel size	Tape size	Tape Style	Notes
D26Z	2K	13" dia.	18mm wide	Radial	Round side toward adhesive. (Equiv. to RA)

Ordering Information (continued)

Ordering information and Flow code options:

8 TO-92/TO-226

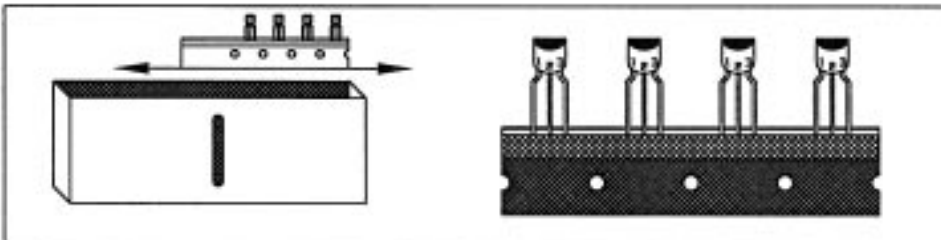
Product **automatically comes in bulk** - 2K per box. No flow code needed.
Radial tape and reel



Flowcode	Qty.	Reel size	Tape size	Tape Style	Notes
D27Z	2K	13" dia.	18mm wide	Radial	Flat side toward adhesive. (Equiv. to RE)

9 TO-92/TO-226

Radial tape and ammo

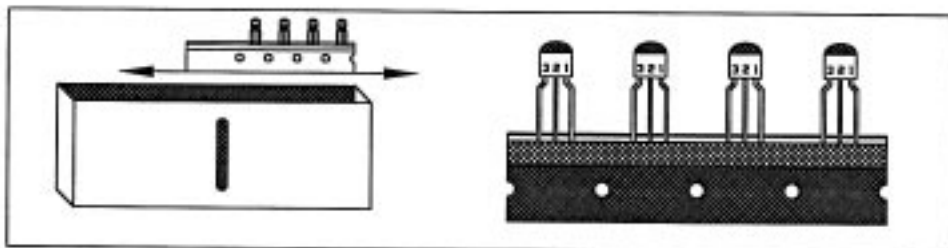


Flowcode	Qty.	Box size	Tape size	Tape Style	Notes
D75Z	2K	12 3/4 x 6 x 1 3/4	18mm	Radial	Round side toward adhesive. (Equiv. to RP). Options D26Z, D28Z, D10Z, D11Z can all be pulled from this box. Option dependant on which corner the product is pulled from

Ordering Information (continued)

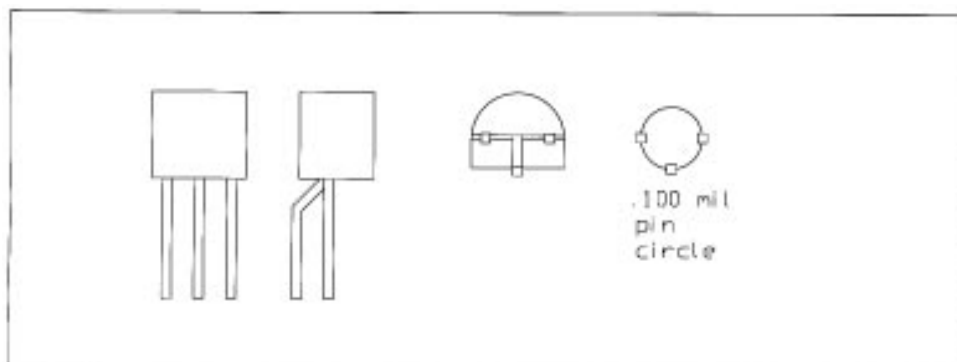
Ordering information and Flow code options:

10 TO-92/TO-226
Radial tape and ammo



Flow code	Qty.	Box size	Tape size	Tape Style	Notes
D74Z	2K	12 3/4 x 6 x 1 3/4	18mm	Radial	Round side toward adhesive. (Equiv. to RP). Options D27Z, D29Z, D81Z, D89Z can all be pulled from this box. Option dependant on which corner the product is pulled from.

11 Leadforming TO-92/TO-226

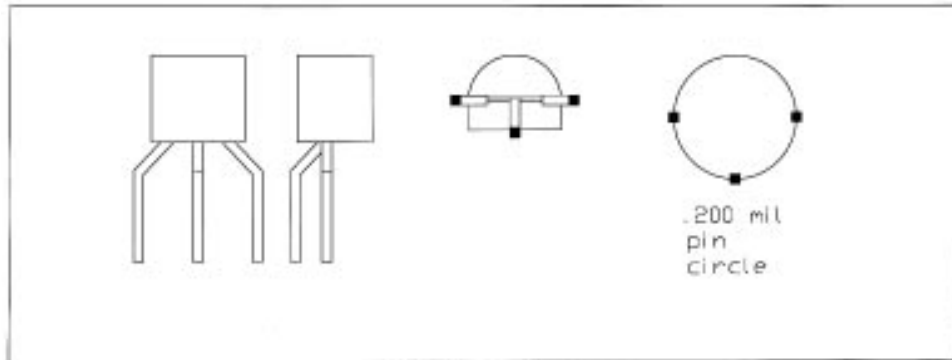


Flow code	Qty.	Notes
J18Z	2K	Center lead toward the flat side to form TO-18 pin circle - .100 mils.

Ordering Information (continued)

Ordering information and Flow code options:

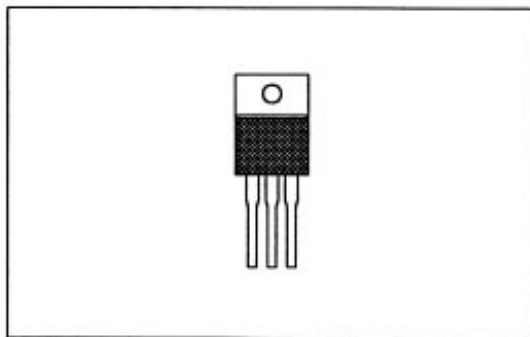
12 Leadforming TO-92/TO-226



Flowcode	Qty.	Notes
J05Z	2K	Center lead toward the flat side to form TO-5 pin circle - .200 mils.

13 TO-220

Product comes in bulk - order increments of 45pc.



Flowcode	Qty.	Notes
J69Z	45	Center lead toward front to form .200 mil pin circle.