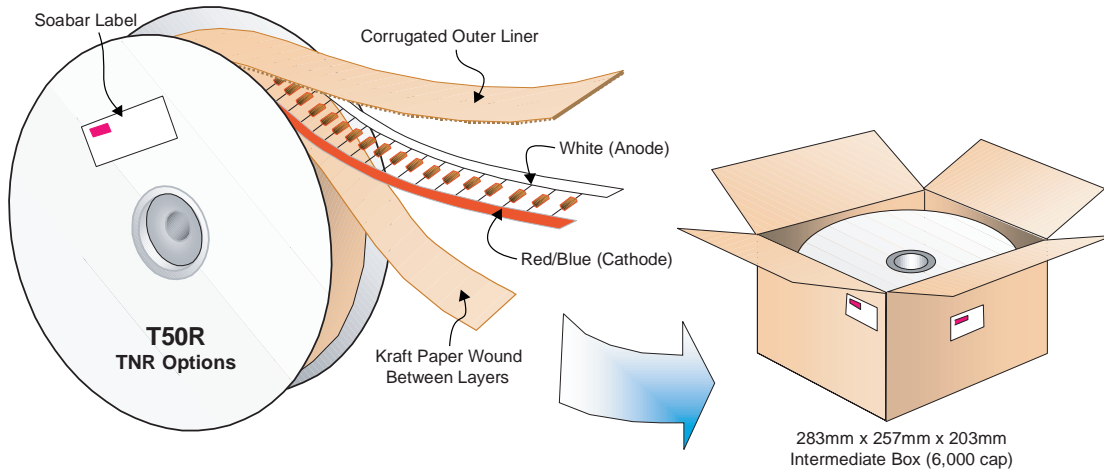


DO-41 Zener Diode Tape and Reel Data



DO-41 Zener Diode Packaging Configuration: Figure 1.0



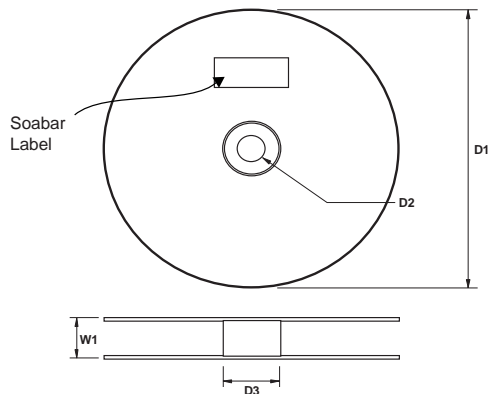
DO-41 Zener Diode Packaging Information Table : Figure 2.0

DO-41 Packaging Information			
Packaging Option	T50R	T50A	Standard (no flow code)
Packaging type	TNR	Ammo	Bag
Qty per Reel/Tube/Bag	3,000	3,000	250
Reel Size (inch diameter)	10.5	-	-
Inside Tape Spacing (mm)	52	52	-
Int Box Dimension (mm)	254x79x79	254x79x79	279x133x108
Max qty per Box	6,000	30,000	5,000
Weight per unit (gm)	0.320	0.320	0.320
Weight per Reel (kg)	1.356	1.077	-
Note/Comments			Bulk

Soabar Label sample

FAIRCHILD SEMICONDUCTOR		
TYPE	IN47xxA	P.O. No.
REV	A2	MARK
PKG		BLK-BRN
QTY	3,000	PART No.
Q.C.		EC No.
		M.O. No.
		OX5046F035
		DATE
		D9903
MFD. UNDER US PAT 3.025.589 & OTHER US PATS & APPLICATIONS		

DO-41 Zener Diode Reel Dimensions: Figure 3.0



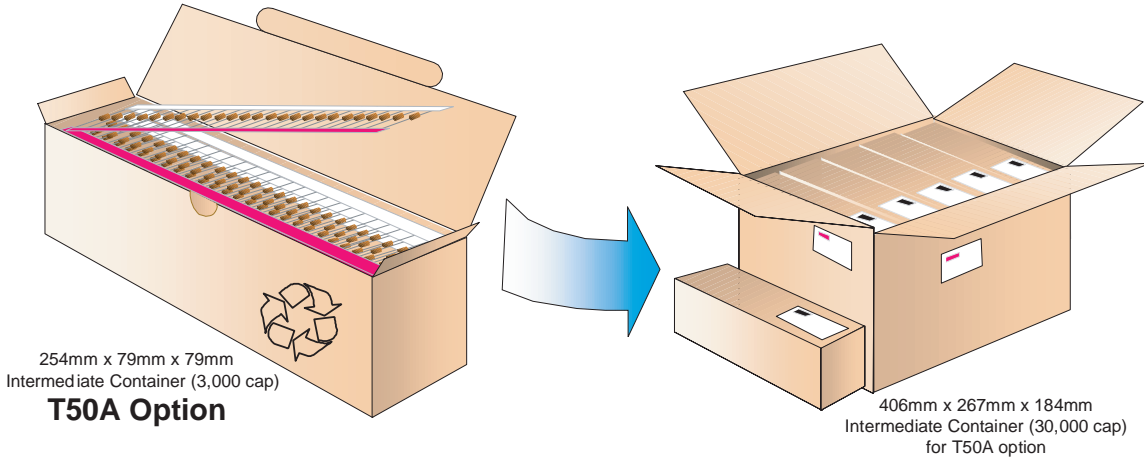
REEL DIMENSIONS

ITEM DESCRIPTION	SYMBOL	MINIMUM	MAXIMUM
Reel Diameter	D1	10.375	10.625
Arbor Hole Diameter (Standard)	D2	1.245	1.255
Core Diameter	D3	3.190	3.310
Flange to Flange Outer Width	W1		3.400

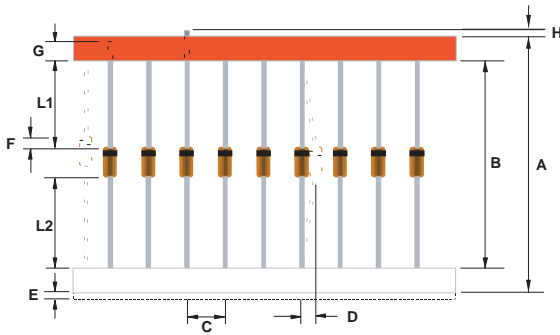
Note: All Dimensions are in inches

DO-41 Zener Diode Tape and Ammo Data

DO-41 Zener Diode Ammo Packing Configuration: Figure 4.0



DO-41 Zener Diode Taping Dimension: Figure 5.0



TAPING DIMENSIONS

	INCH	MM	MILS	NOTES
A	2.520 +0.066/ -0.027	64.00 +1.69/ -0.69	2519 +66.5/ -27.0	Overall width
B	2.047±0.027	52 ±0.69	2047±27	Inside Tape Spacing
C	0.200 ±0.0157	5.08 ±0.40	200 ±15.7	Component Pitch
D	0.047(max)	1.2(max)	47(max)	Component Misalignment
E	0.022(max)	0.55(max)	22(max)	Tape Mismatch
F	0.027(max)	±0.69	±27	Units in line w/ one another
G	0.126(min)	3.2(min)	126(min)	Lead amount between tapes
H	0	0	0	Lead amount beyond tapes
L1-L2	±0.027	±0.69	±27	Delta between two leads

DO-41 Diode Bulk Packing Configuration: Figure 6.0

