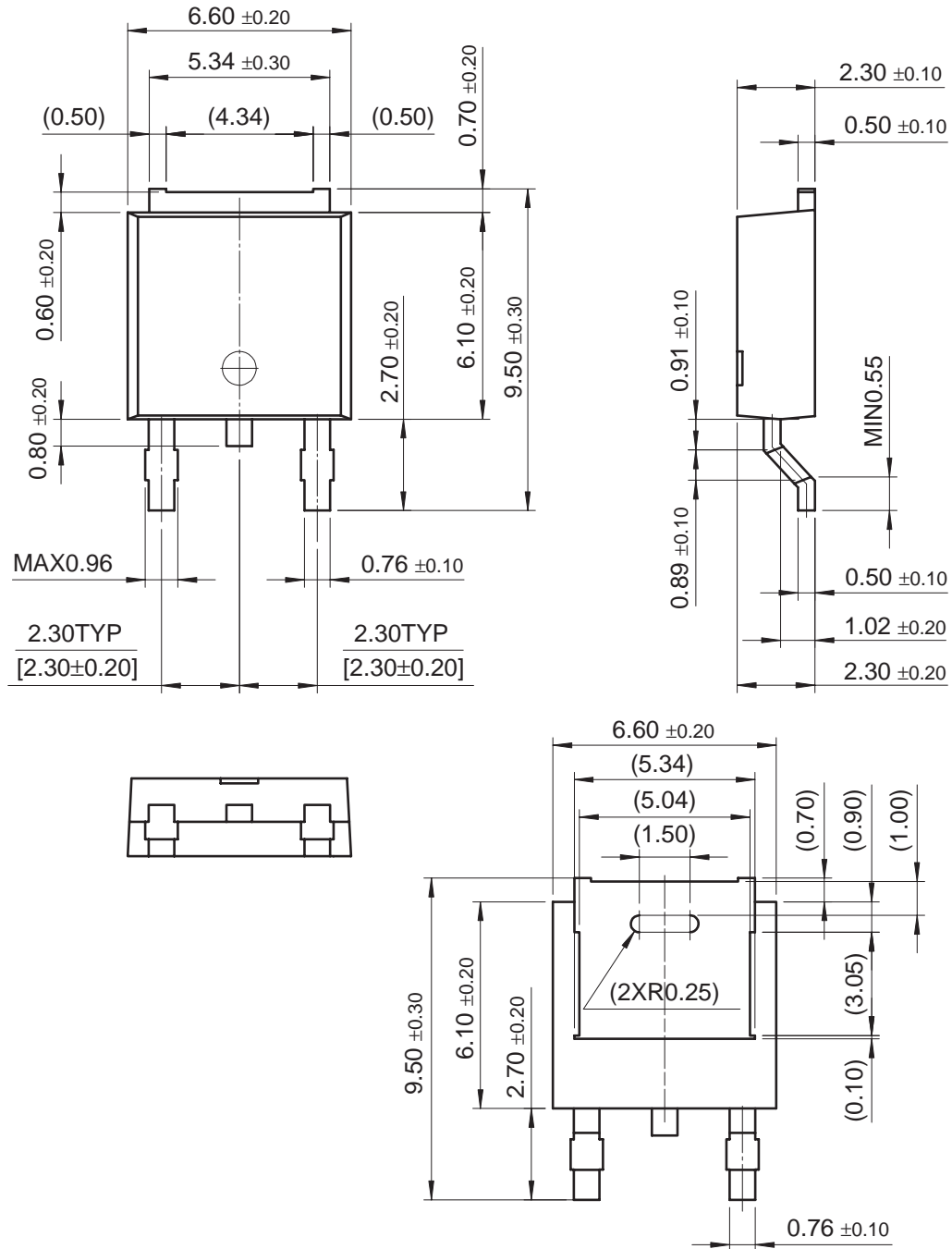


DPAK Package Dimensions



DPAK (FS PKG CODE AA)



Dimensions in Millimeters