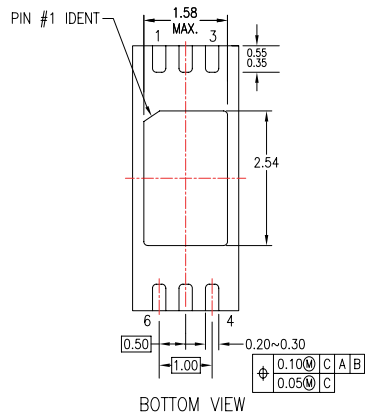
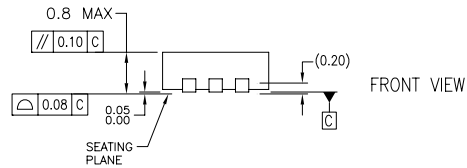
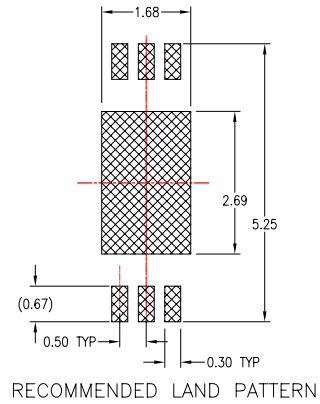
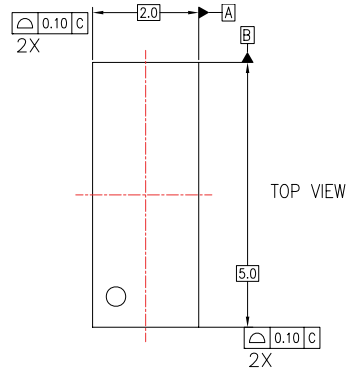


MLP 2 x 5-6L Common Drain Package Dimensions



MLP 2 x 5-6L Common Drain



NOTES:

- A. NON-STANDARD JEDEC REGISTERED MOLDED PACKAGE OUTLINE.
- B. DIMENSIONS ARE IN MILLIMETERS.
- C. DIMENSIONS AND TOLERANCES PER ASME Y14.5M, 1994

MLP06HrevA