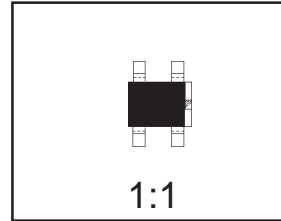
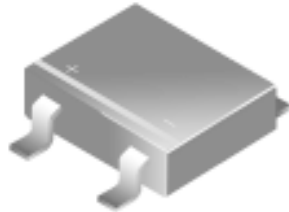


# SDIP Package Dimensions



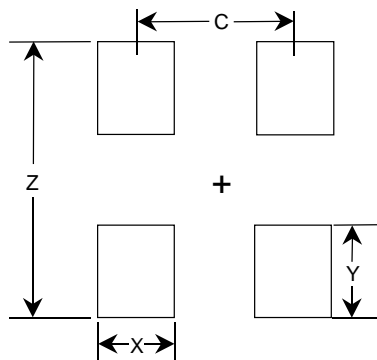
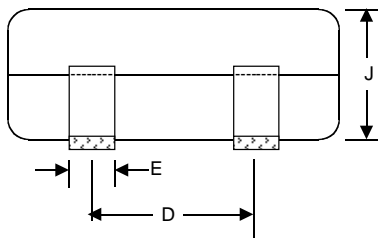
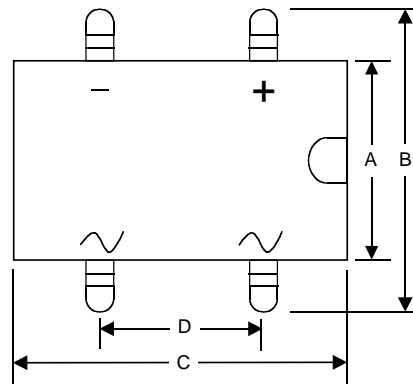
## SDIP (FS PKG Code R4)



Scale 1:1 on letter size paper

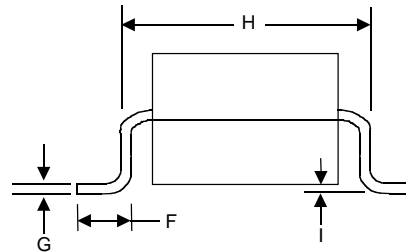
Dimensions shown below are in:  
inches [millimeters]

Part Weight per unit (gram): 0.38



Minimum Recommended Land Pattern

DIM	MIN (in)	MAX (in)	MIN (mm)	MAX (mm)
A	.245	.255	6.223	6.477
B	.360	.410	9.144	10.41
C	.320	.335	8.128	8.509
D	.195	.205	4.953	5.207
E	.038	.042	0.965	1.067
F	.040	.060	1.016	1.524
G	Typ	.009	Typ	0.229
H	.290	.310	7.366	7.874
I	.004	.008	0.0102	0.203
J	115	135	2.921	3.429



Dim	SDIP		SOIC - 4	
	Min	Max	Min	Max
Z	10.06	10.26	6.71	6.91
X	1.2	1.4	0.76	0.96
Y	1.52 (TYP)		0.58	0.78
C	5 (TYP)		2.47	2.67