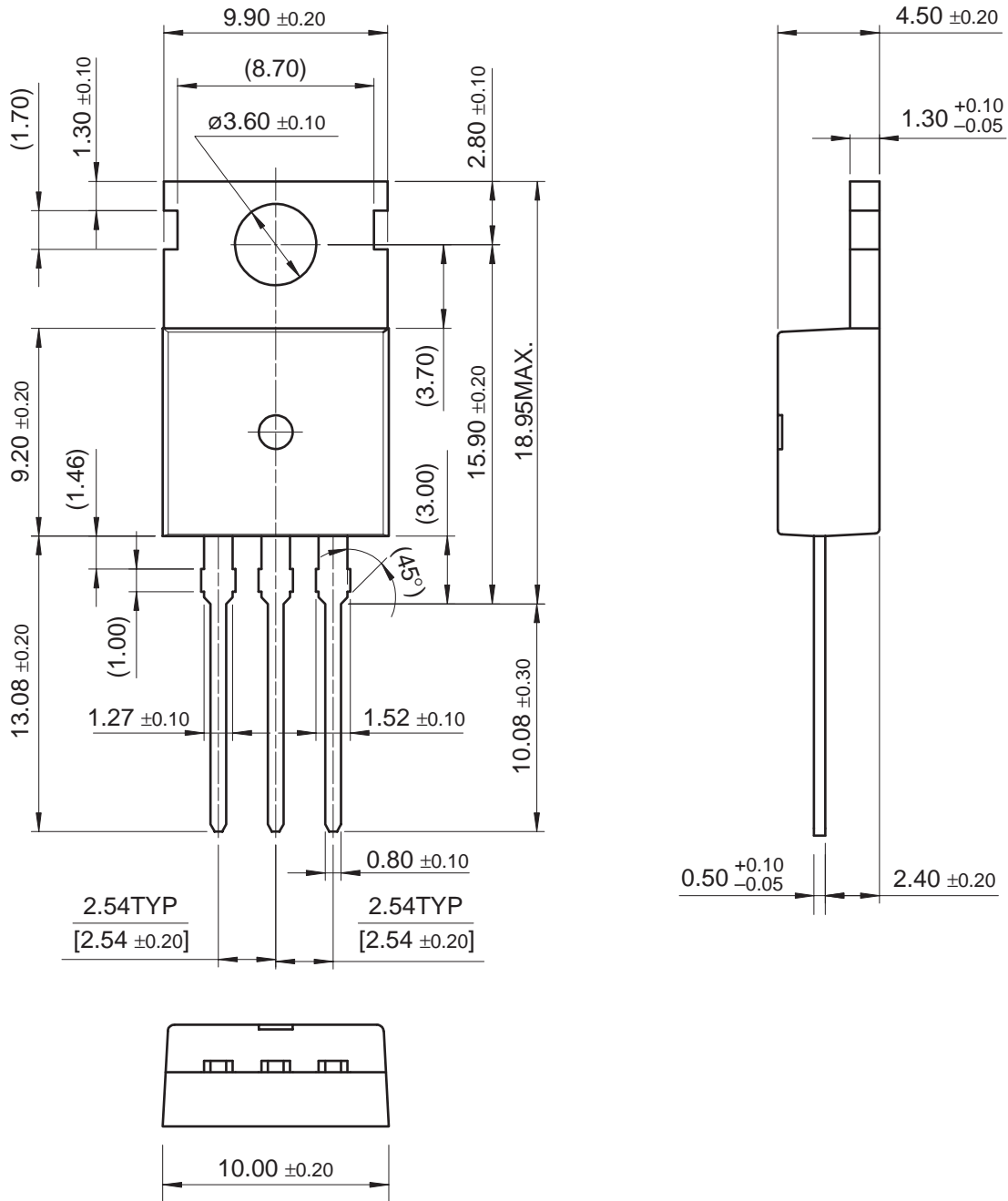


TO-220 Package Dimensions



TO-220 (FS PKG CODE AE)



Dimensions in Millimeters

August 1999, Rev B