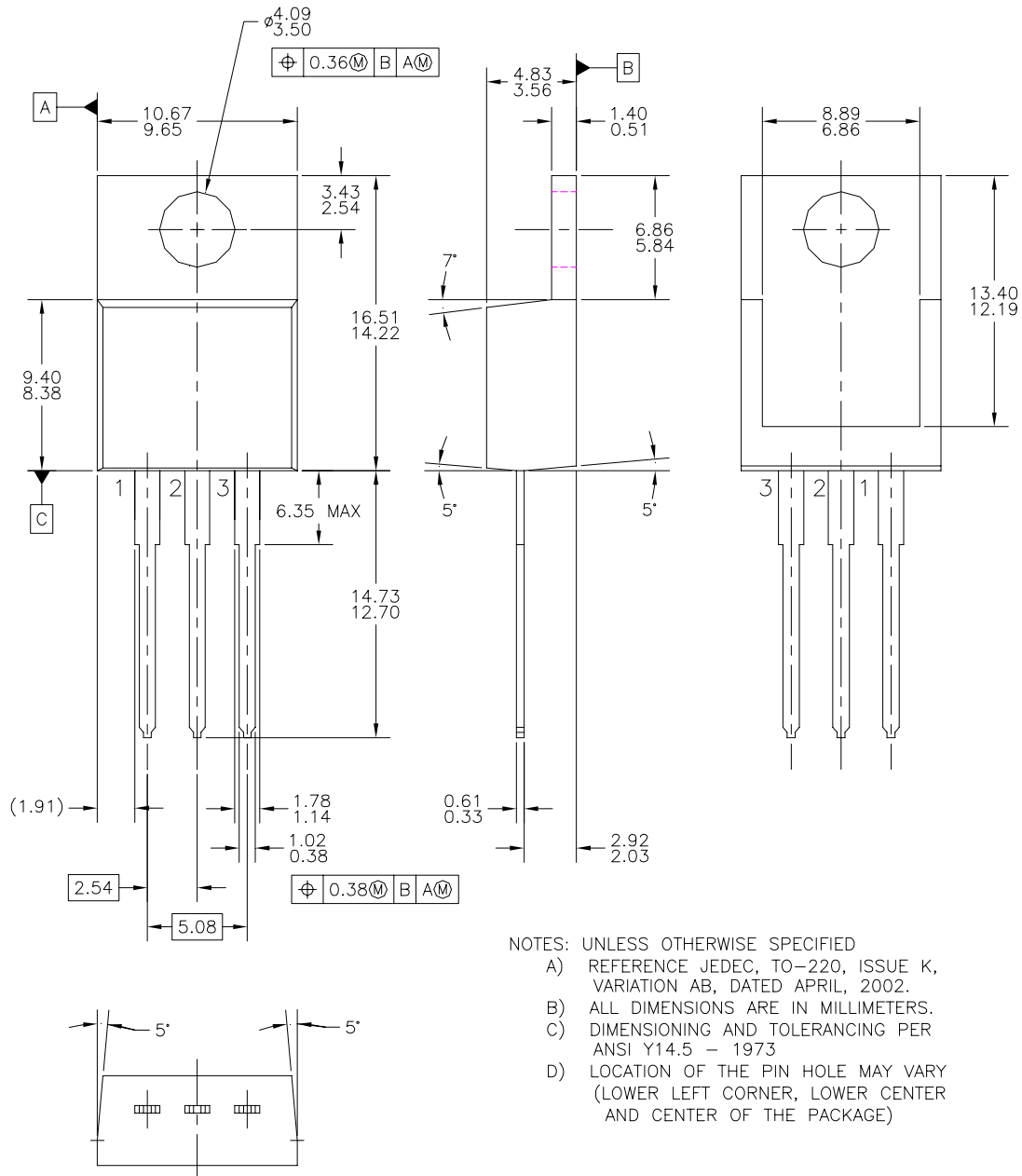


# TO-220 Package Dimensions



TO220B03REVD