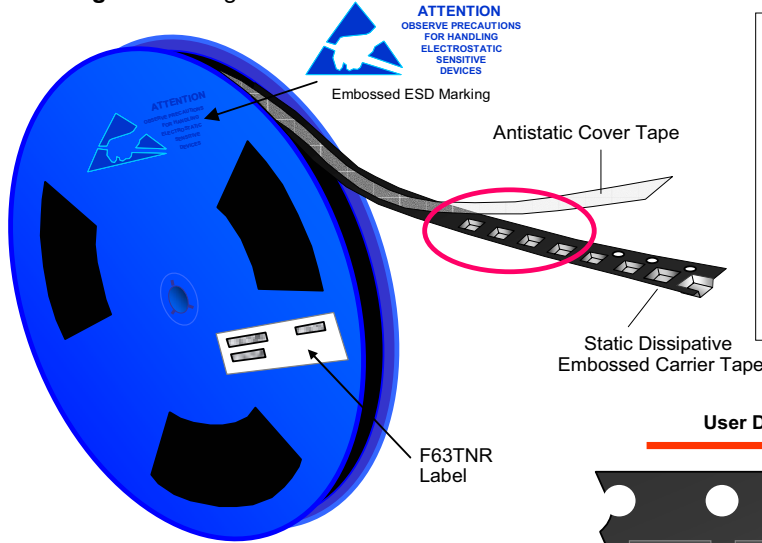


TO-263AB/D²PAK Tape and Reel Data

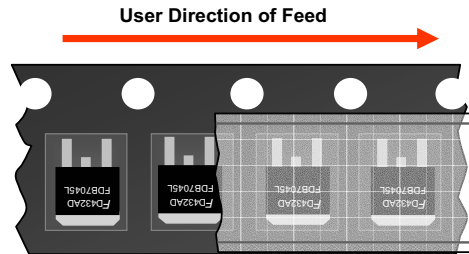


TO-263AB Packaging Configuration: Figure 1.0

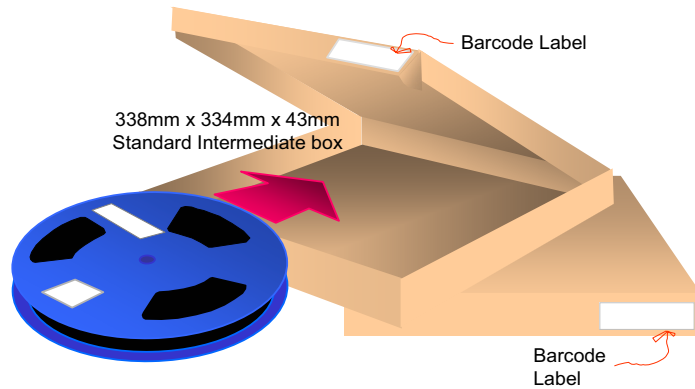


Packaging Description:
 TO-263AB parts are shipped in tape. The carrier tape is made from a dissipative (carbon filled) polycarbonate resin. The cover tape is a multilayer film (Heat Activated Adhesive in nature) primarily composed of polyester film, adhesive layer, sealant, and anti-static sprayed agent. These reeled parts in standard option are shipped with 800 units per 13" or 330mm diameter reel. The reels are dark blue in color and is made of polystyrene plastic (anti-static coated). This and other option are further described in the Packaging Information table.
 These full reels are individually barcode labeled, and placed inside a standard intermediate box (illustrated in figure 1.0) made of recyclable corrugated brown paper. One box contains one reel maximum. And these boxes are placed inside a barcode labeled shipping box which comes in different sizes depending on the number of parts shipped.

TO-263AB Packaging Information		
Packaging Option	Standard (no flow code)	L86Z
Packaging type	TNR	Tube
Qty per Reel/Tube/Bag	800	50
Reel Size	13" Dia	N/A
Box Dimension (mm)	338x334x43	530x130x83
Max qty per Box	800	800
Weight per unit (gm)	1.4378	1.4378
Weight per Reel	1.6050	N/A
Note/Comments		



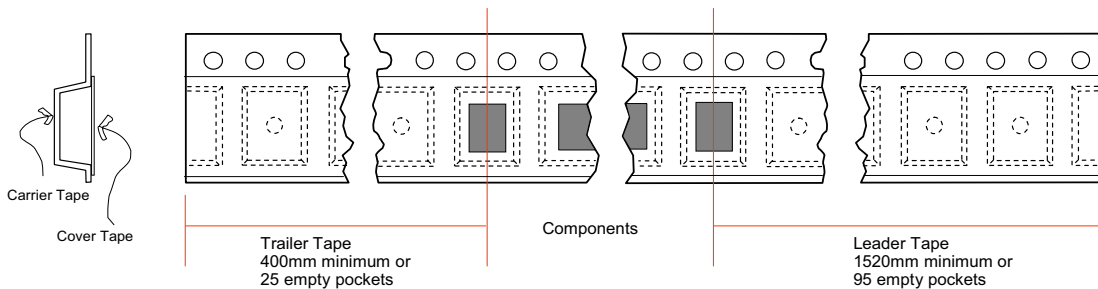
TO-263AB Unit Orientation



Barcode Label sample

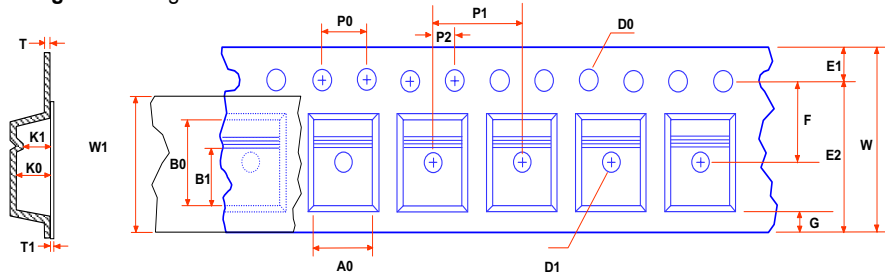
LOT: CBVK741B019 QTY: 800
CBVK741B019 3000
 PART ID: FDB6320L SPEC:
FDB6320L
 D/C1: D9842AB QTY1: SPEC REV:
 D/C2: QTY2: CPN:
 FAIRCHILD SEMICONDUCTOR CORPORATION (F63TNR)

TO-263AB Tape Leader and Trailer Configuration: Figure 2.0



TO-263AB/D²PAK Tape and Reel Data, continued

TO-263AB Embossed Carrier Tape Configuration: Figure 3.0



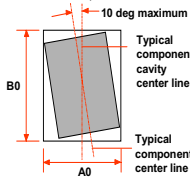
Dimensions are in millimeter

Pkg type	A0	B0	B1	W	D0	D1	E1	E2	F	P1	P2	P0	K0	K1	T	G	W1	T1
TO263AB (24mm)	10.60 +0.10	16.50 +0.10	10.40 +0.10	24.0 +0.30/-0.10	1.55 +0.05	1.50 min	1.75 +0.10	22.25 min	11.50 +0.10	16.00 +0.10	2.00 +0.10	4.00 +0.10	4.80 +0.10	3.50 +0.10	0.40 +0.05	0.75 min	21.0 +0.30	0.06 +0.02

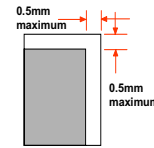
Notes: A0, B0, and K0 dimensions are determined with respect to the IEC/EIA/Jedec RS-481 rotational and lateral movement requirements (see sketches A, B, and C).



Sketch A (Side or Front Sectional View)
Component Rotation

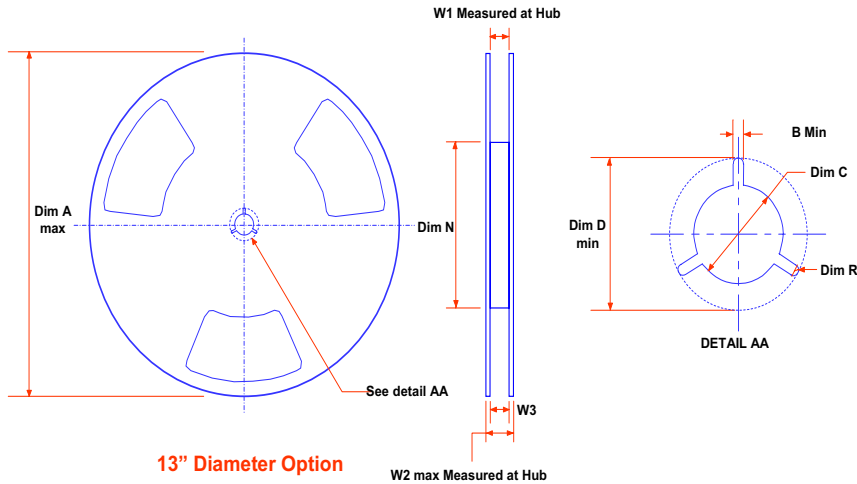


Sketch B (Top View)
Component Rotation



Sketch C (Top View)
Component lateral movement

TO-263AB Reel Configuration: Figure 4.0

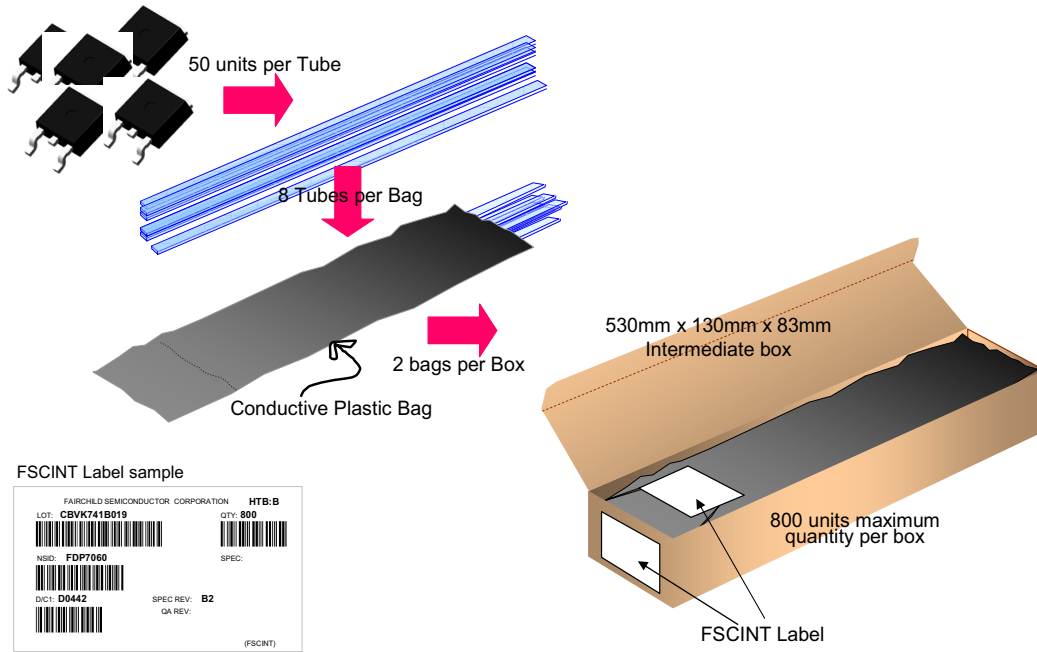


Dimensions are in inches and millimeters

Tape Size	Reel Option	Dim A	Dim B	Dim C	Dim D	Dim N	Dim R	Dim W1	Dim W2	Dim W3 (LSL-USL)
24mm	13" Dia	13.00 330	0.059 1.50	0.512 +0.020-0.008 13 +0.50/-0.20	0.795 20.20	4.00 100	0.5B 0.5B	0.961 +0.078-0.00 24.4 +2/-0	1.197 30.4	0.941-1.079 23.9-27.4

TO-263AB/D²PAK Tape and Reel Data, continued

TO-263AB Tube Packing Configuration: Figure 5.0



TO-263AB Tube Configuration: Figure 6.0

